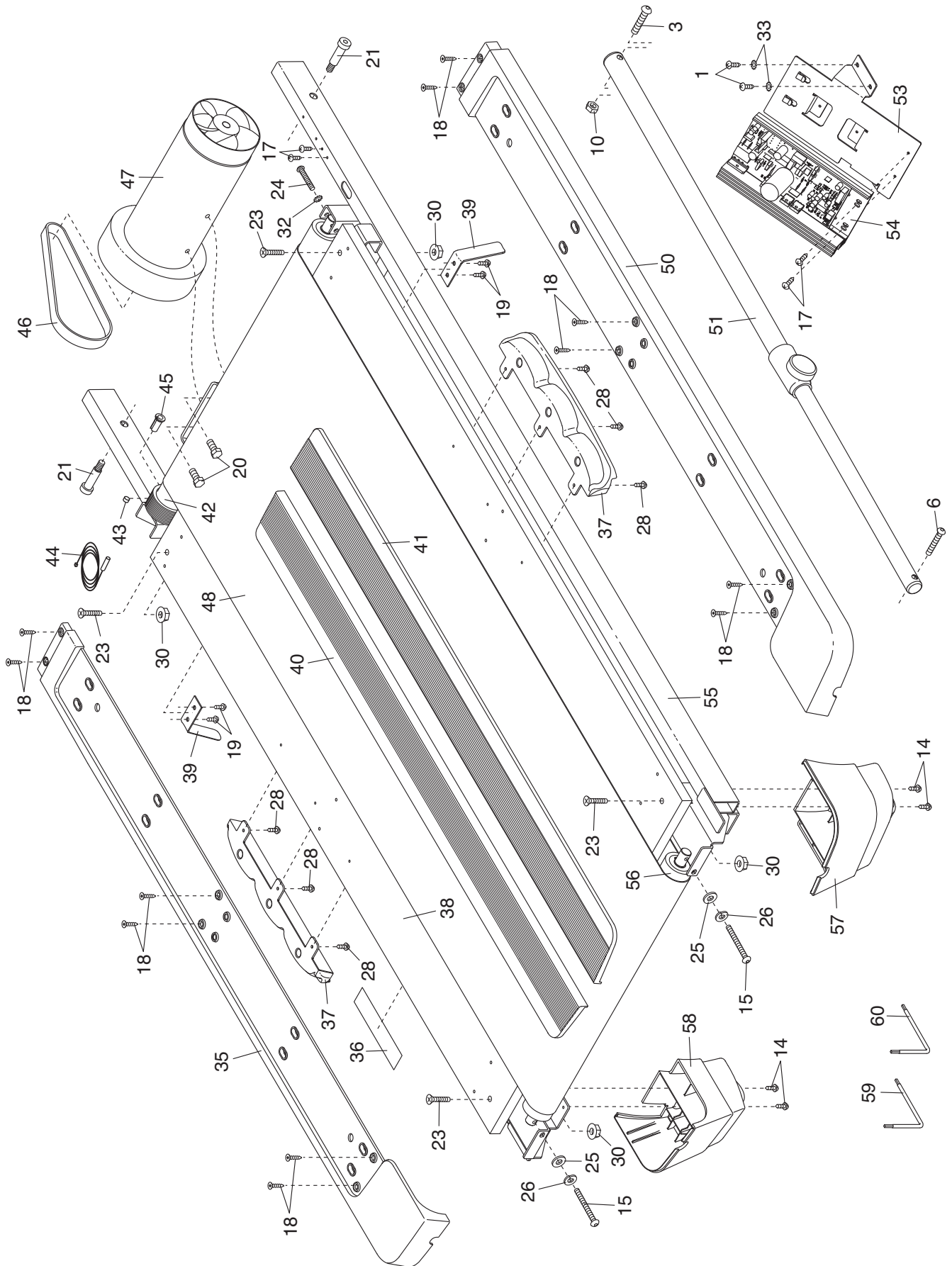


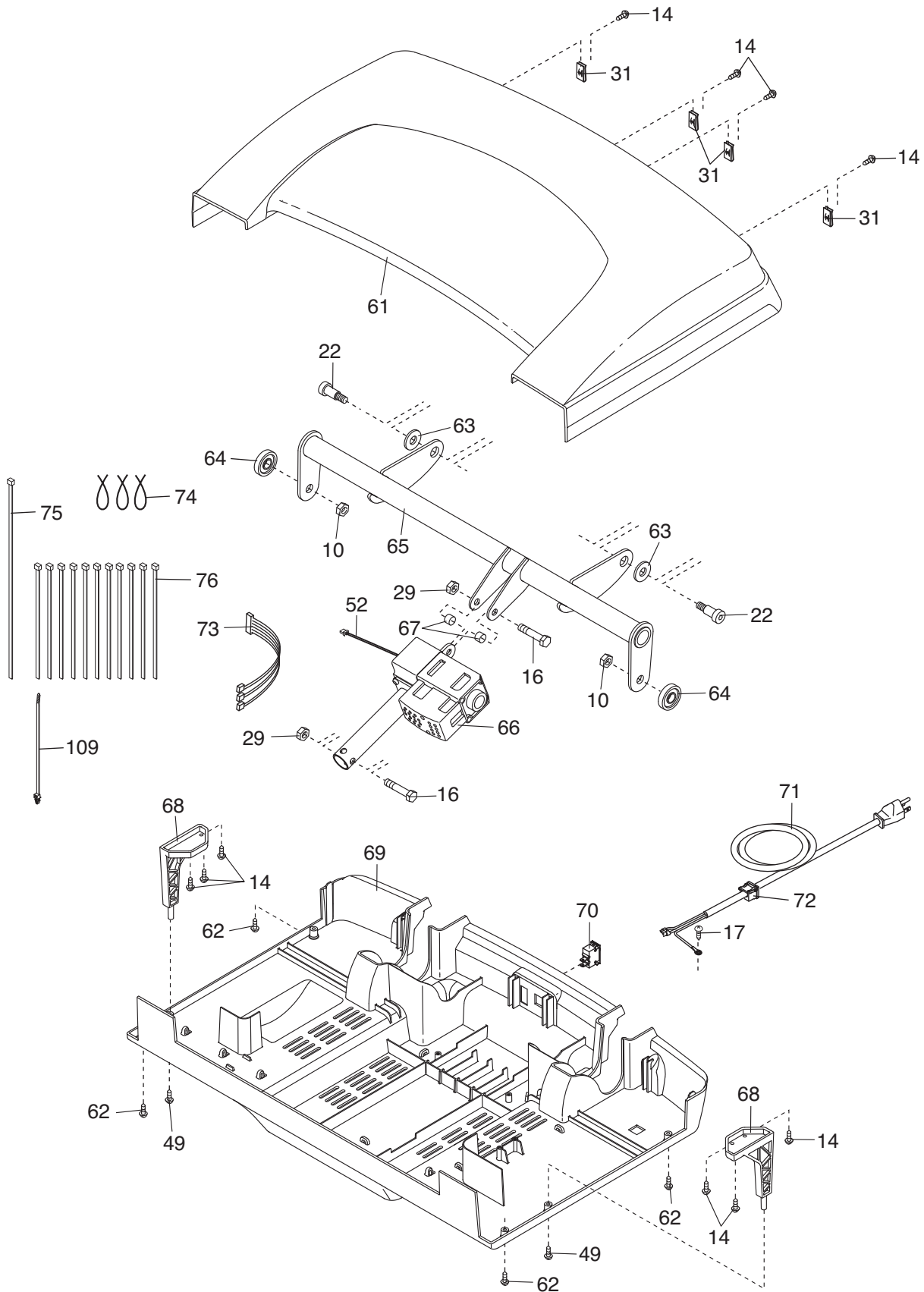
EXPLODED DRAWING A—Model No. HRTL08509.1

R0610A



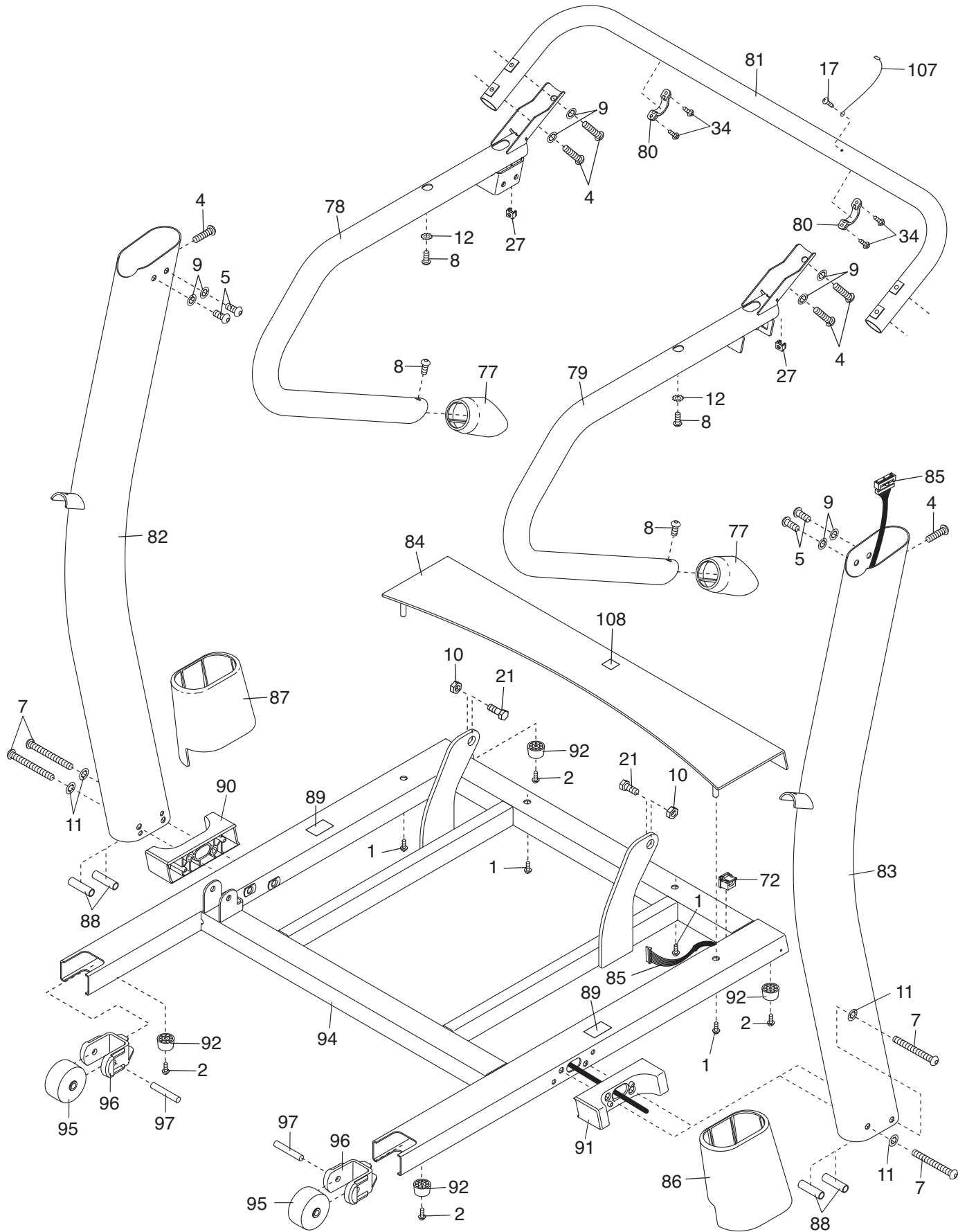
EXPLODED DRAWING B—Model No. HRTL08509.1

R0610A



EXPLODED DRAWING C—Model No. HRTL08509.1

R0610A



EXPLODED DRAWING D—Model No. HRTL08509.1

R0610A

