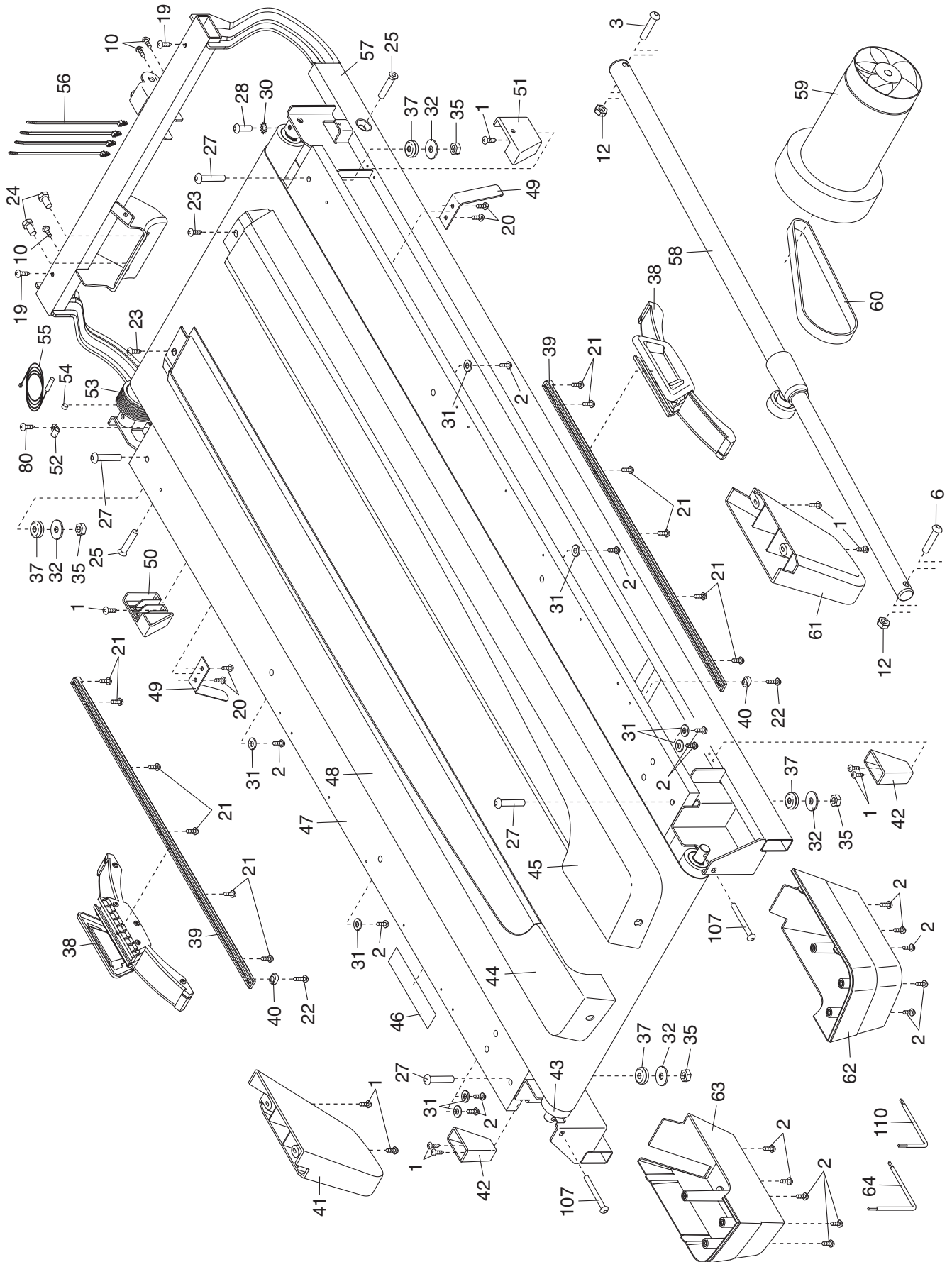


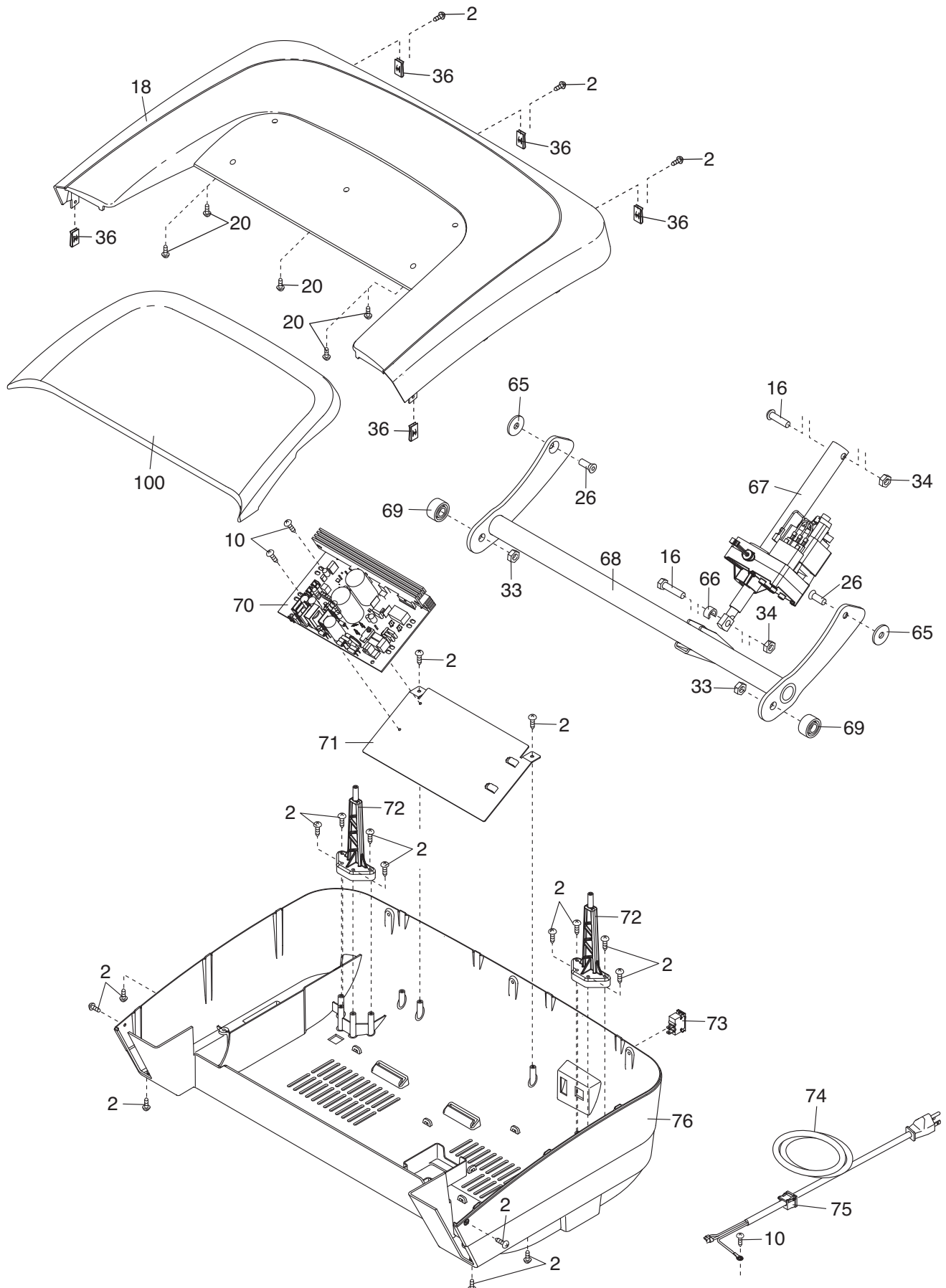
EXPLODED DRAWING A

Model No. HRTL11510.1 R0311A



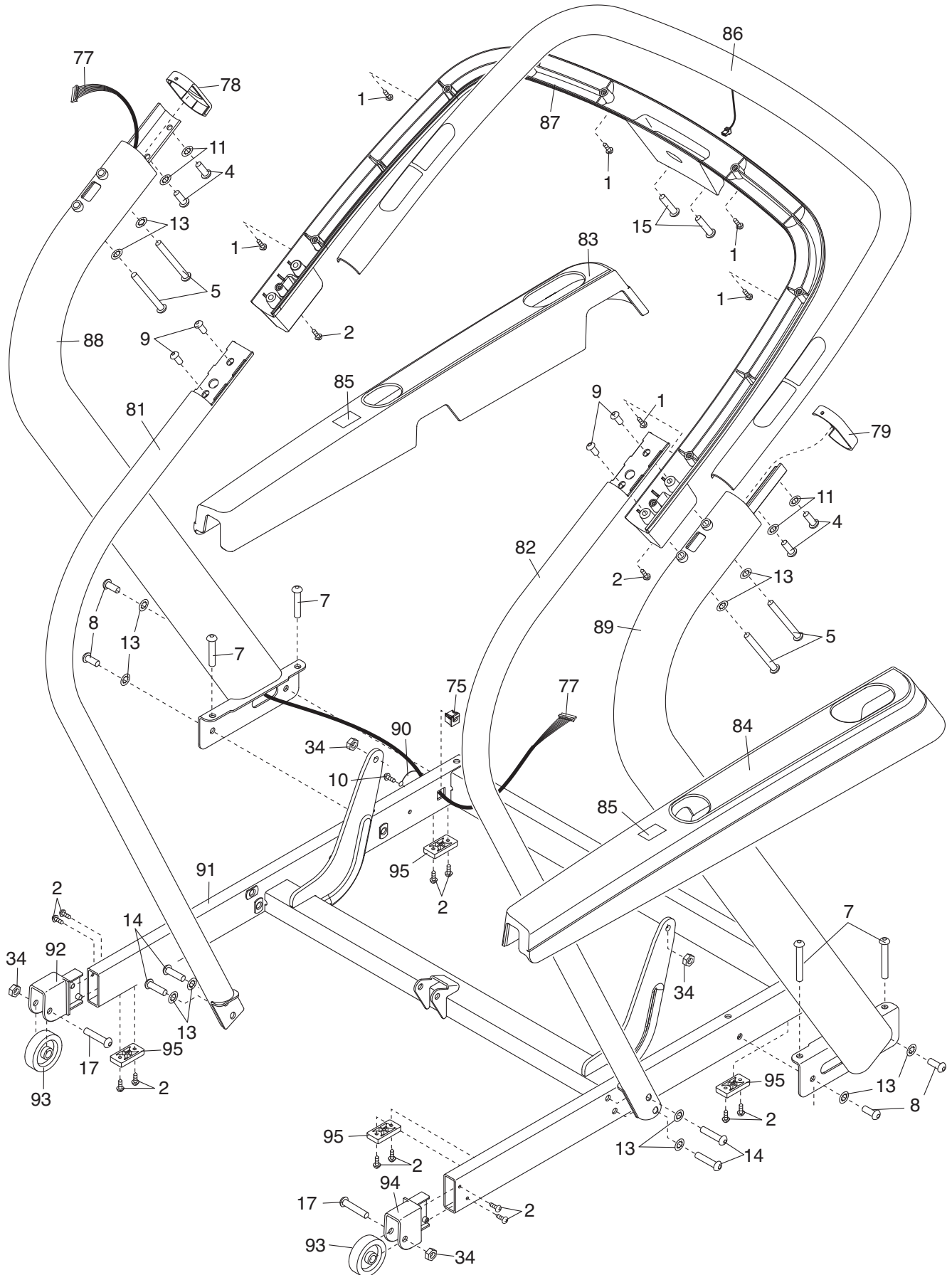
EXPLODED DRAWING B

Model No. HRTL11510.1 R0311A



EXPLODED DRAWING C

Model No. HRTL11510.1 R0311A



EXPLODED DRAWING D

Model No. HRTL11510.1 R0311A

