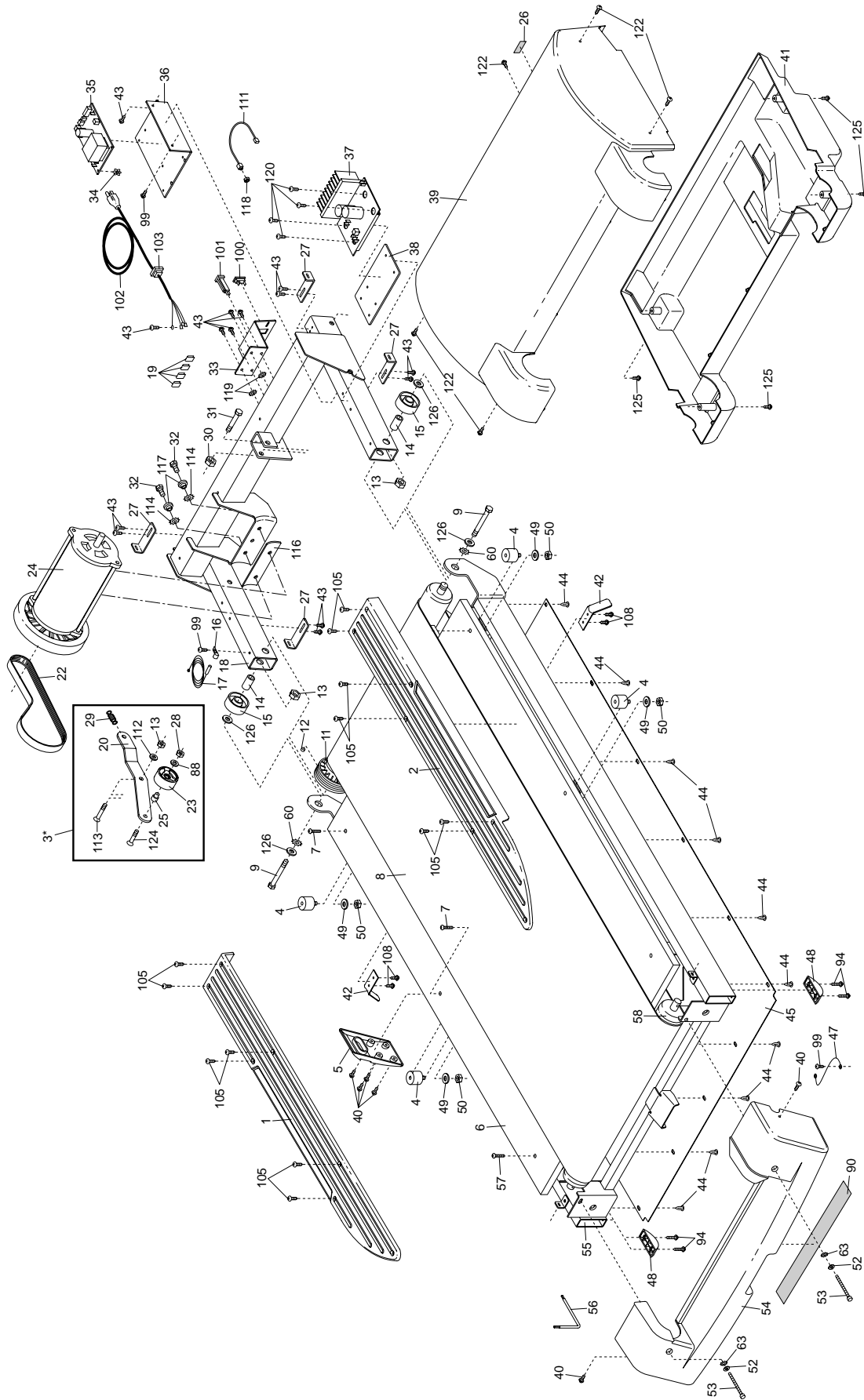


EXPLODED DRAWING—Model No. HRTL19910

R1101A



To identify the parts shown on this EXPLODED DRAWING, refer to the PART LIST on page 30.

