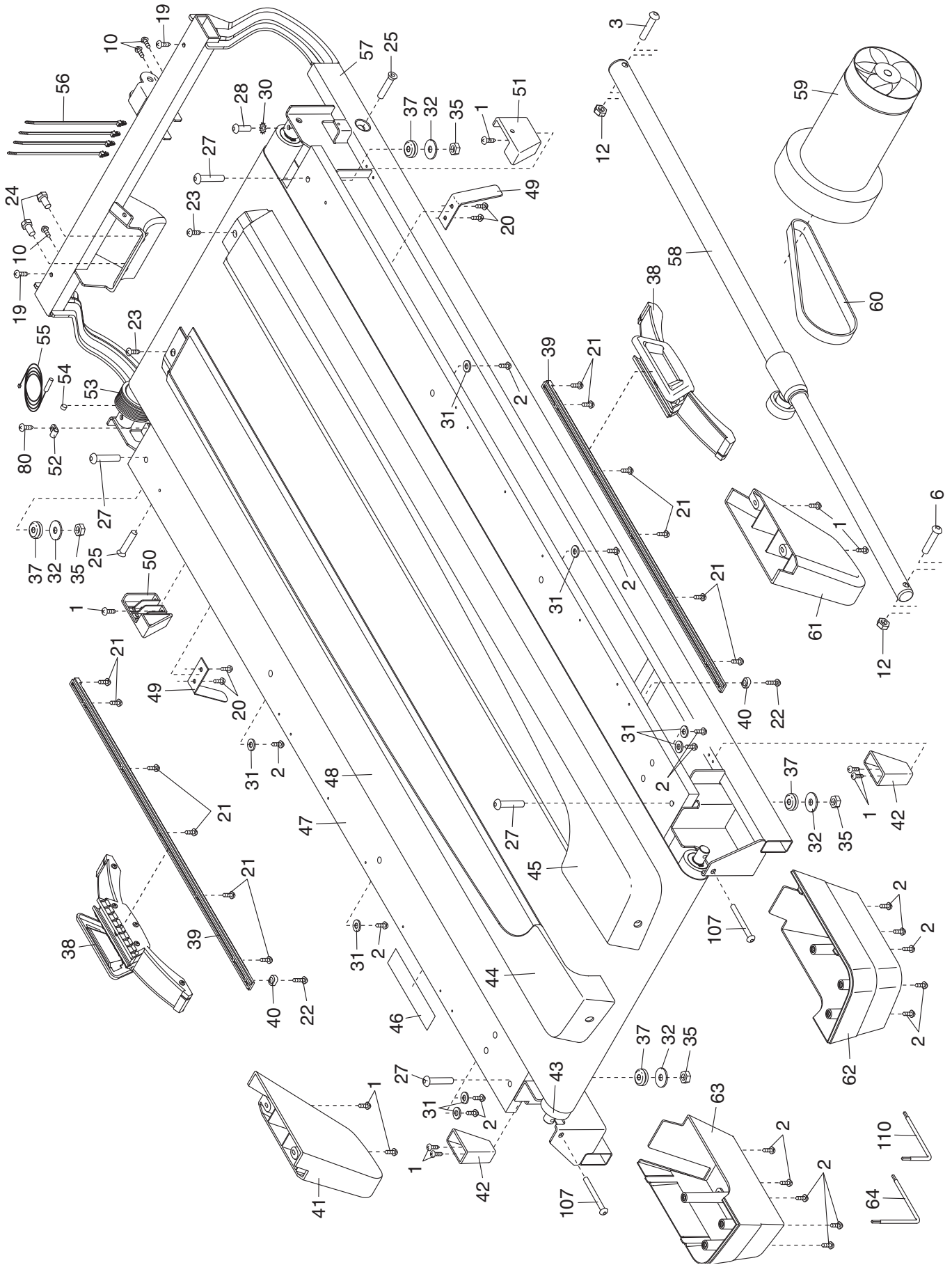


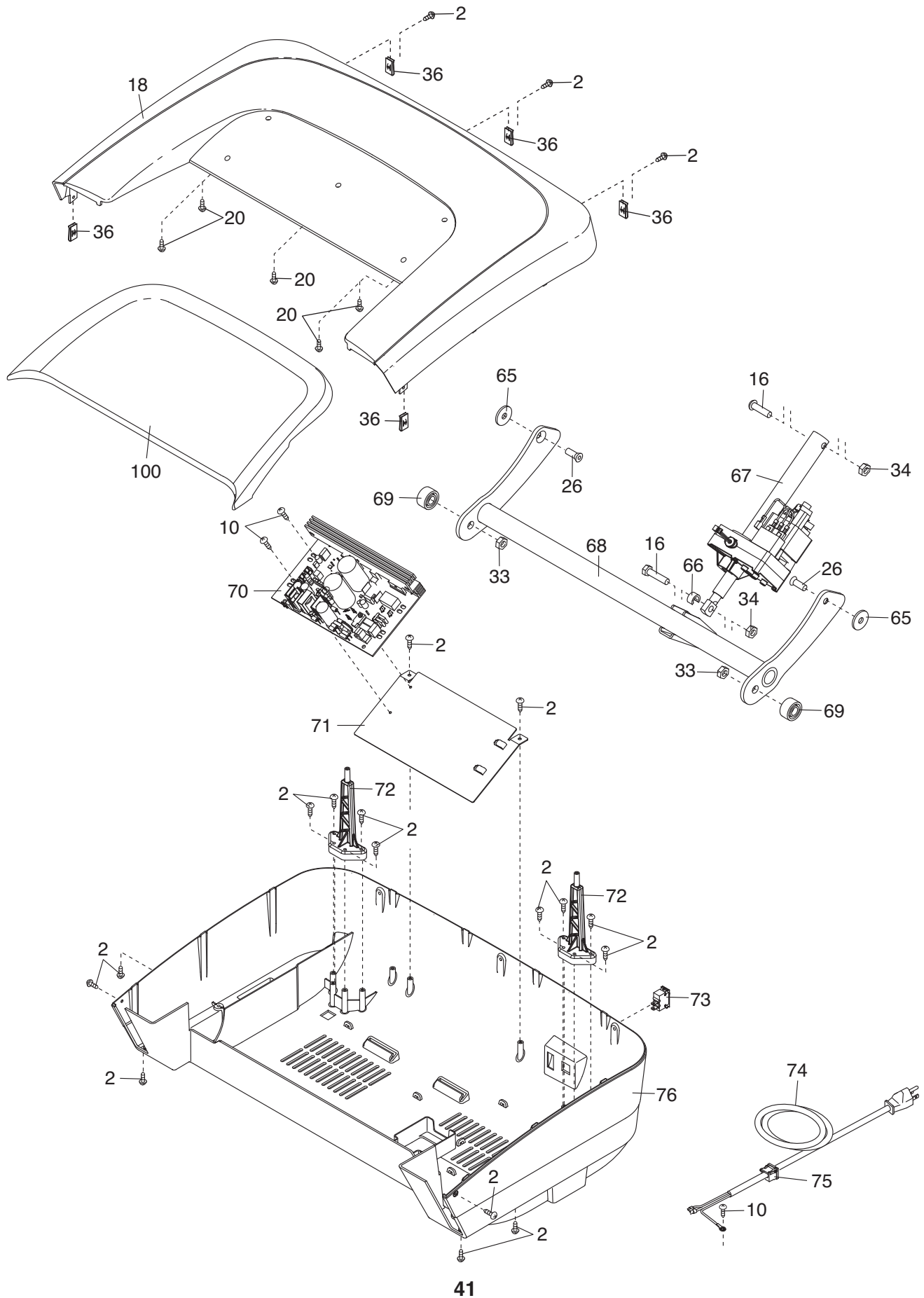
# EXPLODED DRAWING A

Model No. HRTL20510.1 R0311A



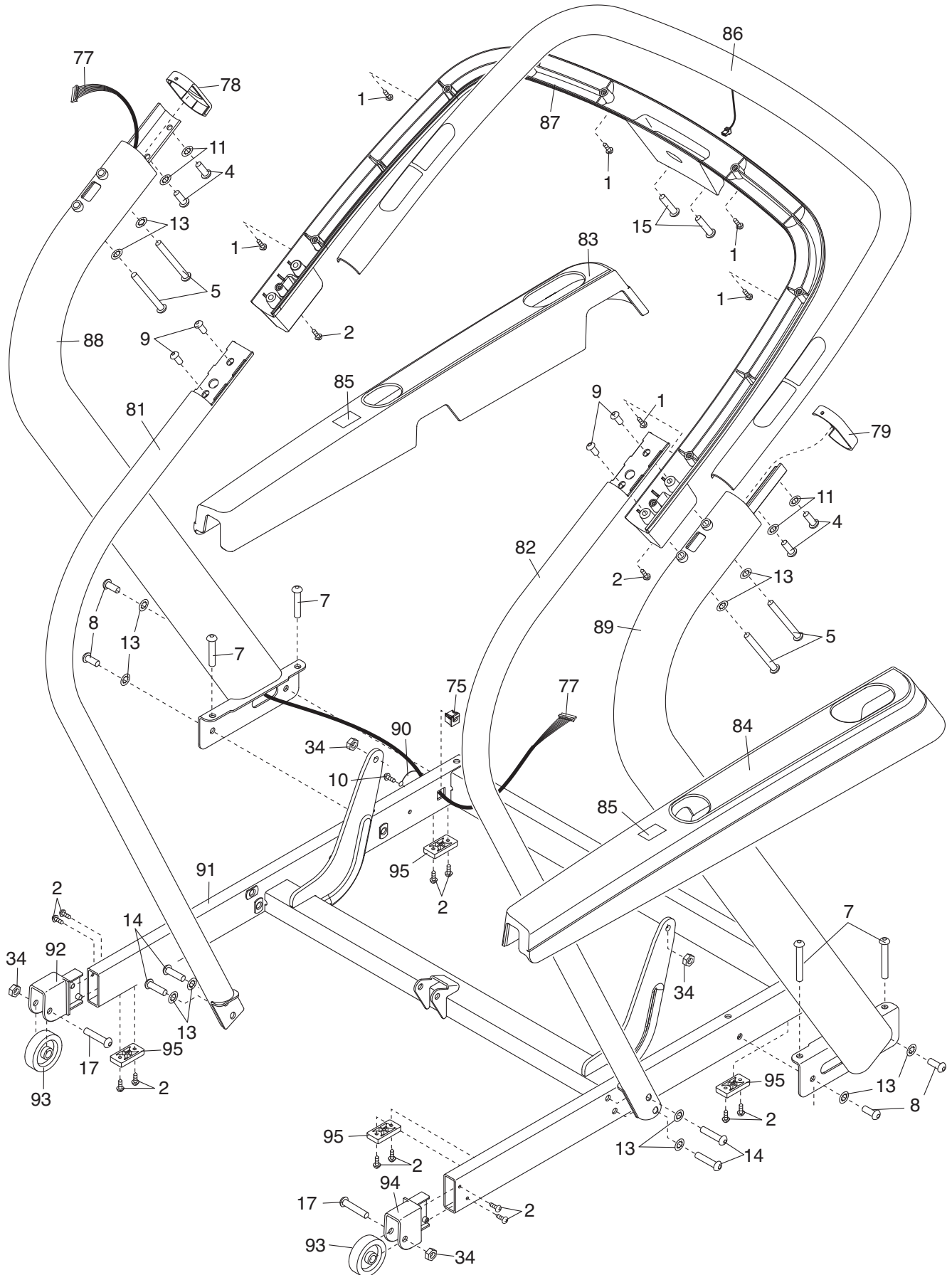
# EXPLODED DRAWING B

Model No. HRTL20510.1 R0311A



# EXPLODED DRAWING C

Model No. HRTL20510.1 R0311A



# EXPLODED DRAWING D

Model No. HRTL20510.1 R0311A

