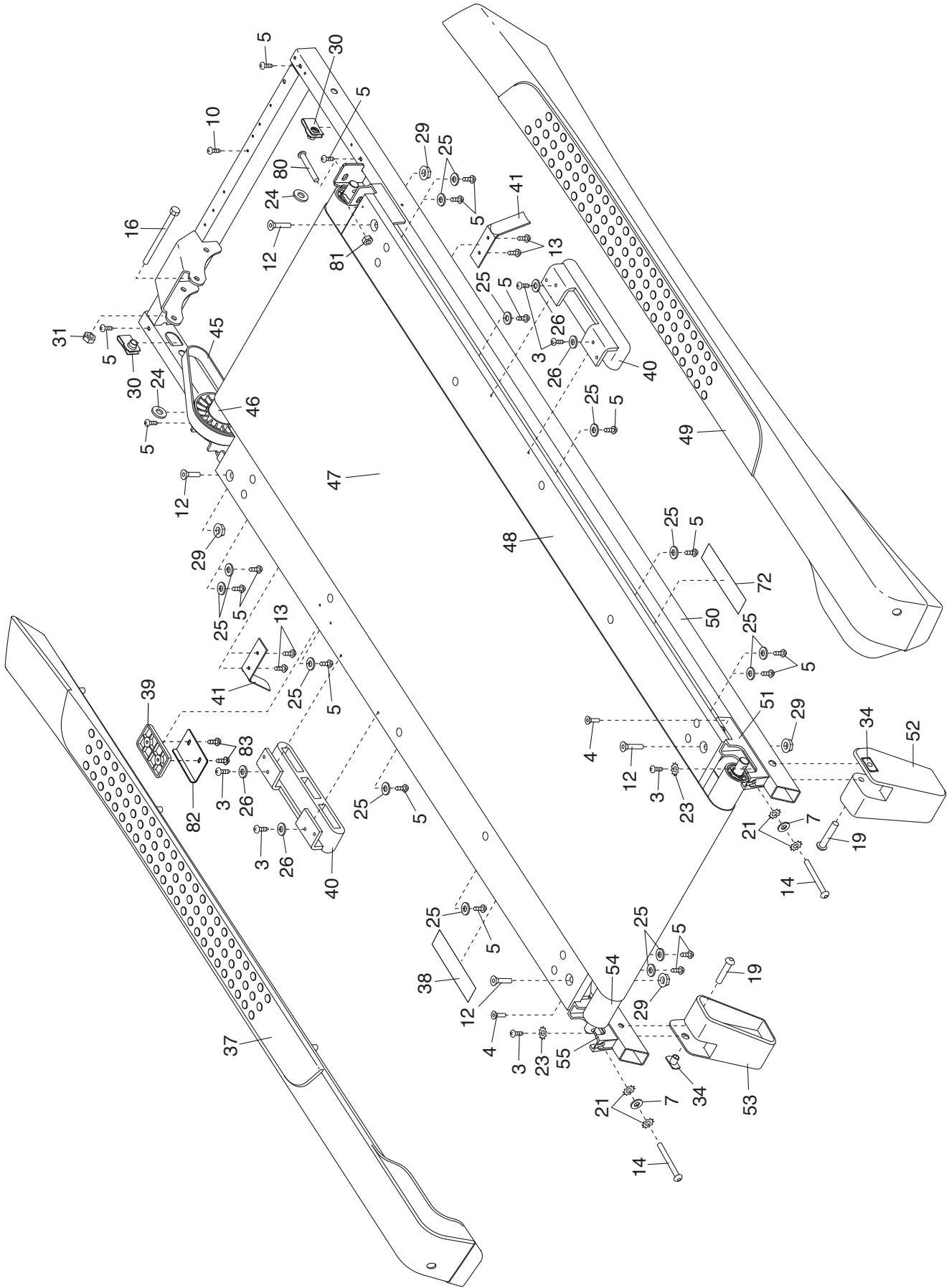


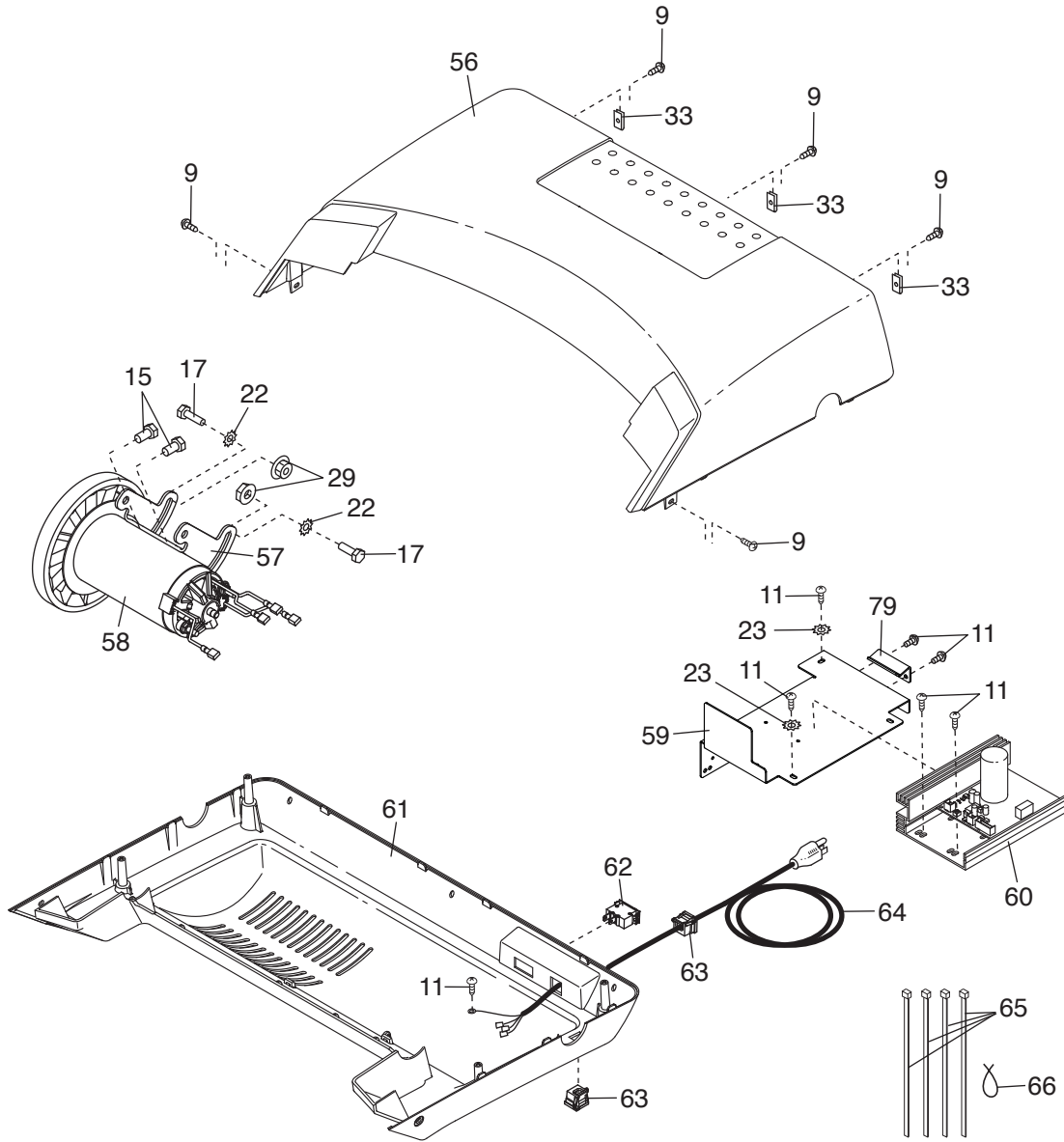
EXPLODED DRAWING A

Model No. HRTL29713C.0 R0615A



EXPLODED DRAWING B

Model No. HRTL29713C.0 R0615A



EXPLODED DRAWING C

Model No. HRTL29713C.0 R0615A

