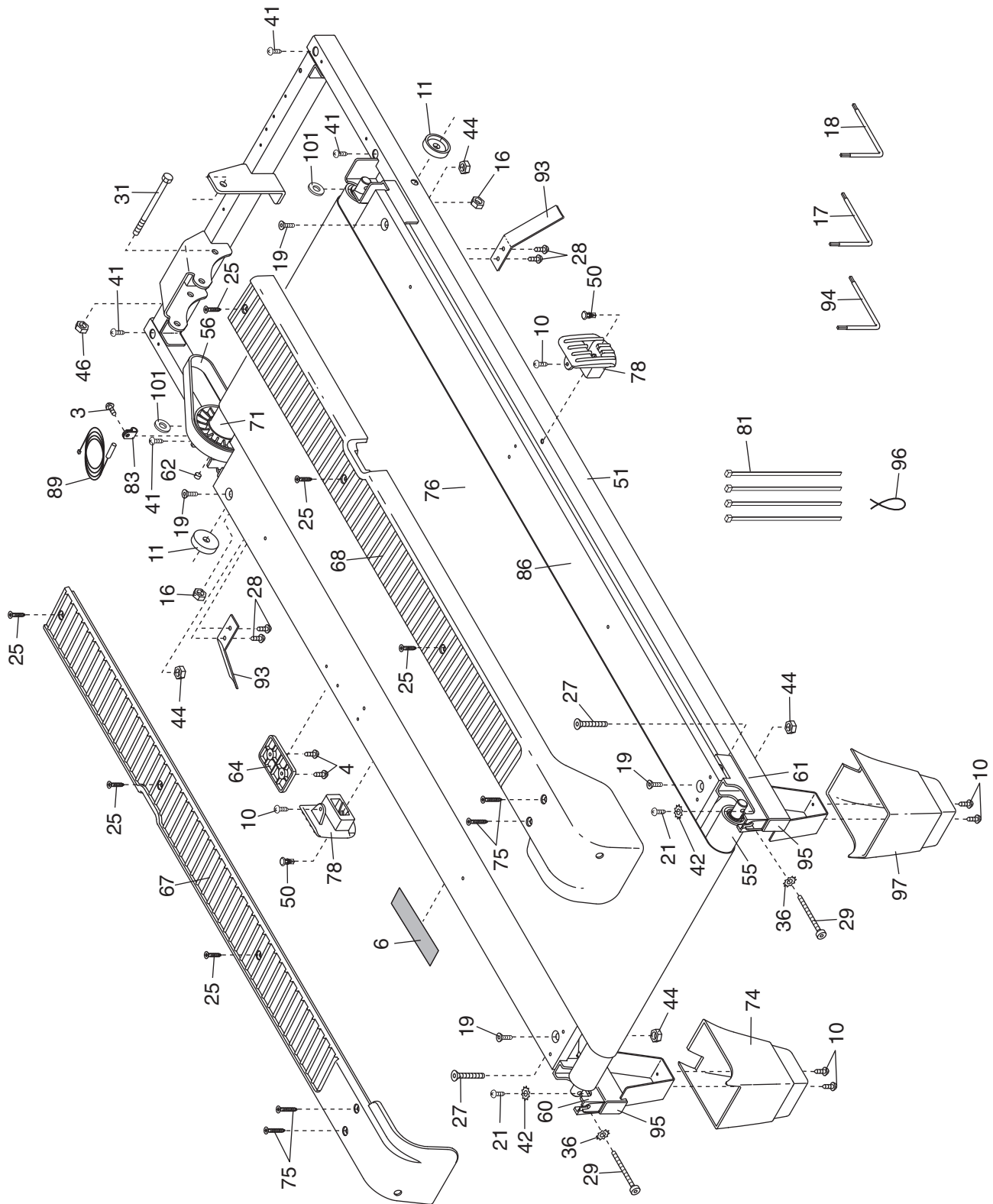


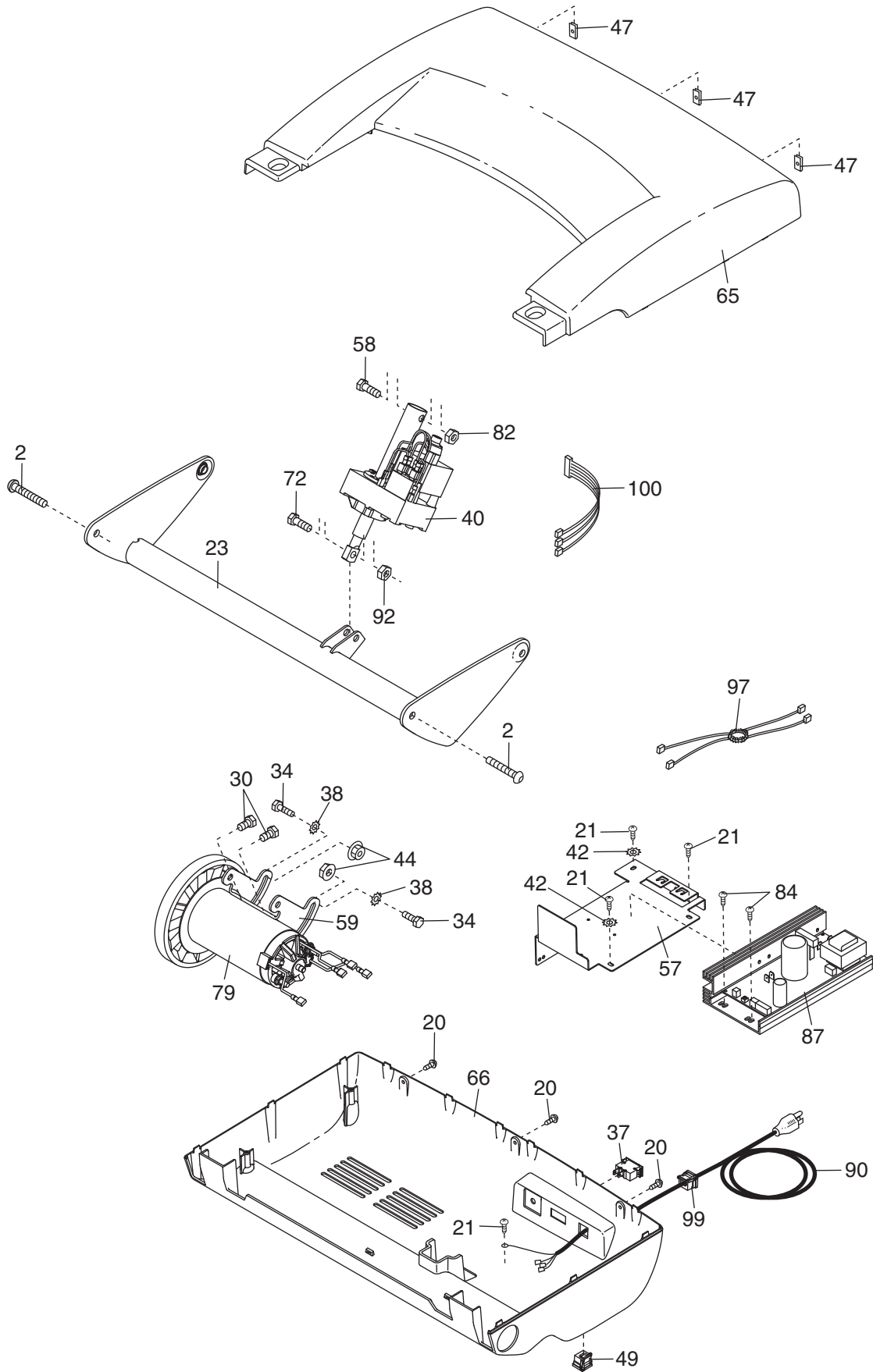
EXPLODED DRAWING A—Model No. HRTL34306.0

R0906A



EXPLODED DRAWING B—Model No. HRTL34306.0

R0906A



EXPLODED DRAWING C—Model No. HRTL34306.0

R0906A

