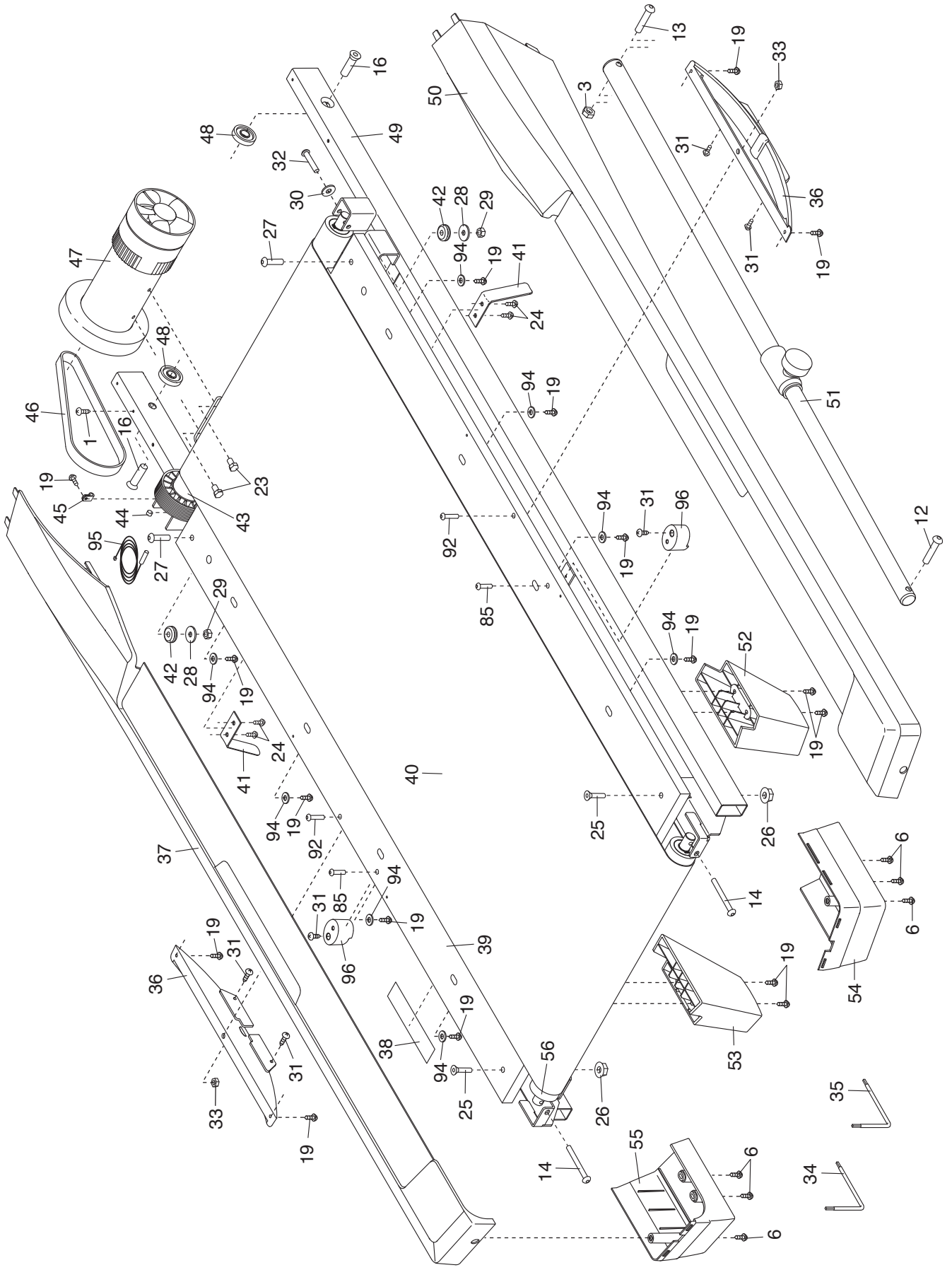


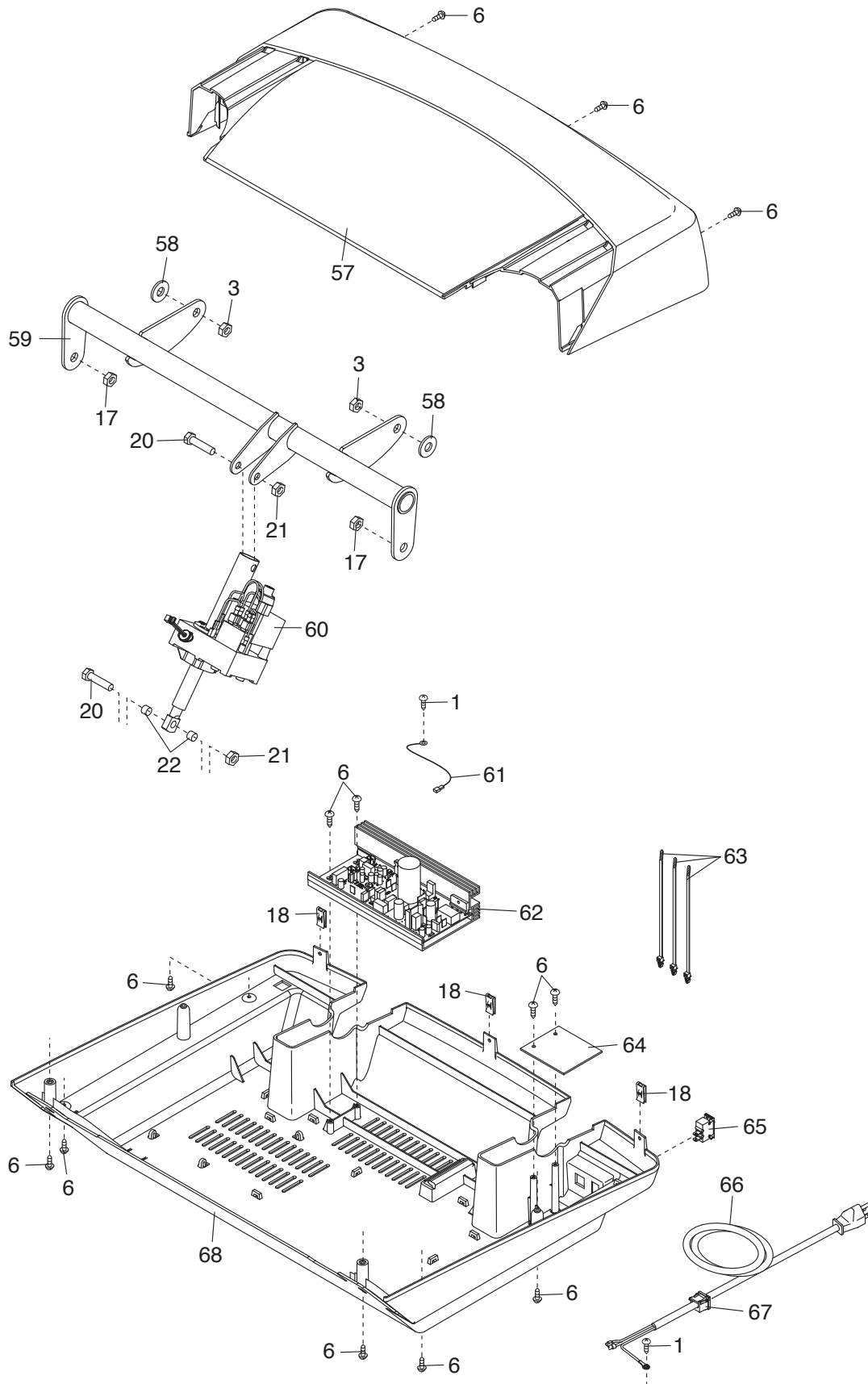
EXPLODED DRAWING A

Model No. HRTL61510.2 R0212A



EXPLODED DRAWING B

Model No. HRTL61510.2 R0212A



EXPLODED DRAWING D

Model No. HRTL61510.2 R0212A

