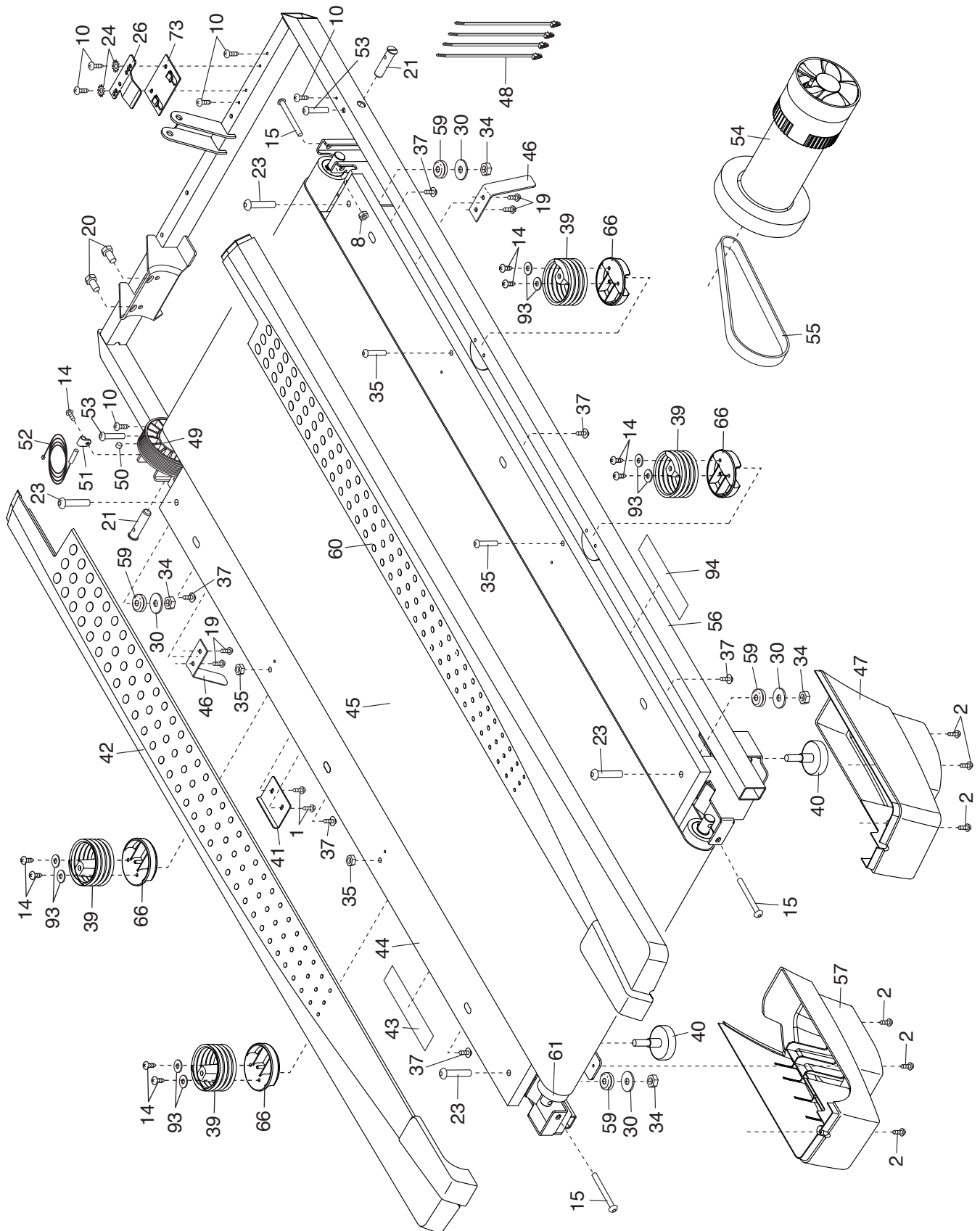


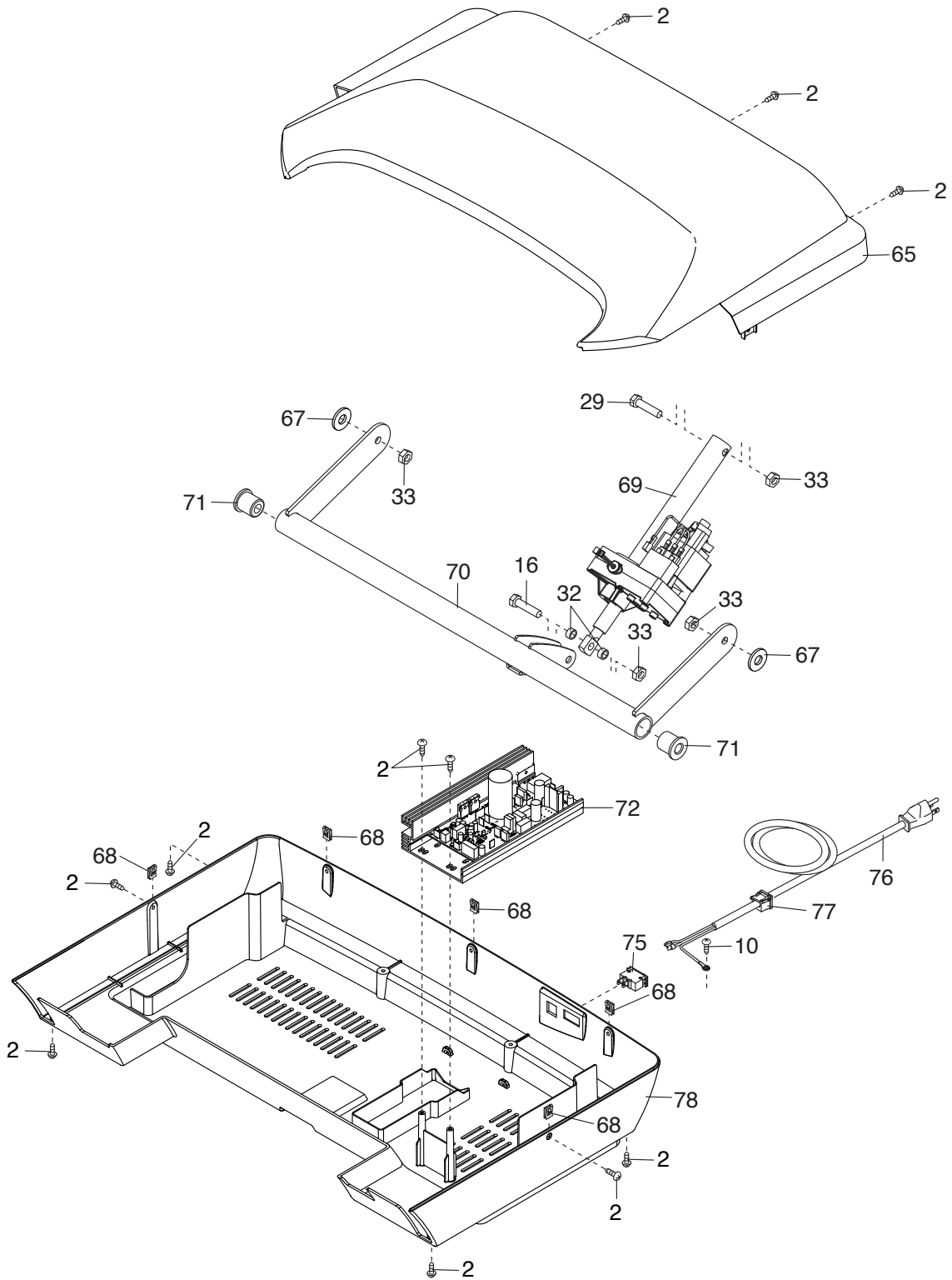
EXPLODED DRAWING A

Model No. HRTL70014C.1 R0715A



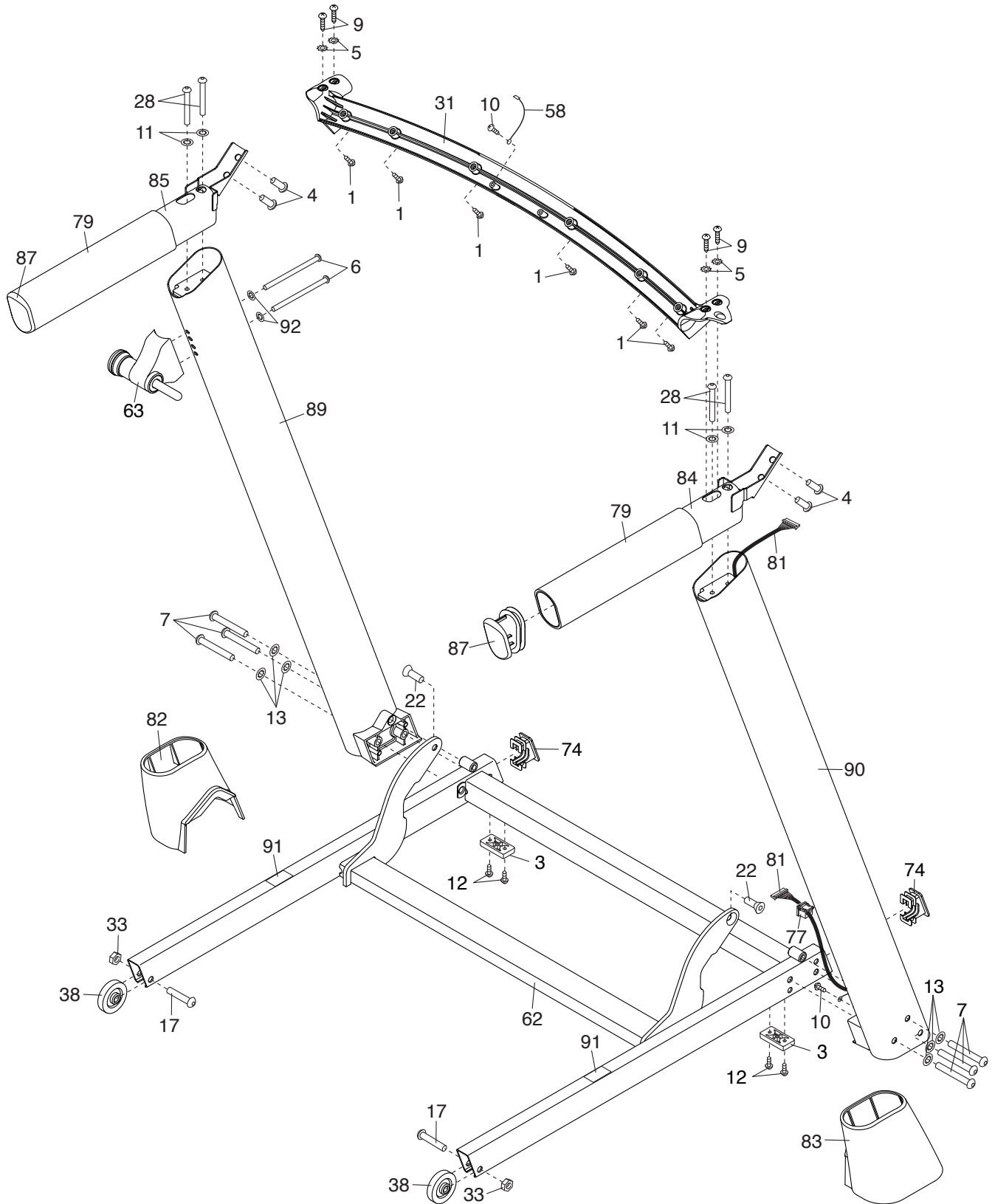
EXPLODED DRAWING B

Model No. HRTL70014C.1 R0715A



EXPLODED DRAWING C

Model No. HRTL70014C.1 R0715A



EXPLODED DRAWING D

Model No. HRTL70014C.1 R0715A

