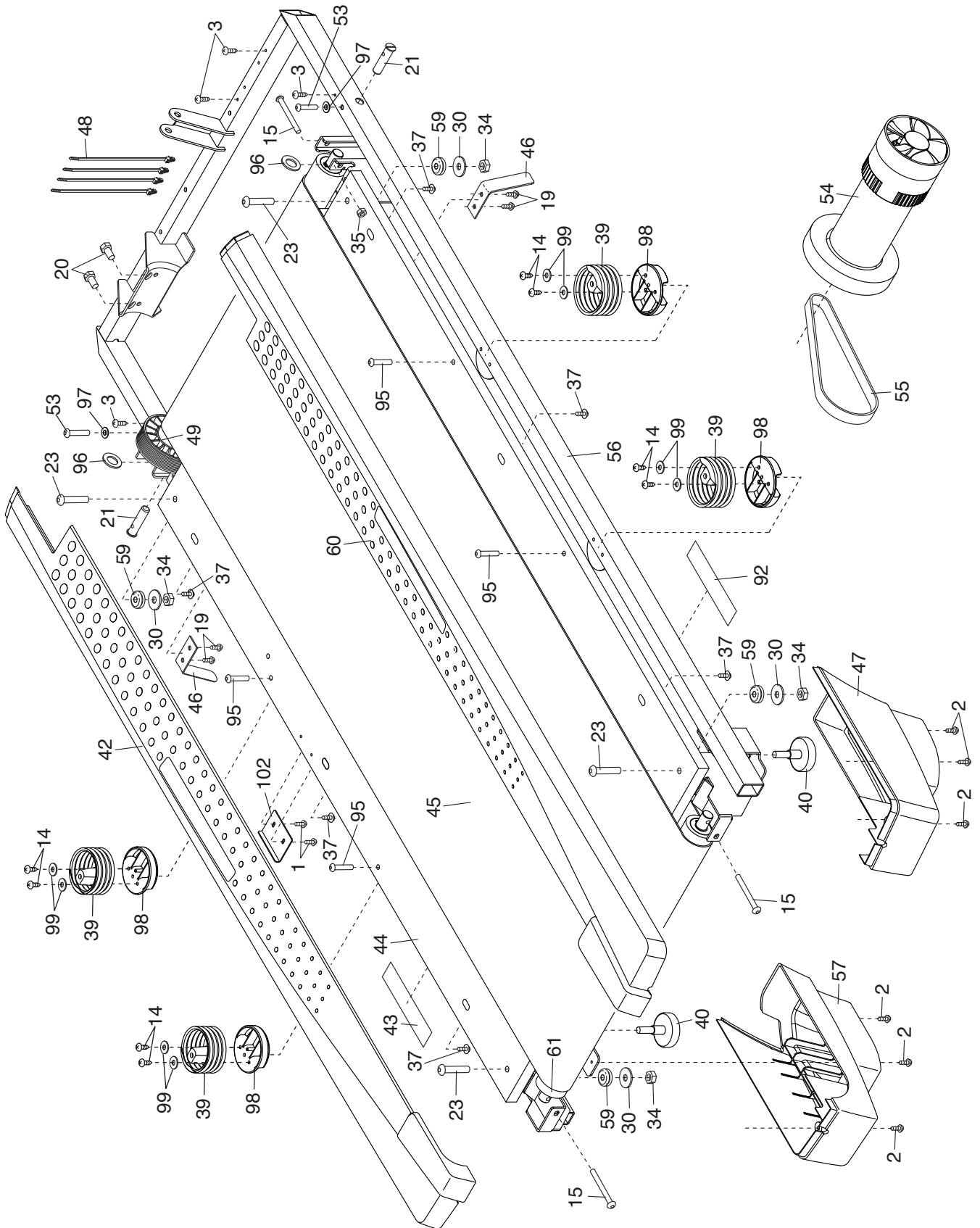


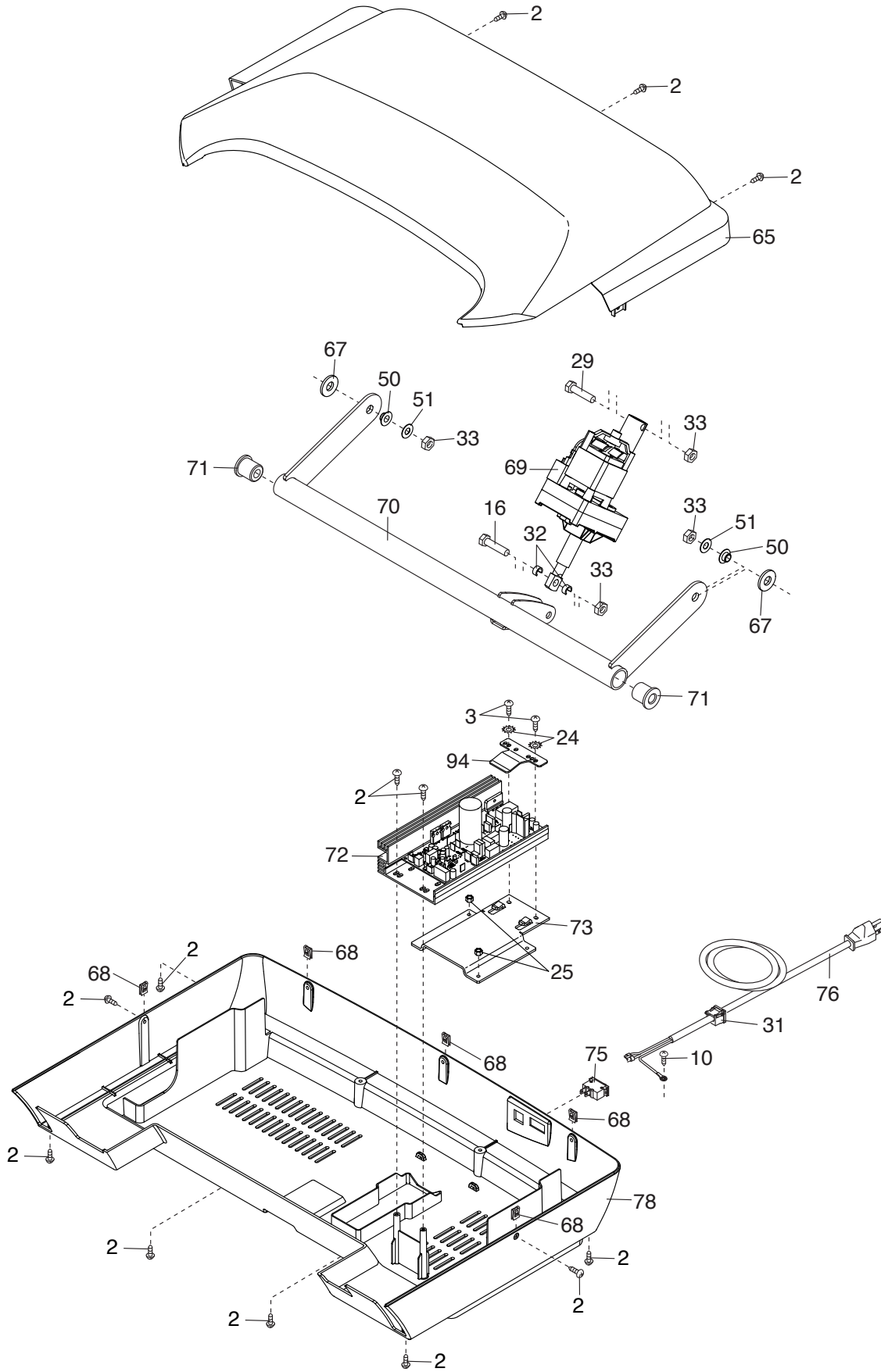
# EXPLODED DRAWING A

Model No. HRTL70014C.2 R0717A



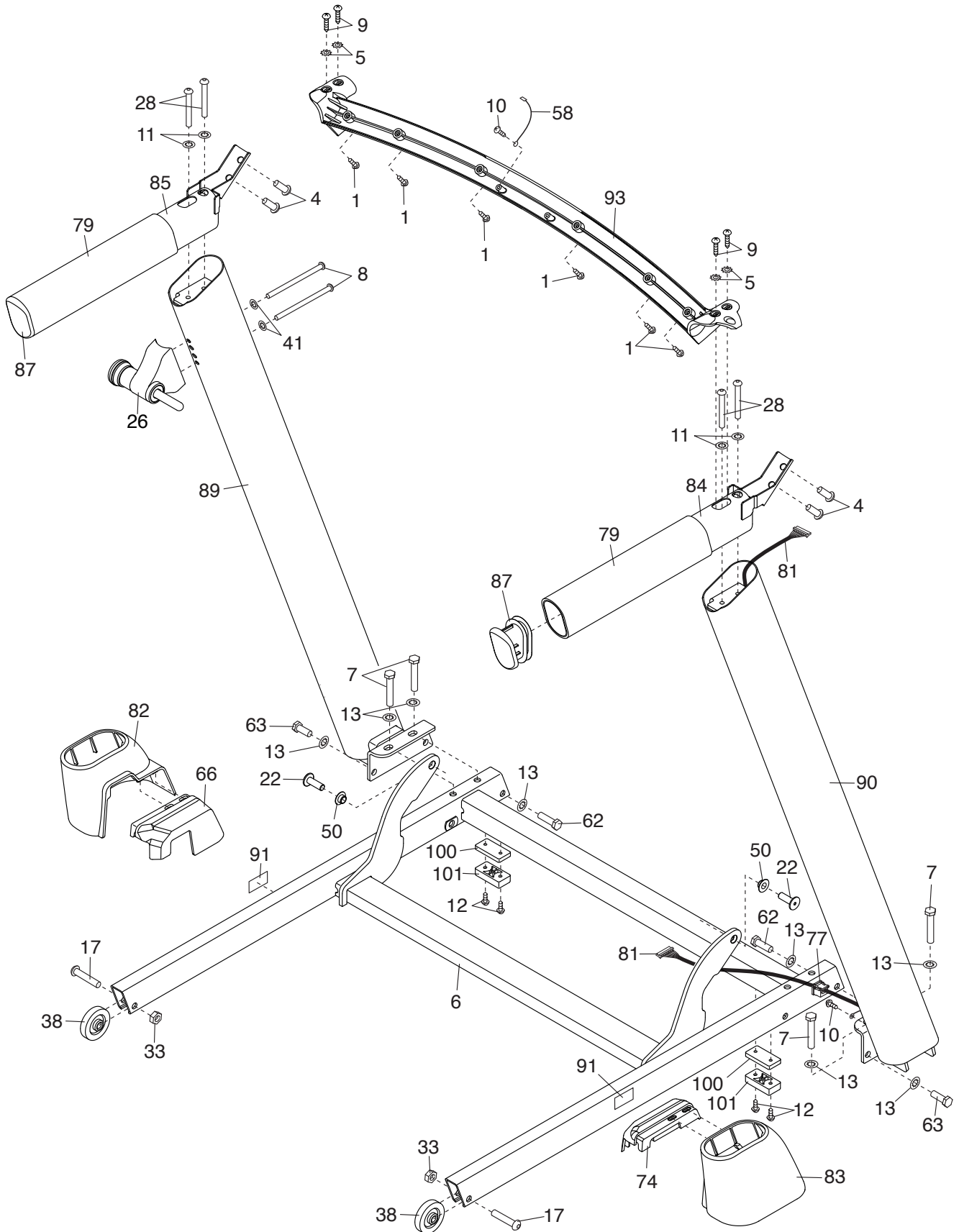
# EXPLODED DRAWING B

Model No. HRTL70014C.2 R0717A



# EXPLODED DRAWING C

Model No. HRTL70014C.2 R0717A



# EXPLODED DRAWING D

Model No. HRTL70014C.2 R0717A

