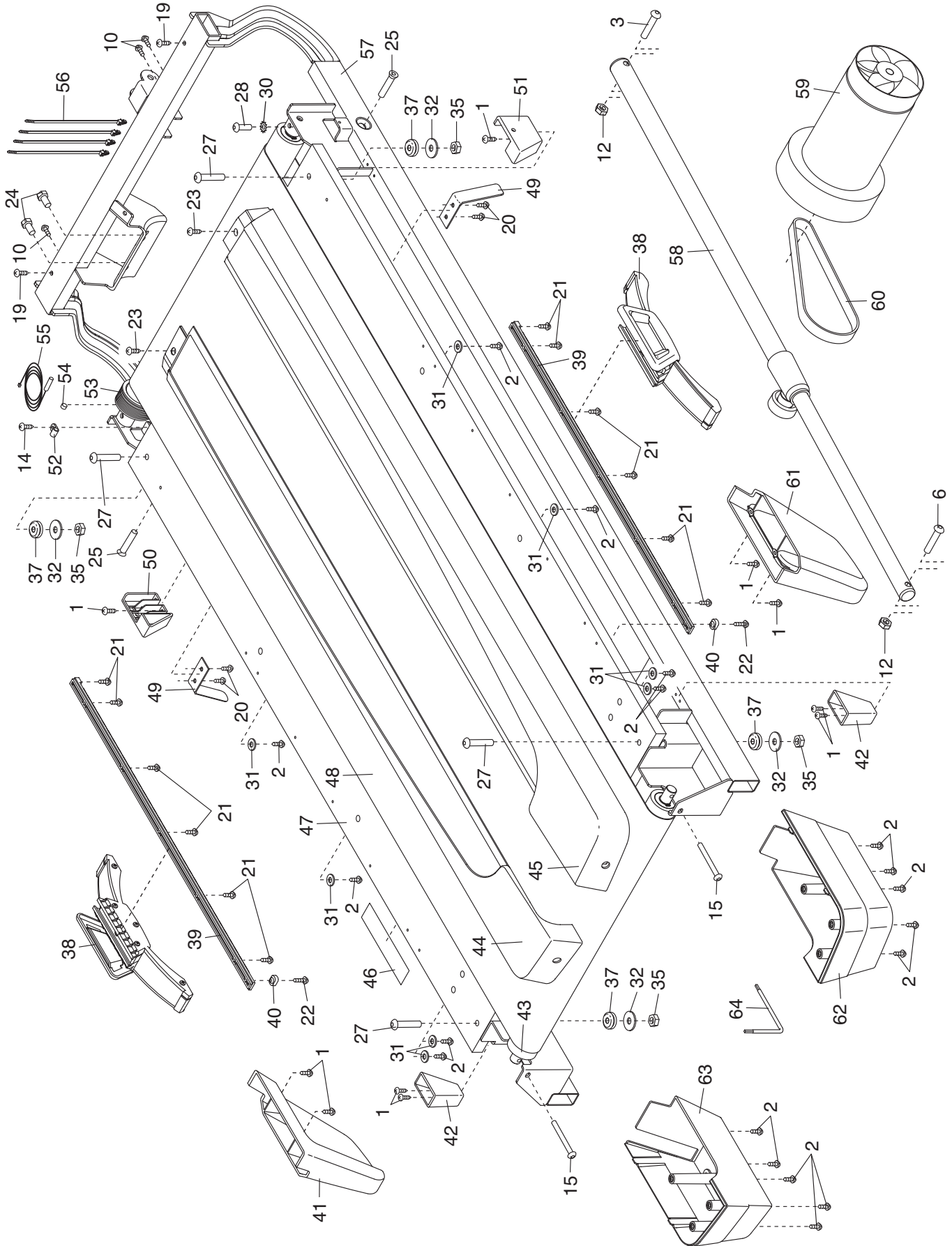


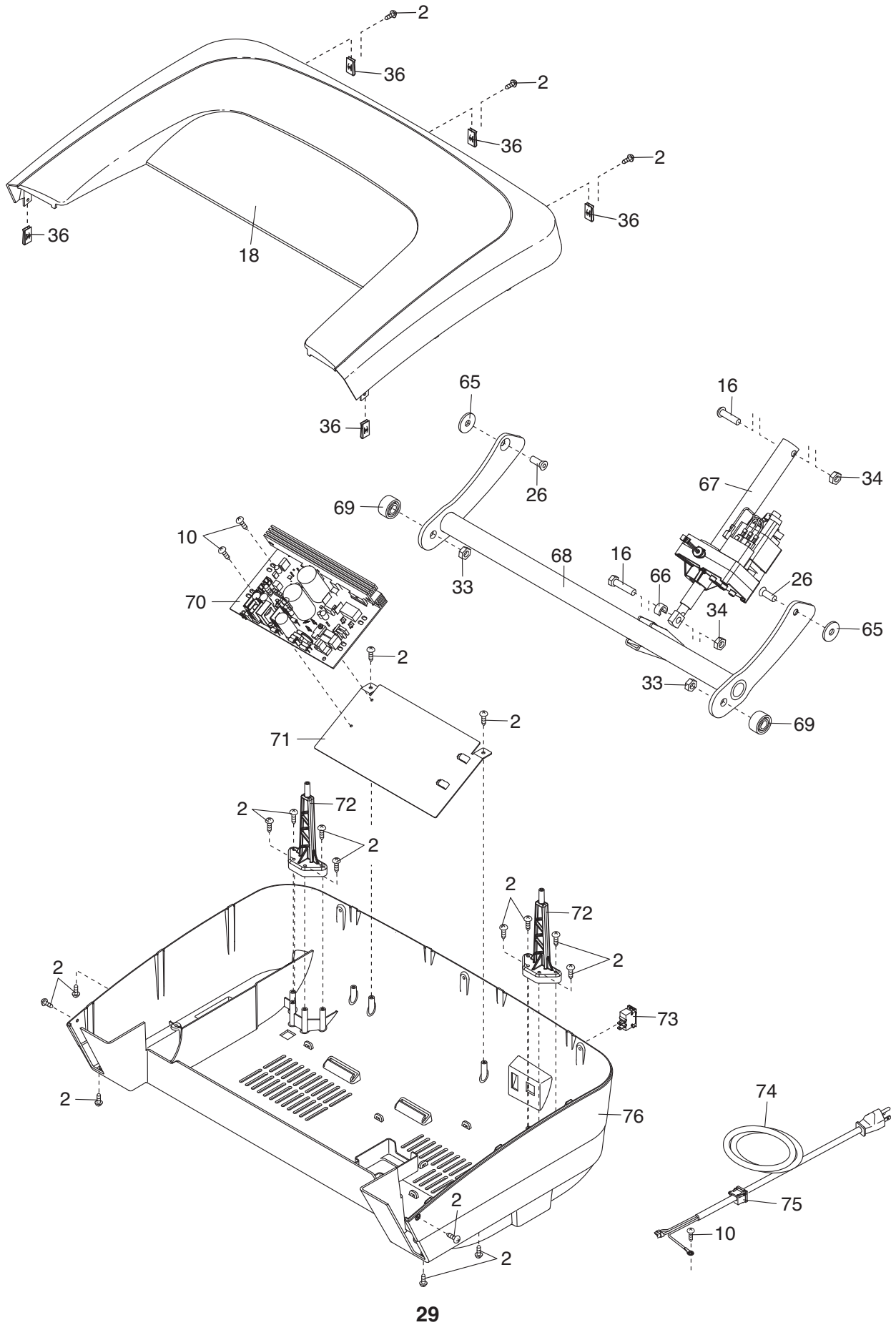
# EXPLODED DRAWING A—Model No. HRTL80510.0

R1110B



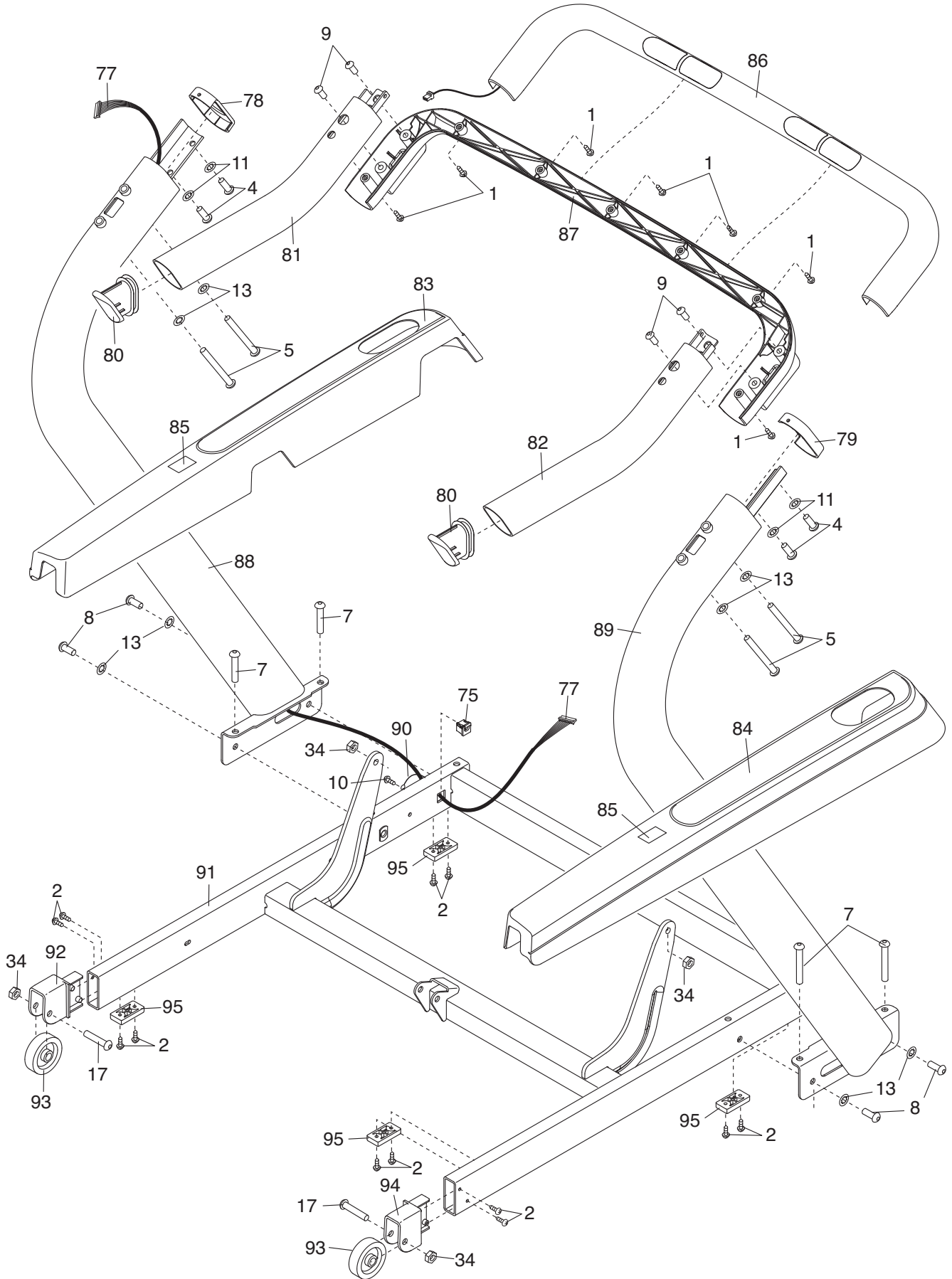
# EXPLODED DRAWING B—Model No. HRTL80510.0

R1110B



# EXPLODED DRAWING C—Model No. HRTL80510.0

R1110B



# EXPLODED DRAWING D—Model No. HRTL80510.0

R1110B

