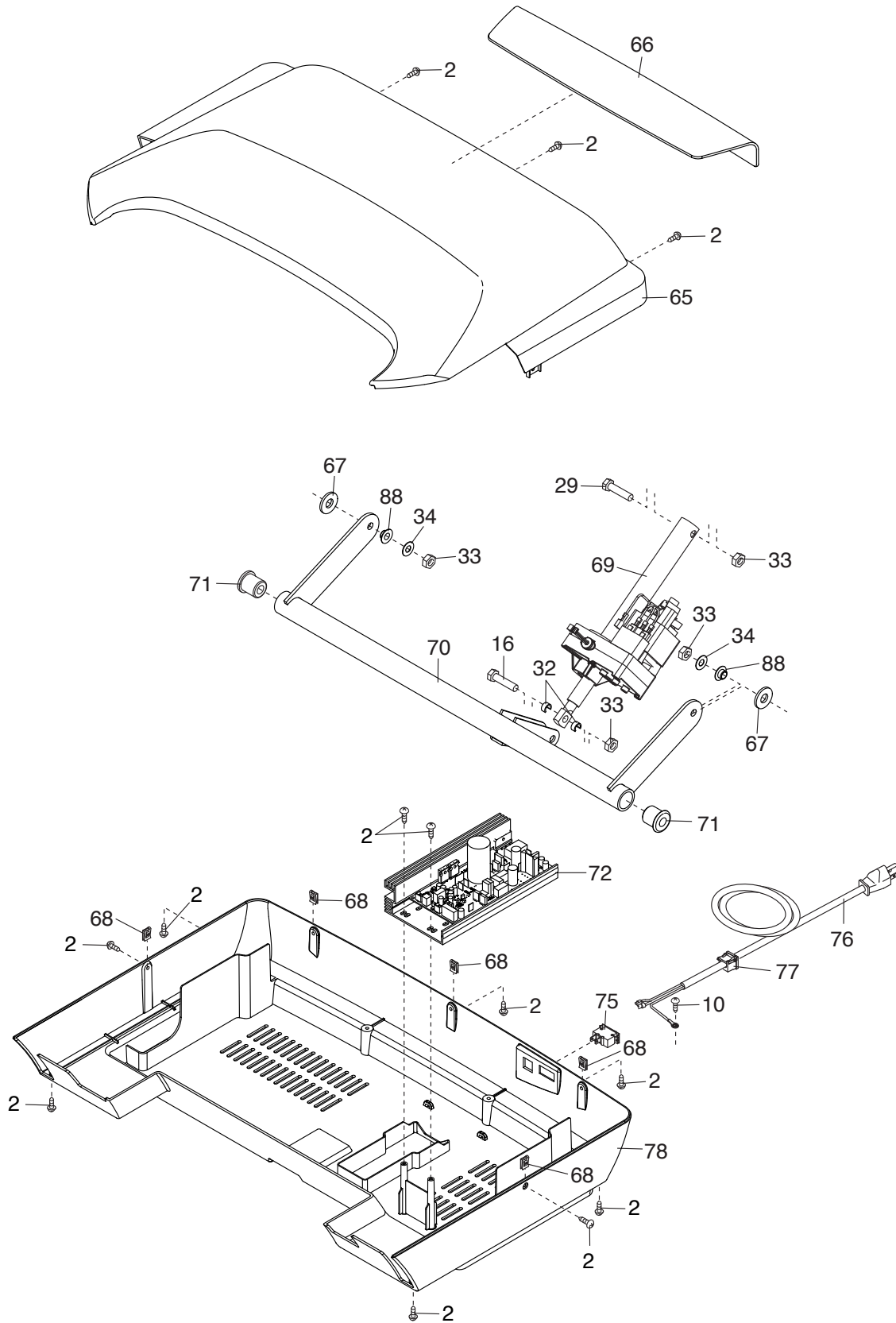


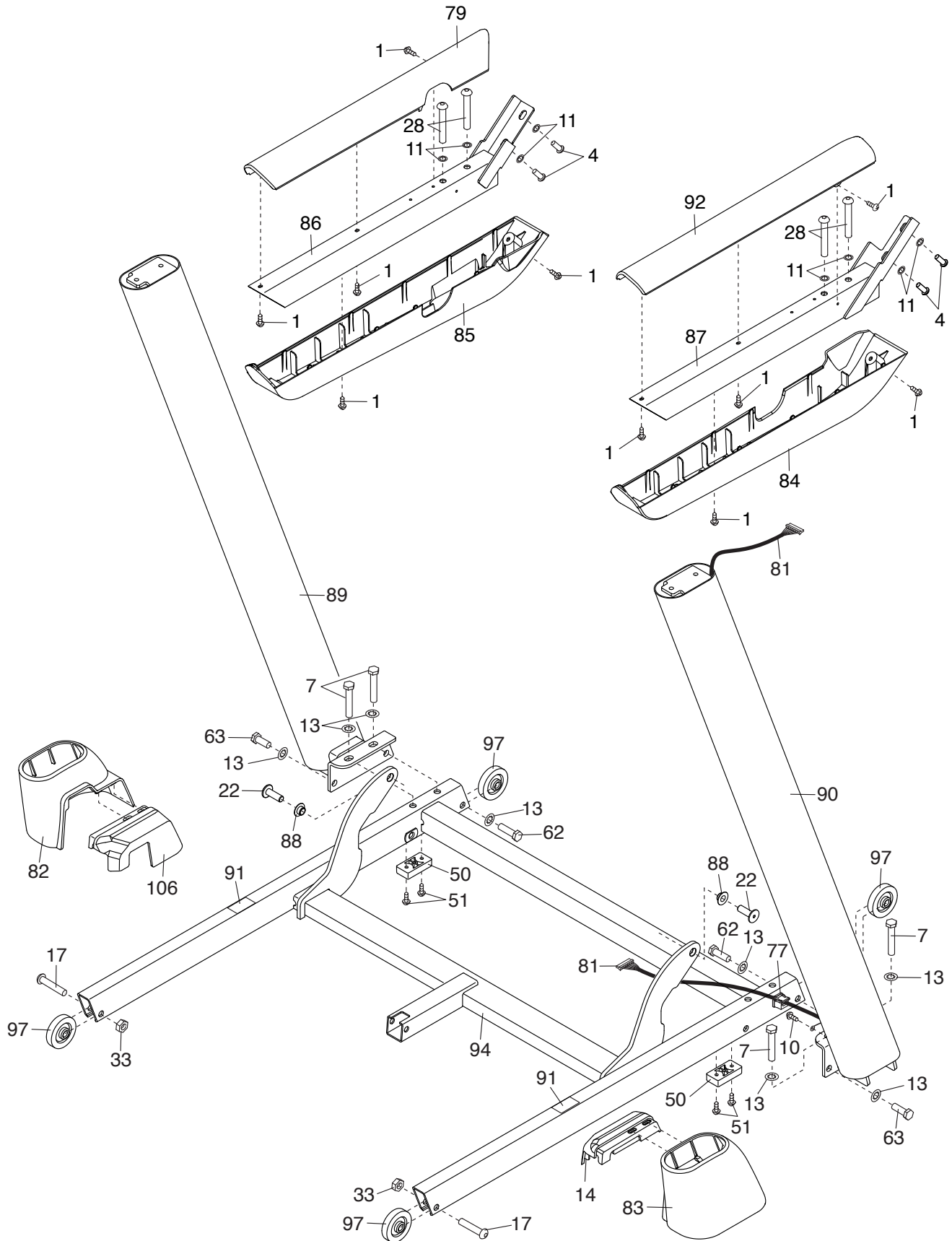
EXPLODED DRAWING B

Model No. HRTL80515C.0 R0516A



EXPLODED DRAWING C

Model No. HRTL80515C.0 R0516A



EXPLODED DRAWING D

Model No. HRTL80515C.0 R0516A

