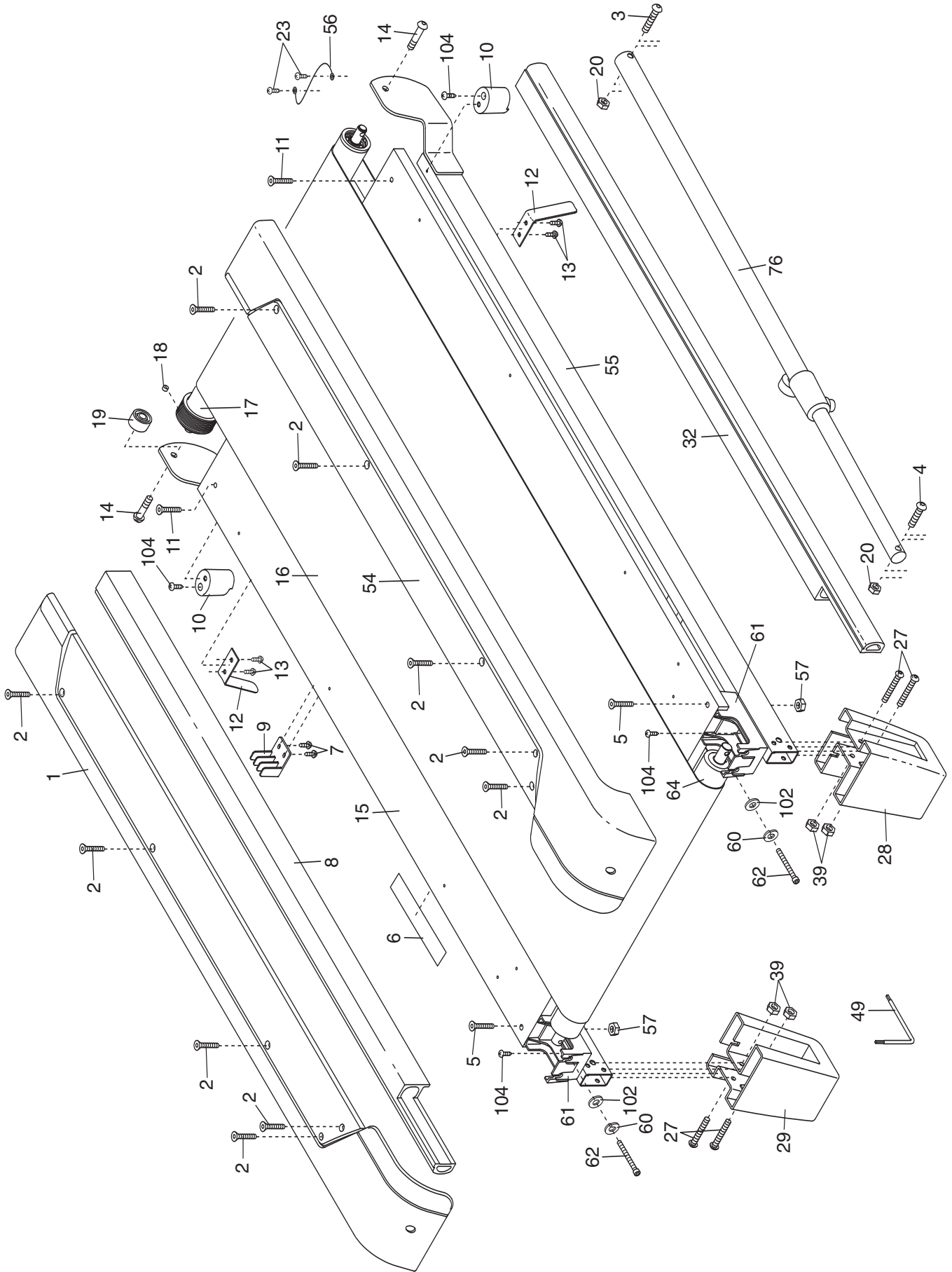


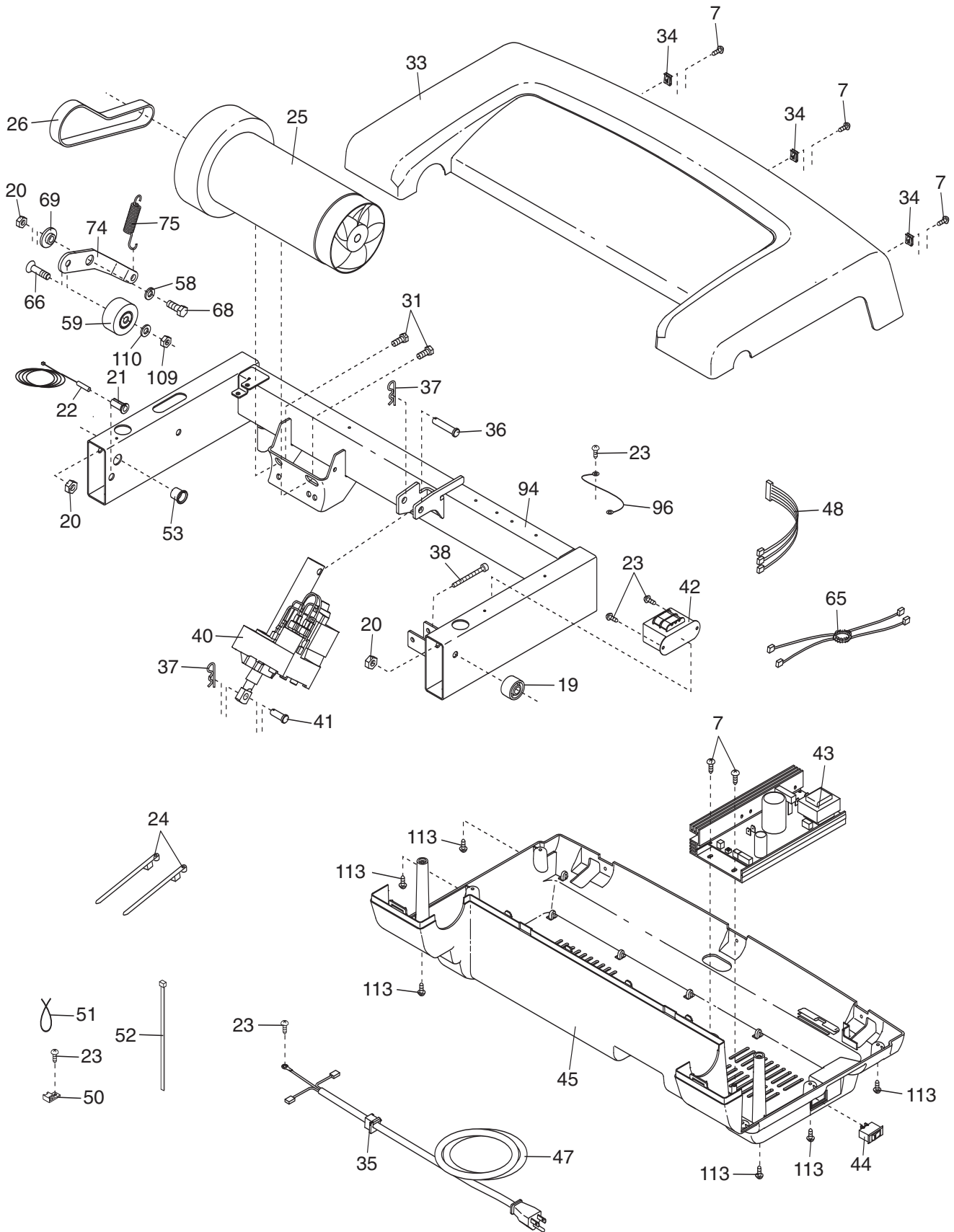
EXPLODED DRAWING A—Model No. HRTL89406.2

R1207A



EXPLODED DRAWING B—Model No. HRTL89406.2

R1207A



EXPLODED DRAWING D—Model No. HRTL89406.2

R1207A

