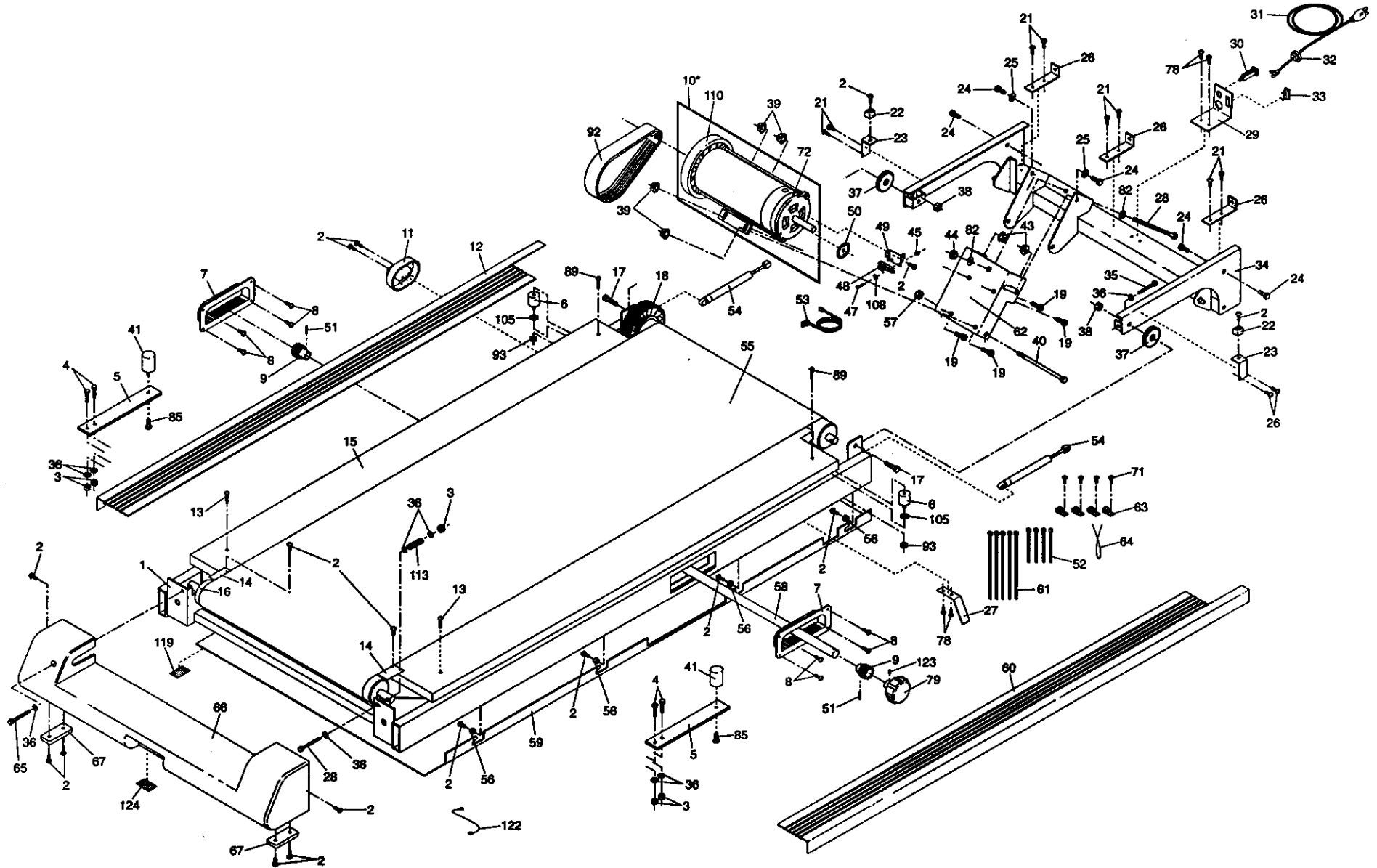


10F2

EXPLODED DRAWING—Model No. ICTL14070

R0398A



2 OF 2
ICTL14070

