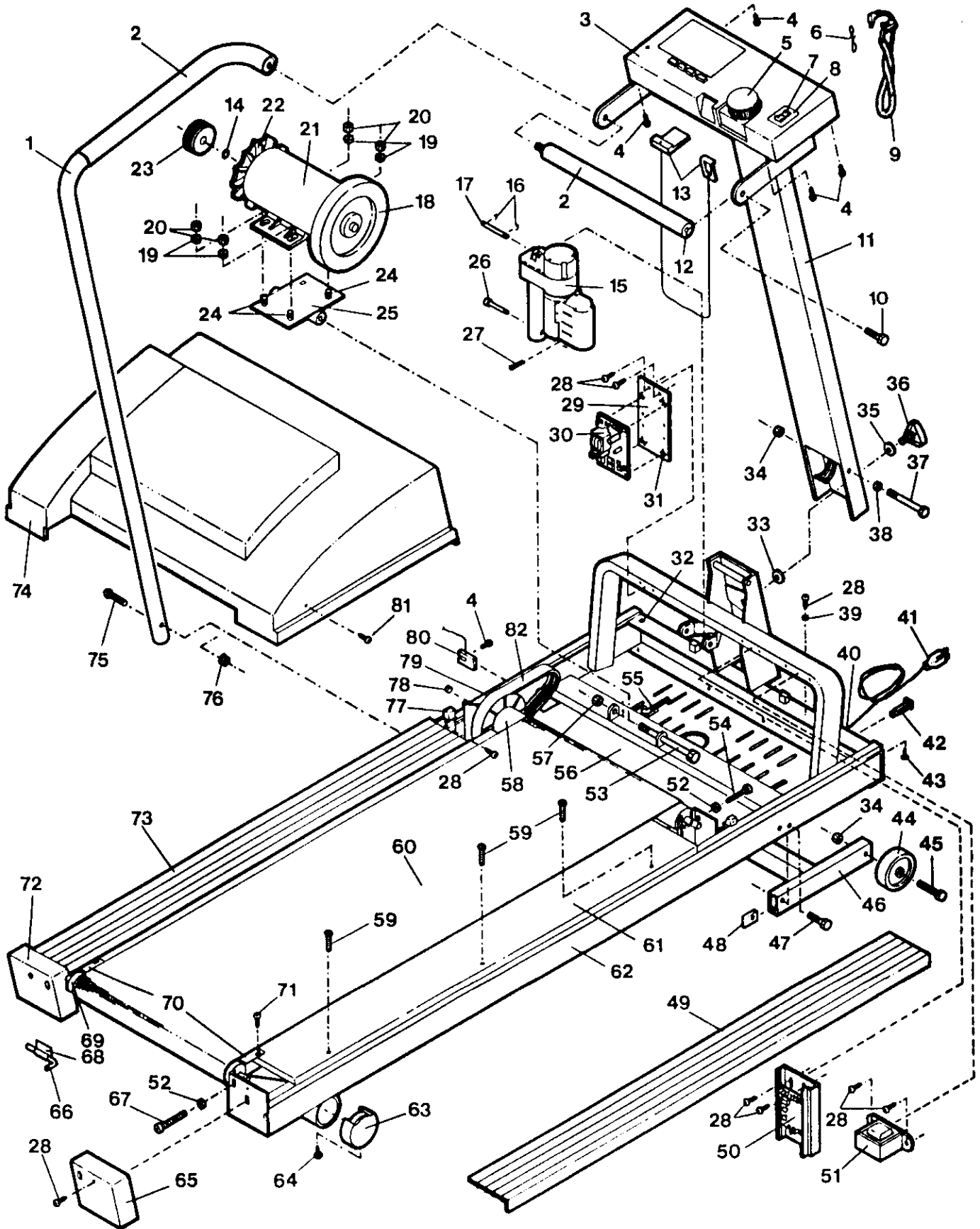


EXPLODED DRAWING- Model No. IM392010

Rev. 10/91



MODEL NUMBER: IM39201
VERSION: 00
PRODUCT NAME: IM39201
PRODUCT DESC:

MODEL/PART BOOK LISTING

PAGE 1
INI023P1
RUN DATE: 2/07/97
RUN TIME: 19:44:19

KEY NUMBER	PART NUMBER	DESCRIPTION	QUANTITY
1	107606	SIDE RAIL W/FOAM GRIP	1
	.	105638 SIDE RAIL	0
	.	103175 FOAM GRIP	1
2	103175	FOAM GRIP	2
3	107726	CONSOLE	1
4	104626	SCREW	5
5	106835	SPEED DIAL	1
6	054013	CLOTHES CLIP	1
7	031108	INCLINE CONTROL	1
8	105609	BEZEL	1
9	119946	PULSE/CLOTHES CLIP	1
10	104581	HANDRAIL BOLT	1
11	105552	UPRIGHT POST	1
12	107605	HANDRAIL W/FOAM GRIP	1
	.	105633 HANDRAIL	0
	.	103175 FOAM GRIP	1
13	106593	SAFETY KEY/CLIP	1
14	102603	PUSH NUT	1
15	030016	INCLINE MOTOR	1
16	054016	E-CLIP	2
17	015047	UPPER MOTOR PIN	1
18	021044	FLYWHEEL	1
19	101630	MOTOR MOUNT WASHER	4
20	012082	MOTOR MOUNT NUT	4
21	102535	MOTOR	1
22	031226	FAN	1
23	020060	MOTOR PULLEY	1
24	013445	MOTOR MOUNT BOLT	3
25	104551	MOTOR MOUNT BRACKET	1
26	100896	LOWER MOTOR PIN	1
27	106334	COTTER PIN	1
28	013423	SMALL SCREW	13
29	106261	POWER SUPPLY PLATE	1
30	105563	POWER SUPPLY	1
31	125819	PLASTIC STAND-OFF	4
32	016055	WIRE CLIP	3
33	105388	UPRIGHT SPACER	1
34	012108	PIVOT NUT	3
35	014156	LOCK KNOB WASHER	1
36	017088	LOCK KNOB	1
37	104925	PIVOT BOLT	1
38	014087	WASHER	2
39	014157	STAR WASHER	1
40	019084	GROMMET	1
41	031229	POWER CORD	1
42	109382	CIRCUIT BREAKER	1
43	104623	PLASTIC CLIP	12
44	052014	FRONT WHEEL	2
45	103045	WHEEL BOLT	2
46	105904	INCLINE LEG	1
47	013210	LEG BOLT	2
48	012179	U-NUT	2
49	107918	RIGHT FOOT RAIL	1
50	129854	CONTROLLER	1

MODEL NUMBER: IM39201
 VERSION: 00
 PRODUCT NAME: IM39201
 PRODUCT DESC:

MODEL/PART BOOK LISTING

PAGE 2
 INI023P1
 RUN DATE: 2/07/97
 RUN TIME: 19:44:19

KEY NUMBER	PART NUMBER	DESCRIPTION	QUANTITY
51	031238	CHOKE	1
52	014127	ADJUSTMENT WASHER	3
53	104903	SWIVEL BOLT	1
54	106615	FRONT ROLLER ADJ. BOLT	1
55	103855	J-BOLT	1
56	NLA	SAFETY COVER	1
57	012081	SWIVEL NUT	1
58	105907	FRONT ROLLER/PULLEY	1
59	100691	PLATFORM SCREW	6
60	130475	WALKING BELT W/FASTENERS	1
61	124611	WALKING BOARD W/FASTENERS	1
.	.	124610 WALKING BOARD	1
.	.	127860 NAIL	12
.	.	110585 REPLACEMENT INSTR.	1
.	.	NOTE: THIS ASSEMBLY HAS	0
.	.	BEEN CHANGED FROM THE	0
.	.	ORIGINAL WAXED BOARD	0
62	NSP	FRAME	1
63	040156	REAR LEG ENDCAP	2
64	013162	REAR LEG SCREW	2
65	104732	RIGHT ENDCAP	1
66	045010	ALLEN WRENCH	1
67	105444	REAR ROLLER ADJ. BOLT	2
68	016028	TOOL CLAMP	1
69	105894	REAR ROLLER	1
70	010206	ROLLER GUARD	2
71	013141	ROLLER GUARD SCREW	2
72	104731	LEFT ENDCAP	1
73	105788	LEFT FOOT RAIL	1
74	107607	MOTOR HOOD	1
.	.	104600 MOTOR HOOD	1
.	.	106148 MOTOR HOOD DECAL	1
75	105722	SIDE RAIL BOLT	1
76	105477	SIDE RAIL NUT	1
77	008148	HOOD MOUNT ANCHOR	4
78	100498	SENSOR MAGNET	1
79	105257	FRONT ROLLER INSERT	1
80	124434	REED SWITCH/SENSOR WIRE	1
81	104621	MOTOR HOOD SCREW	4
82	101004	BELT	1
.	.	NON-ILLUSTRATED PARTS:	0
#	105677	FRAME DECAL	2
#	106148	HOOD DECAL	1
#	106150	OWNER'S MANUAL	1
#	106149	LITERATURE PACKET	1
.	.	106150 OWNER'S MANUAL	1
.	.	119946 PULSE EARCLIP	1
.	.	017088 LOCK KNOB	1
.	.	014156 LOCK KNOB WASHER	1
.	.	105458 HARDWARE KIT	1
.	.	016028 TOOL CLAMP	1
.	.	045010 ALLEN WRENCH	1
.	.	105722 3" SIDERAIL BOLT	1
.	.	105477 SIDERAIL NUT	1