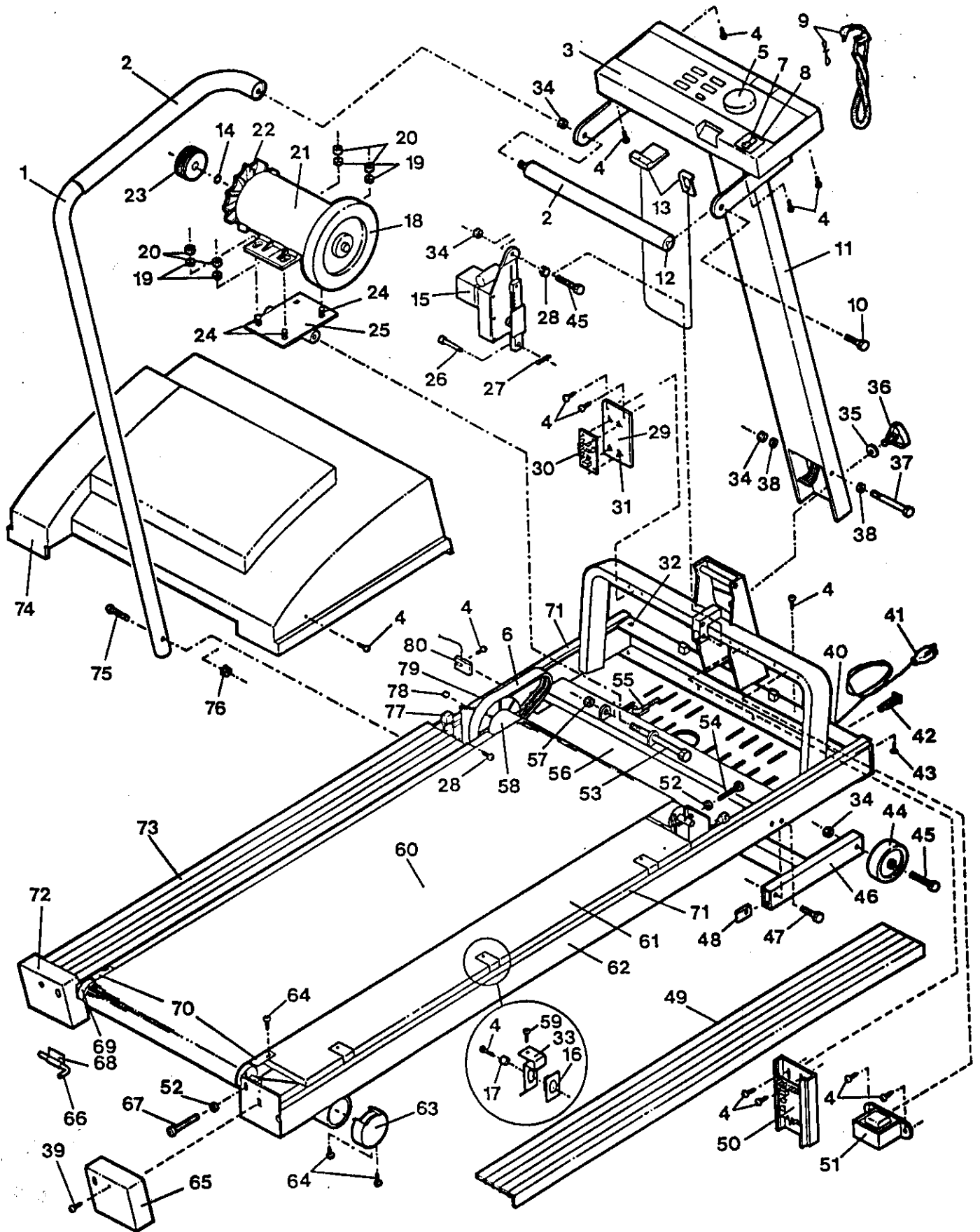


EXPLODED DRAWING—Model No. IM392230

Rev. 12/93



MODEL NUMBER: IM39223
VERSION: 00
PRODUCT NAME: IM39223
PRODUCT DESC:

MODEL/PART BOOK LISTING

PAGE 1
INI023P1

RUN DATE: 2/07/97
RUN TIME: 19:44:40

KEY NUMBER	PART NUMBER	DESCRIPTION	QUANTITY
1	107606	SIDERAIL W/FOAM GRIP	1
	.	105638 SIDERAIL	1
	.	103175 FOAM GRIP	1
2	103175	FOAM GRIP	2
3	111206	CONSOLE	1
	.	108966 CONSOLE	1
	.	031108 INCLINE SWITCH	1
	.	009135 BEZEL	1
	.	111207 CN-INSTALL INSTR.	1
4	108080	SCREW	32
5	110000	SPEED CONTROL KNOB	1
6	101004	BELT	1
7	031108	INCLINE CONTROL SWITCH	1
8	009135	BEZEL	1
9	119946	PULSE/CLOTHES CLIP	1
10	104581	SIDERAIL BOLT	1
11	115226	UPRIGHT POST	1
12	115806	HANDLEBAR W/FOAM GRIP	1
	.	105713 HANDLEBAR	1
	.	103175 FOAM GRIP	1
13	106337	SAFETY KEY/CLIP	1
14	102603	PUSH NUT	1
15	115523	INCLINE MOTOR	1
16	105392	PLATFORM CLAMP BUSHING	6
17	105475	SMALL BUSHING	6
18	021044	FLYWHEEL	1
19	101630	MOTOR MOUNT WASHER	4
20	012082	MOTOR MOUNT NUT	4
21	111576	MOTOR	1
	.	102535 MOTOR	1
	.	111577 CONSUMER NOTICE	1
21A	111578	MOTOR/PULY/FLWH/FAN	1
22	031226	FAN	1
23	020060	MOTOR PULLEY	1
24	013445	MOTOR MOUNT BOLT	3
25	111579	MOTOR MOUNT SWIVEL	1
	.	104551 MOTOR MOUNT SWIVEL	1
	.	111577 CN-INSTALL INSTR.	1
26	112669	LOWER MOTOR PIN	1
27	106334	COTTER PIN	1
28	101605	INCLINE MOTOR SPACER	1
29	108973	INCLINE BOARD PLATE	1
30	111205	INCLINE BOARD	1
31	125819	PLASTIC STAND-OFF	4
32	016055	WIRE CLIP	4
33	105261	PLATFORM CLAMP	6
34	012108	LOCK NUT	5
35	014156	LOCK KNOB WASHER	1
36	017088	LOCK KNOB	1
37	104925	PIVOT BOLT	1
38	014087	WASHER	2
39	109250	ENDCAP SCREW	2
40	019084	GROMMET	1
41	031229	POWER CORD	1

MODEL NUMBER: IM39223
 VERSION: 00
 PRODUCT NAME: IM39223
 PRODUCT DESC:

MODEL/PART BOOK LISTING

PAGE 2
 INI023P1

RUN DATE: 2/07/97
 RUN TIME: 19:44:40

KEY NUMBER	PART NUMBER	DESCRIPTION	QUANTITY
42	109382	CIRCUIT BREAKER	1
43	104623	PLASTIC CLIP	12
44	052014	FRONT WHEEL	2
45	103045	WHEEL/INCLINE MOTOR BOLT	3
46	110269	INCLINE LEG	1
47	013210	LEG BOLT	2
48	012179	U-NUT	2
49	107879	RIGHT DECK RAIL	1
50	129854	CONTROLLER	1
51	031238	CHOKE	1
52	014127	ADJUSTMENT WASHER	3
53	104903	SWIVEL BOLT	1
54	106615	FRONT ROLLER ADJ. BOLT	1
55	103855	J-BOLT	1
56	NLA	SAFETY COVER	1
57	012081	SWIVEL NUT	1
58	105907	FRONT ROLLER/PULLEY	1
59	013141	PLATFORM SCREW	6
60	130475	WALKING BELT W/FASTENERS	1
61	124584	WALKING BOARD W/FASTENERS	1
.	.	124583 WALKING PLATFORM	1
.	.	127860 NAIL	12
.	.	107187 CN-INSTALL INSTR.	1
.	.	NOTE: THIS ASSEMBLY HAS	0
.	.	BEEN CHANGED FROM THE	0
.	.	ORIGINAL WAXED BOARD	0
62	NSP	FRAME	1
63	040156	REAR LEG ENDCAP	2
64	013162	REAR LEG/GUARD SCREW	6
65	104732	RIGHT ENDCAP	1
66	045010	ALLEN WRENCH	1
67	105444	REAR ROLLER ADJ. BOLT	2
68	016028	WRENCH CLIP	1
69	110441	REAR ROLLER	1
.	.	105894 REAR ROLLER	1
.	.	103847 CN-INSTALL INSTR.	1
70	010206	ROLLER GUARD	2
71	105782	HIGH DENSITY FOAM	2
72	104731	LEFT ENDCAP	1
73	NLA	LEFT DECK RAIL	1
74	115807	MOTOR HOOD	1
.	.	104600 MOTOR HOOD	1
.	.	115228 MOTOR HOOD DECAL	1
75	105722	SIDERAIL BOLT	1
76	105477	SIDERAIL NUT	1
77	008148	HOOD MOUNT ANCHOR	4
78	100498	MAGNET	1
79	105257	FRONT ROLLER INSERT	1
80	115569	REED SWITCH/SENSOR WIRE	1
.	.	NON-ILLUSTRATED PARTS	0
#	129418	POTENTIOMETER	1
#	105677	FRAME DECAL	2
#	115228	MOTOR HOOD DECAL	1
#	115230	OWNER'S MANUAL	1

MODEL NUMBER: IM39223
VERSION: 00
PRODUCT NAME: IM39223
PRODUCT DESC:

MODEL/PART BOOK LISTING

PAGE 3
INI023P1

RUN DATE: 2/07/97
RUN TIME: 19:44:40

KEY NUMBER	PART NUMBER	DESCRIPTION	QUANTITY
#	115229	LITERATURE PACKET	1
.	.	115230 OWNER'S MANUAL	1
.	.	119946 PULSE/CLOTHES CLIP	1
.	.	017088 LOCK KNOB	1
.	.	014156 LOCK KNOB WASHER	1
.	.	105458 HARDWARE KIT	1
.	.	016028 WRENCH CLIP	1
.	.	045010 ALLEN WRENCH	1
.	.	105722 3" SIDERAIL BOLT	1
.	.	105477 SIDERAIL NUT	1