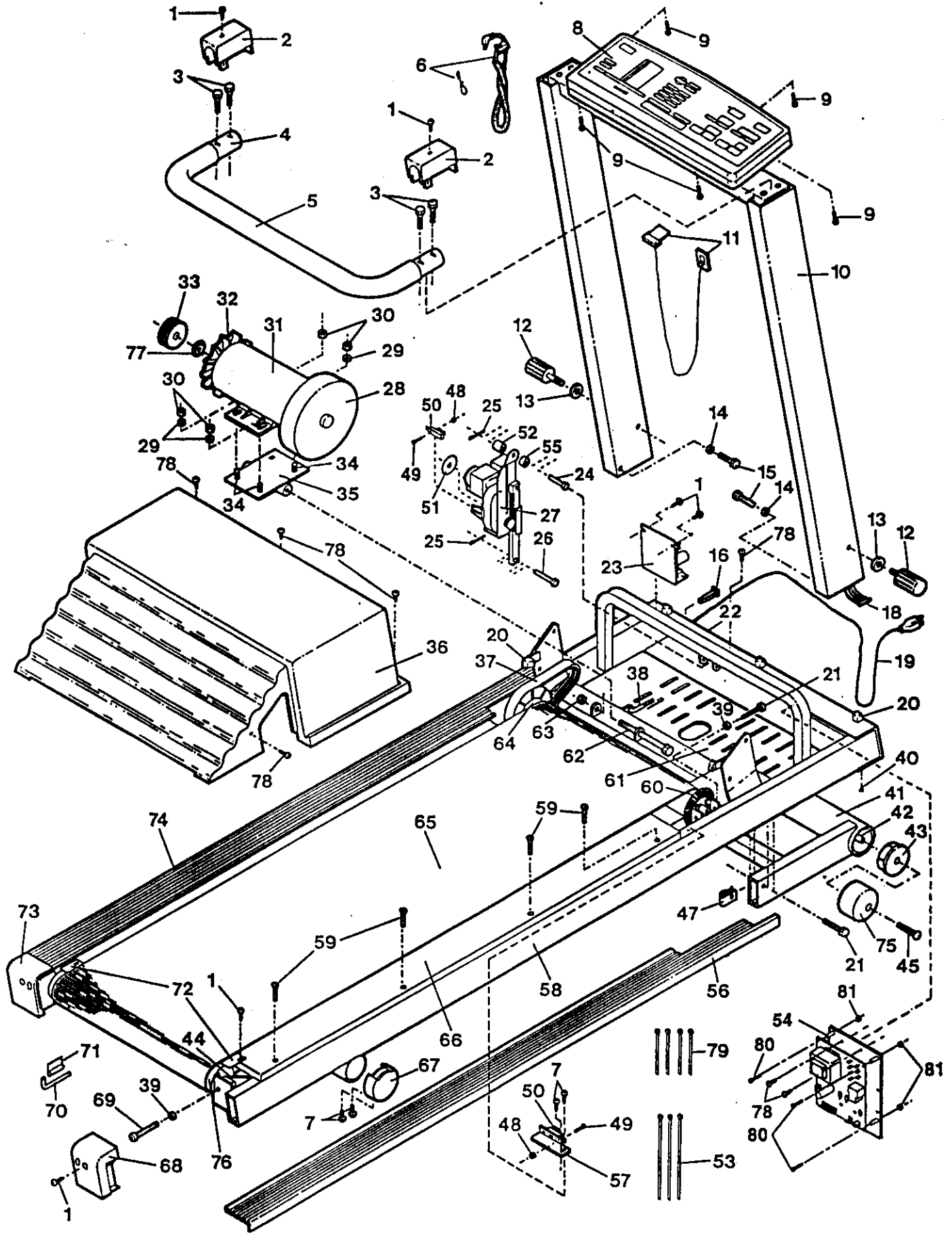


# EXPLODED DRAWING—Model No. IM393513

R894A



MODEL NUMBER: IM39351  
VERSION: 03  
PRODUCT NAME: IMAGE 935  
PRODUCT DESC: TREADMILL

MODEL/PART BOOK LISTING

PAGE 1  
INI023P1  
RUN DATE: 9/04/96  
RUN TIME: 17:14:21

KEY NUMBER	PART NUMBER	DESCRIPTION	QUANTITY
	.	IMAGE 935 TREADMILL	0
1	013300	3/4" SCREW	8
2	102314	UPRIGHT CAP	2
3	013500	HANDRAIL BOLT	4
4	107417	HANDRAIL W/FOAM GRIP	1
	.	102309 HANDRAIL	1
	.	102541 FOAM GRIP	1
5	102541	HANDRAIL FOAM GRIP	1
6	119946	PULSE/CLOTHES CLIP	1
7	013162	1/2" SCREW	7
8	115235	CONSOLE	1
9	104626	CONSOLE SCREW	7
10	119263	UPRIGHT	1
11	114265	SAFETY KEY/CLIP	1
12	017103	LOCK KNOB	2
13	014050	LOCK KNOB WASHER	2
14	014087	UPRIGHT WASHER	2
15	104581	UPRIGHT BOLT	2
16	109382	CIRCUIT BREAKER	1
17	120460	POWER BOARD	1
	.	118053 POWER BOARD	1
	.	015071 PLASTIC STAND-OFF	4
	.	119478 REPLACEMENT INSTR.	1
#	110463	POWER BOARD FUSE	1
18	117403	WIRE HARNESS	1
19	031229	POWER CORD	1
20	008148	HOOD MOUNT ANCHOR	5
21	107042	FRONT ROLLER/LEG BOLT	3
22	019084	GROMMET	1
23	119482	CONTROLLER	1
	.	112763 CONTROLLER	1
	.	130856 REPLACEMENT INSTR.	1
24	015046	SHORT LIFT MOTOR PIN	1
25	106334	COTTER PIN	2
26	100896	LONG LIFT MOTOR PIN	1
27	123478	LIFT MOTOR	1
28	102746	FLYWHEEL	1
29	101630	MOTOR MOUNT WASHER	3
30	012082	MOTOR MOUNT NUT	4
31	102673	MOTOR	1
32	031226	FAN	1
33	020060	MOTOR PULLEY	1
34	013445	MOTOR MOUNT BOLT	3
35	104551	MOTOR MOUNT	1
	.	102324 MOTOR MOUNT PLATE	1
	.	103271 MOTOR MOUNT BKT	1
36	121122	MOTOR HOOD	1
	.	102295 MOTOR HOOD	1
	.	102294 MOTOR HOOD DECAL	1
	.	119264 WIRE DIAGRAM DECAL	1
37	106939	BELT	1
38	103855	J-BOLT	1
39	014041	ADJUSTMENT WASHER	3
40	013088	SAFETY COVER SCREW	14

MODEL NUMBER: IM39351  
VERSION: 03  
PRODUCT NAME: IMAGE 935  
PRODUCT DESC: TREADMILL

MODEL/PART BOOK LISTING

PAGE 2  
INI023P1  
RUN DATE: 9/04/96  
RUN TIME: 17:14:21

KEY NUMBER	PART NUMBER	DESCRIPTION	QUANTITY
41	102302	INCLINE LEG	1
42	102536	LEG SHAFT	1
43	019191	BUSHING	2
44	105000	REAR ROLLER SPACER	2
45	013556	WHEEL BOLT	2
46	114037	POWER BOARD PLATE	1
47	012179	U-NUT	2
48	012152	SMALL NUT	2
49	102959	SMALL BOLT	2
50	102955	PHOTO INTERRUPT SWITCH	2
51	109370	INCLINE OPTIC DISK	1
52	101605	LONG INCLINE MOTOR SPACER	1
53	016057	8" CABLE TIE	3
54	118051	PLASTIC SPACER	4
55	114270	SHORT INCLINE MTR SPACER	2
56	107420	RIGHT FOOT RAIL	1
.	.	102538 RIGHT DECK RAIL	1
.	.	127860 NAIL	6
.	.	107103 REPLACEMENT INSTR.	1
57	102901	BRACKET	1
58	NSP	FRAME	1
59	100691	PLATFORM BOLT	8
60	121081	SPEED DISC	1
.	.	117987 SPEED DISC	1
.	.	103336 MOUNTING TAPE	1
61	102310	SAFETY COVER	1
62	104903	SWIVEL BOLT	1
63	012081	SWIVEL NUT	1
64	121080	FRONT ROLLER/PULLEY	1
65	123831	WALKING BELT W/FASTENERS	1
.	.	123830 WALKING BELT	1
.	.	127860 NAIL	12
.	.	110585 REPLACEMENT INSTR.	1
66	124575	WALKING BOARD W/FASTENERS	1
.	.	124574 WALKING BOARD	1
.	.	127860 NAIL	12
.	.	110585 REPLACEMENT INSTR.	1
.	.	NOTE: THIS ASSEMBLY HAS	0
.	.	BEEN CHANGED FROM THE	0
.	.	ORIGINAL WAXED BOARD	0
67	040156	REAR LEG ENDCAP	2
68	102519	RIGHT ENDCAP	1
69	112592	REAR ROLLER ADJ. BOLT	2
70	045020	ALLEN WRENCH	1
71	016028	WRENCH CLIP	1
72	010206	ROLLER GUARD	2
73	102518	LEFT ENDCAP	1
74	107419	LEFT FOOT RAIL	1
.	.	102537 LEFT DECK RAIL	1
.	.	127860 NAIL	6
.	.	107103 REPLACEMENT INSTR.	1
75	102681	FRONT WHEEL	2
76	119242	REAR ROLLER	1
77	102603	FAN PUSHNUT	1

MODEL NUMBER: IM39351  
VERSION: 03  
PRODUCT NAME: IMAGE 935  
PRODUCT DESC: TREADMILL

MODEL/PART BOOK LISTING

PAGE 3  
INI023P1  
RUN DATE: 9/04/96  
RUN TIME: 17:14:21

KEY NUMBER	PART NUMBER	DESCRIPTION	QUANTITY
78	013423	#8 X 1/2" SCREW	13
79	016029	4" CABLE TIE	4
80	118050	POWER BOARD SCREW	4
81	117405	POWER BOARD NUT	4
.	.	NON-ILLUSTRATED PARTS:	0
#	102633	20" PHOTO SWITCH WIRE	1
#	109251	CONSOLE WIRE HARNESS	2
#	102247	20"BLACK JUMPER WIRE,2F	1
#	102634	8" GROUND WIRE	1
#	113203	6" CABLE LOOM	2
#	113204	12" CABLE LOOM	1
#	112083	8" BLUE JUMPER WIRE,2F	1
#	103823	14" WHITE JUMPER WIRE,M/F	1
#	105989	14" WIRE HRNS,CNTRL/PWR	1
#	119264	WIRE DIAGRAM DECAL	1
#	102294	MOTOR HOOD DECAL	1
#	119801	OWNERS MANUAL	1
#	119802	LITERATURE PACKET	1
.	.	119801 OWNERS MANUAL	1
.	.	119946 PULSE/CLOTHES CLIP	1
.	.	045020 ALLEN WRENCH	1
.	.	016028 TOOL CLAMP	1
.	.	014050 WASHER	2
.	.	017103 KNOB	2