

# PART LIST- Model No. IM393510

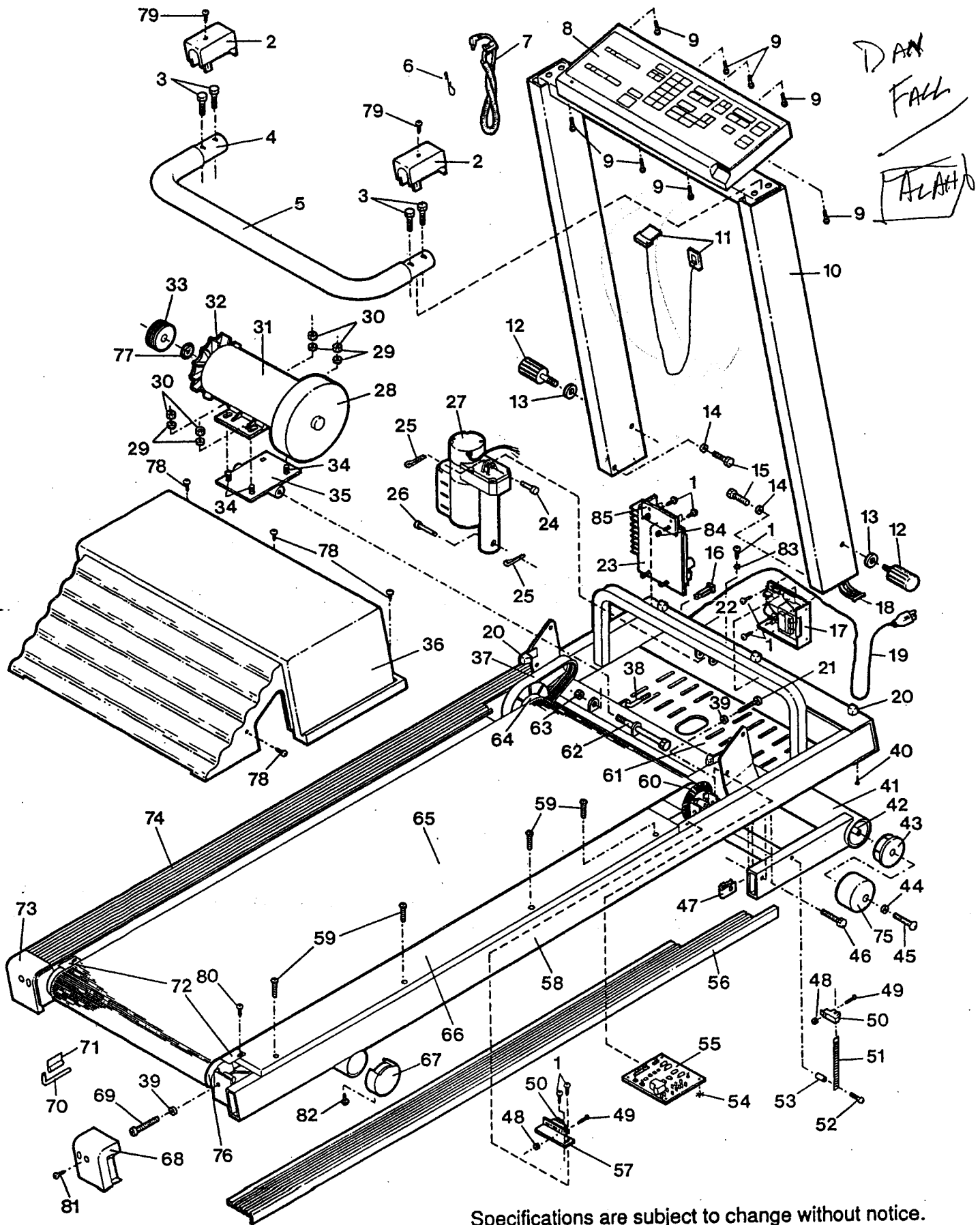
Rev. 9/91

Key No.	Qty.	Description	Key No.	Qty.	Description
1	8	Small Screw	44	2	Wheel Washer
2	2	Upright Cap	45	2	Wheel Bolt
3	4	Handrail Bolt	46	2	Incline Leg Bolt
4	1	Handrail/Foam	47	2	U-Nut
5	1	Handrail Foam	48	2	Small Nut
6	1	Clothes Clip	49	2	Small Bolt
7	1	Pulse Earclip	50	2	Photo Interrupt Switch
8	1	Console	51	1	Incline Ladder
9	10	Console Screw	52	1	Ladder Bolt
10	1	Upright	53	1	Spacer
11	1	Safety Key/Clip	54	4	Plastic Standoff
12	2	Upright Knob	55	1	Interface Board
13	2	Knob Washer	56	1	Right Foot Rail
14	2	Upright Washer	57	1	Bracket
15	2	Upright Bolt	58	1	Frame
16	1	Circuit Breaker	59	8	Platform Bolt
17	1	Power Board	60	1	Speed Encoder
18	1	Wire Harness	61	1	Safety Cover
19	1	Power Cord	62	1	Swivel Bolt
20	5	Hood Mount Anchor	63	1	Swivel Nut
21	1	Front Roller Adjustment Bolt	64	1	Front Roller/Pulley
22	1	Grommet	65	1	Walking Belt
23	1	Controller	66	1	Walking Platform
24	1	Short Lift Motor Pin	67	2	Rear Leg Endcap
25	2	Cotter Pin	68	1	Right Endcap
26	1	Long Lift Motor Pin	69	2	Rear Roller Adjustment Bolt
27	1	Lift Motor	70	1	Allen Wrench
28	1	Flywheel	71	1	Wrench Clip
29	4	Motor Mount Washer	72	2	Roller Guard
30	4	Motor Mount Nut	73	1	Left Endcap
31	1	Motor	74	1	Left Foot Rail
32	1	Fan	75	2	Front Wheel
33	1	Motor Pulley	76	1	Rear Roller
34	3	Motor Mount Bolt	77	1	Fan Pushnut
35	1	Motor Mount	78	5	Hood Screw
36	1	Motor Hood/Decal	79	2	Upright Cap Screw
37	1	Belt	80	2	Roller Guard Screw
38	1	J-Bolt	81	2	Endcap Screw
39	3	Adjustment Washer	82	2	Rear Leg Screw
40	14	Plastic Fastener	83	2	Ground Washer
41	1	Incline Leg	84	2	Controller Nut
42	1	Leg Shaft	85	1	Controller Plate
43	2	Bushing	#	1	Owner's Manual

Note: "#" indicates a non-illustrated part. Specifications are subject to change without notice. See the back cover for information about ordering replacement parts.

# EXPLODED DRAWING- Model No. IM393510

Rev. 9/91



Specifications are subject to change without notice.