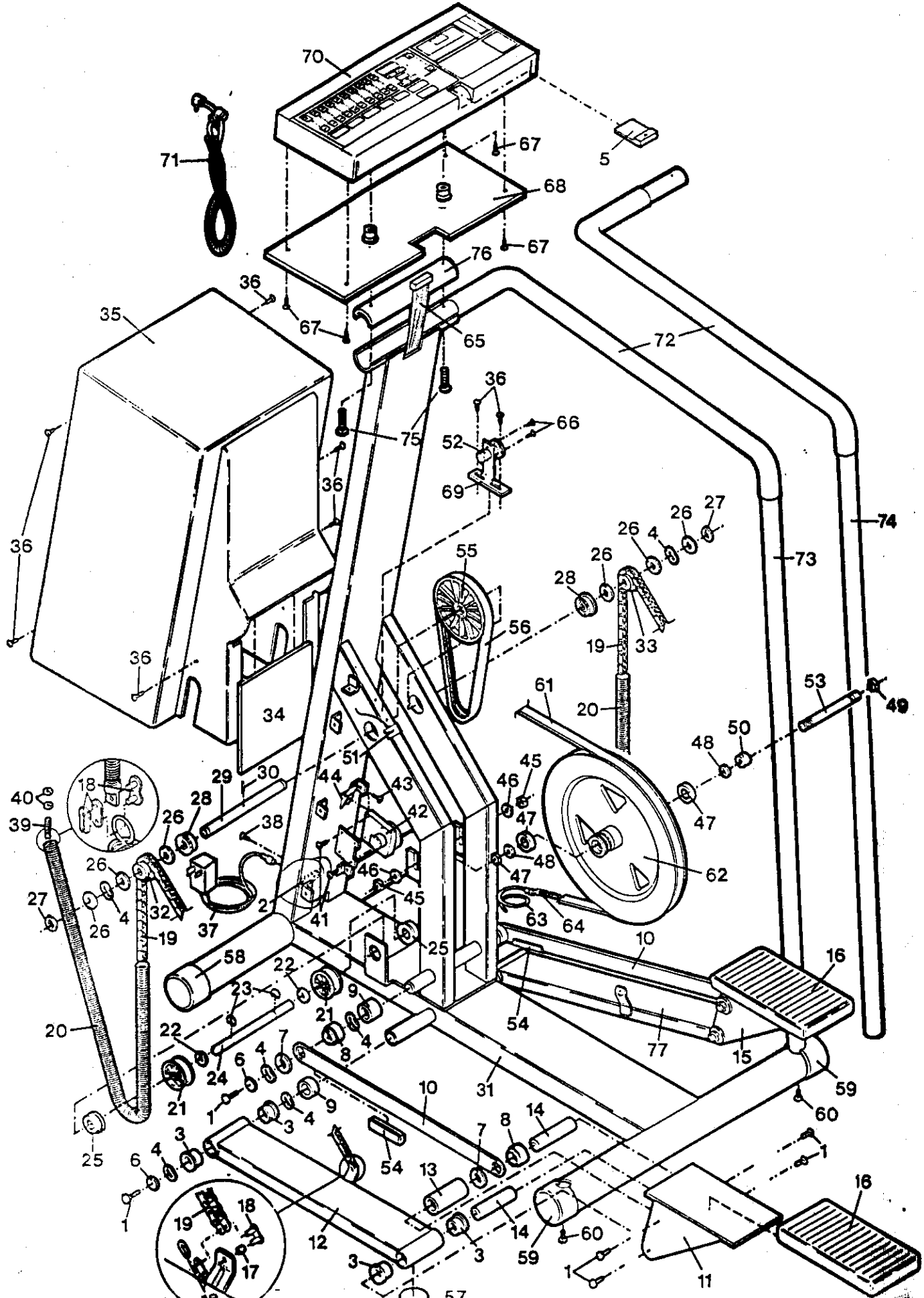


# EXPLODED DRAWING—Model No. IM523000

3-95  
Rev. 500



MODEL NUMBER: IM52300  
VERSION: 00  
PRODUCT NAME: IMAGE 850  
PRODUCT DESC:

MODEL/PART BOOK LISTING

PAGE 1  
INI023P1  
RUN DATE: 2/08/97  
RUN TIME: 11:42:52

KEY NUMBER	PART NUMBER	DESCRIPTION	QUANTITY
1	013484	PEDAL SCREW	12
2	.	SEE KEY#65	1
3	102936	PEDAL ARM BUSHING	8
4	102960	SPRING WASHER	6
5	100933	POWER KEY	1
6	102945	WASHER	4
7	102972	LINK ARM WASHER	4
8	102371	LINK ARM BUSHING	4
9	102966	LINK ARM SPACER	4
10	118157	LINK ARM ASSEMBLY	2
11	119420	LEFT PEDAL	1
12	102967	LEFT PEDAL ARM	1
13	NLA	PEDAL SLEEVE	2
14	102373	PEDAL PIVOT	4
15	119419	RIGHT PEDAL	1
16	104458	PEDAL COVER ASSEMBLY	2
17	102353	MASTER LINK BUSHING	2
18	104111	MASTER LINK	4
19	102926	CHAIN	2
20	124855	CHAIN SPRING	2
21	103341	SPRING PULLEY	2
22	102973	SPRING AXLE WASHER	2
23	054016	E-CLIP	2
24	102927	SPRING AXLE	1
25	103324	SPRING AXLE BUSHING	2
26	102350	THRUST WASHER	6
27	104365	SNAP RING	2
28	102348	CHAIN AXLE BEARING	2
29	102342	CHAIN AXLE	1
30	102961	ROLL PIN	1
31	NSP	FRAME	1
32	118108	L/R SPROCKET ASSEMBLY	1
33	.	SEE KEY# 32	1
34	102369	HOOD PANEL	1
35	108892	HOOD W/DECAL	1
36	013484	SCREW	8
37	104216	POWER CORD	1
38	013511	POWER PLUG SCREW	1
39	104583	SPRING TENSION BOLT	2
40	012090	SPRING TENSION NUT	4
41	106931	TENSION MOTOR SCREW	2
42	103888	TENSION MOTOR	1
43	013322	TENSION BUCKLE SCREW	1
44	050001	TENSION BUCKLE	1
45	012175	OUTER FLYWHEEL NUT	2
46	101982	OUTER FLYWHEEL WASHER	2
47	102356	FLYWHEEL BEARING	2
48	014004	BEVELED WASHER	2
49	101980	INNER FLYWHEEL NUT	2
50	019020	FLYWHEEL SPACER	1
51	115569	REED SWITCH	1
52	107095	VOLTAGE METER	1
53	102357	FLYWHEEL AXLE	1
54	102948	LINK ARM BUMPER	2

MODEL NUMBER: IM52300  
VERSION: 00  
PRODUCT NAME: IMAGE 850  
PRODUCT DESC:

MODEL/PART BOOK LISTING

PAGE 2

INI023P1

RUN DATE: 2/08/97

RUN TIME: 11:42:52

KEY NUMBER	PART NUMBER	DESCRIPTION	QUANTITY
55	103326	DRIVE PULLEY	1
56	102932	DRIVE BELT	1
57	102934	PEDAL ARM BUMPER	2
58	102930	FRONT STABILIZER ENDCAP	2
59	102935	REAR STABILIZER ENDCAP	2
60	013561	HANDRAIL BOLT	2
61	102370	RESISTANCE STRAP	1
62	NLA	FLYWHEEL W/BEARINGS	1
63	101931	TENSION ROPE	1
64	102975	SPRING ASSEMBLY	1
65	104214	WIRE HARNESS	1
66	103860	VOLTAGE METER SCREW	2
67	013322	CONSOLE SCREW	4
68	106989	CONSOLE PLATE	1
69	107096	VOLTAGE METER BRACKET	1
70	108067	CONSOLE ASSEMBLY	1
71	119946	PULSE/CLOTHES CLIP ASSY.	1
72	104140	HANDRAIL FOAM GRIP	2
73	108895	RIGHT HANDRAIL W/FOAM	1
74	108907	LEFT HANDRAIL W/FOAM	1
75	013561	LONG HANDRAIL BOLT	2
76	108229	HANDRAIL BRACKET	1
77	103328	RIGHT PEDAL ARM	1
#	102925	FLYWHEEL PULLEY	1
#	045010	ALLEN WRENCH	1
#	102156	HOOD DECAL	2
#	107490	LINK ARM WARNING DECAL	2
#	102951	OWNERS MANUAL	1
	102950	LITERATURE PACKET	1
.		102951 OWNERS MANUAL	1
.		045010 ALLEN WRENCH	1
.		101508 PULSE CLIP	1
.		100933 POWER KEY	1