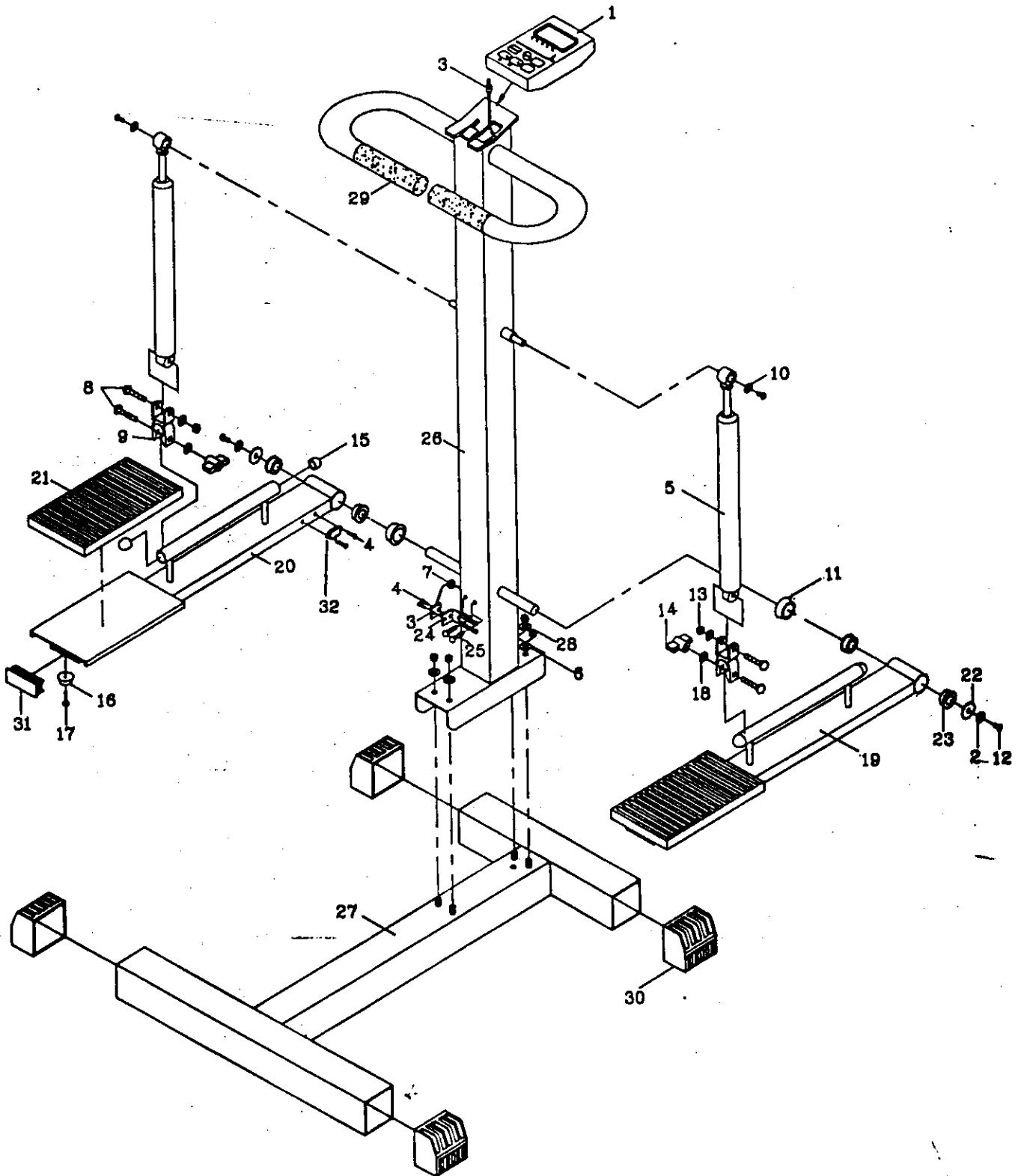


EXPLODED DRAWING - Model No. IM538320

Specifications are subject to change without notice.



MODEL NUMBER: IM53832
 VERSION: 00
 PRODUCT NAME: IMAGE 832
 PRODUCT DESC:

MODEL/PART BOOK LISTING

PAGE 1
 INI023P1
 RUN DATE: //16/97
 RUN TIME: 12:57:32

KEY NUMBER	PART NUMBER	DESCRIPTION	QUANTITY
	.	IMAGE 832 STEPPER	0
1	114705	ELECTRONIC MONITOR	1
2	102945	5/16" LOCK WASHER	2
3	116368	MONITOR WIRE/REED SWITCH	1
4	013300	REED SWITCH SCREW	2
5	121810	RESISTANCE CYLINDER ASSY	2
6	112006	3/8" LOCK WASHER	4
7	104389	GROMMET	1
8	100326	CYLINDER MOUNT BOLT	4
9	016022	CYLINDER MOUNT	2
10	014129	CYLINDER WASHER	2
11	104568	AXLE SPACER	2
12	013535	SCREW	4
13	012150	NYLON NUT	2
14	100108	LOCK KNOB	2
15	104186	ADJUSTMENT TUBE ENDCAP	4
16	005040	BUMPER	2
17	013509	BUMPER SCREW	2
18	014073	CYLINDER MOUNT WASHER	4
19	119791	RIGHT PEDAL ASSEMBLY	1
20	119790	LEFT PEDAL ASSEMBLY	1
21	104458	PEDAL COVER	2
22	102945	PEDAL WASHER	2
23	104190	PEDAL BUSHING	4
24	119772	SENSOR BRACKET	1
25	102420	WASHER SCREW	2
26	119979	UPRIGHT W/CAUTION DECAL	1
27	104171	BASE	1
28	012108	FRAME NUT	4
29	104567	HANDLEBAR	1
30	119773	BASE ENDCAP	4
31	119774	PEDAL ENDCAP	2
32	107094	MAGNET	1
33	.	NON-ILLUSTRATED PARTS	0
A	NLA	BATTERY (AA)	2
B	NLA	PEDAL DECAL	2
C	109591	CAUTION HOT DECAL	1
D	119775	OWNER'S MANUAL	1
	119783	HARDWARE KIT	1
	.	012108 FRAME NUT	4
	.	112006 LOCK WASHER	4
	.	014087 3/8" FLAT WASHER	4
	.	012150 NYLON NUT	2
	.	013535 SCREW	2
	.	014105 5/16" FLAT WASHER	2
	.	100108 LOCK KNOB	2
	.	016022 CYLINDER MOUNT	2
	.	013205 CARRIAGE BOLT	1