

PART LIST - Model No. IM538331

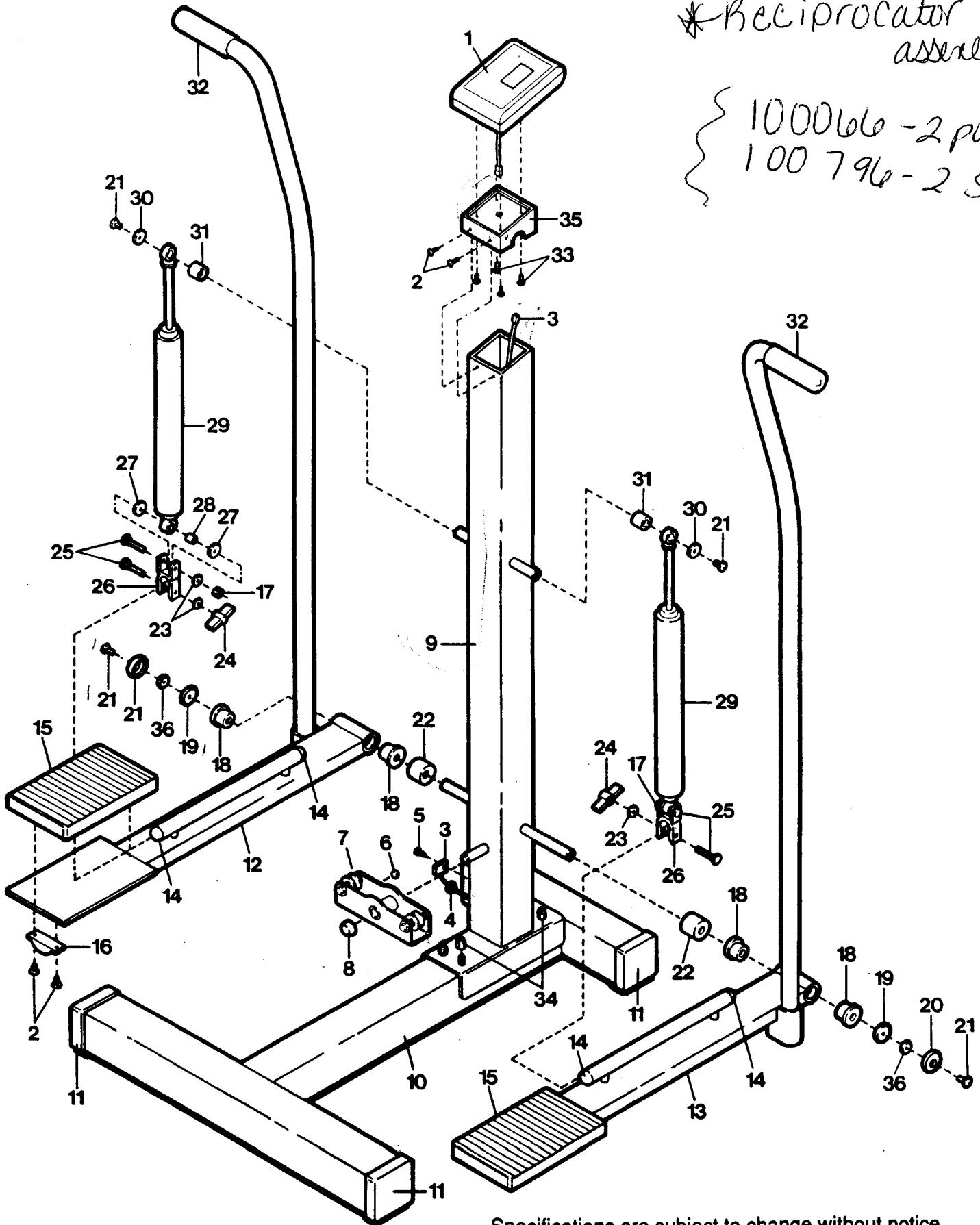
Rev. 9/91

Key No.	Qty.	Description	Key No.	Qty.	Description
1	1	Electronic Monitor	21	4	Screw
2	6	Mounting Screw	22	2	Axle Spacer
3	1	Sensor Wire/Reed Switch	23	4	Bracket Washer
4	1	Grommet	24	2	Lock Knob
5	1	Reed Switch Screw	25	4	Bracket Bolt
6	1	Magnet	26	2	Cylinder Bracket
7	1	Reciprocator	27	4	Lower Spacer
8	1	Reciprocator Pushnut	28	2	Cylinder Bushing
9	1	Main Frame	29	2	Resistance Cylinder
10	1	Base	30	2	Cylinder Washer
11	4	Base Endcap	31	2	Upper Spacer
12	1	Left Pedal	32	2	Handlebar Foam
13	1	Right Pedal	33	4	Monitor Screw
14	4	Adjustment Tube Endcap	34	4	Frame Nut
15	2	Pedal Foot Pad	35	1	Monitor Bracket
16	2	Bumper	36	2	Zinc Washer
17	2	Nylock Nut	#	1	Owner's Manual
18	4	Pedal Bushing	#	1	Grease
19	2	Pedal Washer	#	1	Allen Wrench
20	2	Bushing Cap			

Note: "#" indicates a non-illustrated part. Specifications are subject to change without notice. See the back cover for information about ordering replacement parts.

*Reciprocator
assembly:

100066 - 2 pulley
100796 - 2 Spring



Specifications are subject to change without notice.