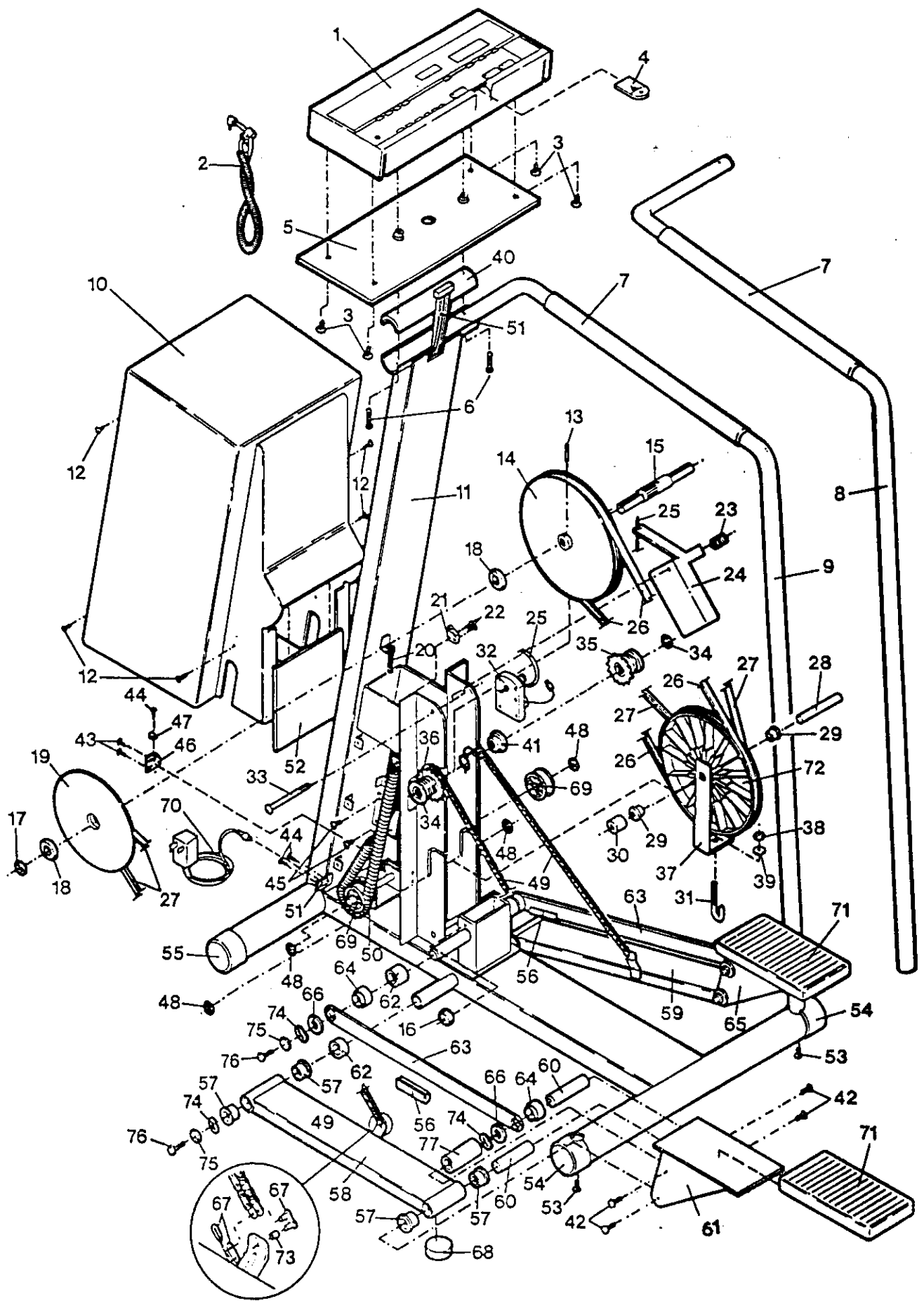


EXPLODED DRAWING—MODEL NO. IM538550

Rev. 12-92



MODEL NUMBER: IM53855
VERSION: 00
PRODUCT NAME: IMAGE 855
PRODUCT DESC:

MODEL/PART BOOK LISTING

PAGE 1
INI023P1
RUN DATE: 2/08/97
RUN TIME: 11:44:05

KEY NUMBER	PART NUMBER	DESCRIPTION	QUANTITY
1	112689	CONSOLE ASSEMBLY	1
2	119946	PULSE/CLOTHES CLIP ASSY.	1
3	013423	CONSOLE SCREW	4
4	100933	POWER KEY	1
5	106989	CONSOLE PLATE	1
6	013561	CONSOLE BOLT	2
7	103072	HANDRAIL FOAM GRIP	2
8	112491	LEFT SIDERAIL W/FOAM	1
9	112492	RIGHT SIDERAIL W/FOAM	1
10	112324	HOOD ASSEMBLY	1
11	NSP	FRAME	1
12	013511	SCREW	8
13	109701	ROLL PIN	1
14	109555	DRIVE PULLEY	1
15	109548	DRIVE SHAFT	1
16	105309	SMALL SPACER	2
17	110651	THIN SPACER	1
18	018030	BEARING	2
19	109556	RESISTANCE DISK	1
20	109570	SMALL TENSION SPRING	1
21	111070	LIMIT SWITCH	1
22	107276	LIMIT SWITCH SCREW	2
23	109571	LARGE TENSION SPRING	1
24	113389	TENSION BRACKET	1
25	116267	TENSION ROPE	1
26	109560	DRIVE BELT	1
27	109559	TENSION PULLEY BELT	1
28	109565	PULLEY AXLE	1
29	111007	SMALL BUSHING	2
30	109566	LARGE SPACER	1
31	111011	J-BOLT	1
32	110221	TENSION MOTOR	1
33	104925	ADJUSTMENT BOLT	1
34	112488	LARGE PUSHNUT	2
35	118108	L/R CLUTCH ASSEMBLY	1
36	.	SEE KEY #35	1
37	111009	PULLEY BRACKET	1
38	012082	NUT	1
39	014131	J-BOLT WASHER	1
40	108229	HANDRAIL SADDLE BRACKET	1
41	109553	TABBED BUSHING	2
42	013484	PEDAL SCREW	12
43	013162	SENSOR BRACKET SCREW	2
44	103860	SMALL SCREW	3
45	101049	TENSION MOTOR SCREW	2
46	116937	SENSOR BRACKET	1
47	110220	OPTIC SENSOR WIRE HARNESS	1
48	105496	SMALL PUSHNUT	4
49	111408	PEDAL CHAIN	2
50	124855	PEDAL SPRING	2
51	109575	WIRE HARNESS/POWER PLUG	1
52	102369	ACCESS COVER	1
53	107042	SIDERAIL MOUNTING BOLT	2
54	102935	REAR STABILIZER ENDCAP	2

MODEL NUMBER: IM53855
 VERSION: 00
 PRODUCT NAME: IMAGE 855
 PRODUCT DESC:

MODEL/PART BOOK LISTING

PAGE 2
 INI023P1
 RUN DATE: 2/08/97
 RUN TIME: 11:44:05

KEY NUMBER	PART NUMBER	DESCRIPTION	QUANTITY
55	102930	FRONT STABILIZER ENDCAP	2
56	102948	LINK ARM BUMPER	2
57	102936	PEDAL ARM BUSHING	8
58	111227	LEFT PEDAL ARM	1
59	111226	RIGHT PEDAL ARM	1
60	102373	PEDAL PIVOT	4
61	119420	LEFT PEDAL	1
62	102966	LINK ARM SPACER	4
63	118157	LINK ARM ASSEMBLY	2
64	102371	LINK ARM BUSHING	4
65	119419	RIGHT PEDAL	1
66	102972	LINK ARM WASHER	4
67	104111	MASTER LINK ASSEMBLY	4
68	102934	PEDAL ARM BUMPER	2
69	103341	SPRING PULLEY	2
70	110307	POWER CORD	1
71	104458	PEDAL COVER W/TAPE	2
72	109557	TENSION PULLEY	1
73	102353	MASTER LINK BUSHING	4
74	102960	SPRING WASHER	6
75	102945	LINK ARM/PEDAL WASHER	4
76	013484	LINK ARM/PEDAL SCREW	4
77	103325	PEDAL SPACER	2
.	.	NON-ILLUSTRATED PARTS:	0
#	107490	LINK ARM WARNING DECAL	2
#	045010	ALLEN WRENCH	1
#	111397	HOOD DECAL	1
#	111393	OWNER'S MANUAL	1
#	111394	LITERATURE PACKET	1
.	.	111393 OWNER'S MANUAL	1
.	.	045010 ALLEN WRENCH	1
.	.	112589 PULSE/CLOTHES CLIP	1
.	.	100933 POWER KEY	1