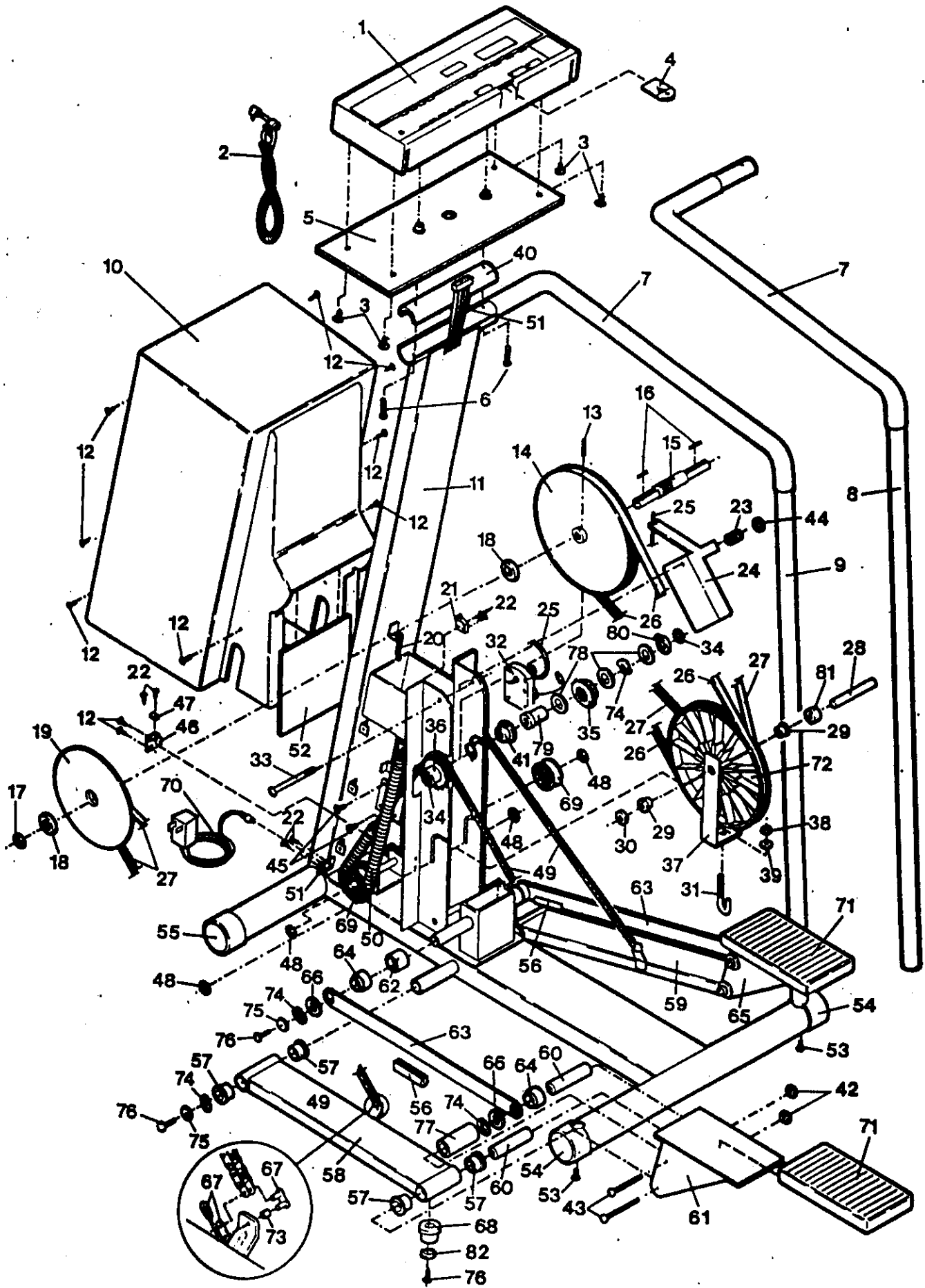


EXPLODED DRAWING—MODEL NO. IM538553

R0495A



MODEL NUMBER: IM53855
VERSION: 03
PRODUCT NAME: IMAGE 855
PRODUCT DESC:

MODEL/PART BOOK LISTING

PAGE 1

INI023P1

RUN DATE: 2/08/97

RUN TIME: 11:44:23

KEY NUMBER	PART NUMBER	DESCRIPTION	QUANTITY
1	112689	CONSOLE ASSEMBLY	1
2	119946	PULSE/CLOTHES CLIP ASSY.	1
3	013423	CONSOLE SCREW	4
4	100933	POWER KEY	1
5	120134	CONSOLE PLATE *	1
6	013561	CONSOLE BOLT	2
7	103072	HANDRAIL FOAM GRIP	2
8	112491	LEFT SIDERAIL W/FOAM	1
9	112492	RIGHT SIDERAIL W/FOAM	1
10	112324	HOOD ASSEMBLY	1
11	NSP	FRAME	1
12	013511	SCREW	10
13	109701	ROLL PIN	1
14	109555	DRIVE PULLEY	1
15	115635	DRIVE SHAFT	1
16	112737	KEY STOCK	2
17	110651	THIN SPACER	1
18	018030	BEARING	2
19	109556	RESISTANCE DISK	1
20	109570	SMALL TENSION SPRING	1
21	031200	LIMIT SWITCH	1
22	101577	BRACKET SCREW	6
23	109571	LARGE TENSION SPRING	1
24	113389	TENSION BRACKET	1
25	116267	TENSION ROPE	1
26	109560	DRIVE BELT	1
27	109559	TENSION PULLEY BELT	1
28	109565	PULLEY AXLE	1
29	111007	SMALL BUSHING	2
30	112628	PULLEY AXLE SPACER	1
31	111011	J-BOLT	1
32	110221	TENSION MOTOR	1
33	104925	ADJUSTMENT BOLT	1
34	112488	LARGE PUSHNUT	2
35	118108	R/L SPROCKET ASSEMBLY	1
36	.	SEE KEY# 35	1
37	109563	PULLEY BRACKET	1
38	012082	NUT	1
39	014131	J-BOLT WASHER	1
40	108229	HANDRAIL SADDLE BRACKET	1
41	109553	TABBED BUSHING	2
42	012056	NYLON LOCK NUT	4
43	124280	5/16" X 4.5" SCREW	4
44	012108	ADJUSTMENT NUT	1
45	101049	TENSION MOTOR SCREW	2
46	116937	SENSOR BRACKET	1
47	110220	OPTIC SENSOR WIRE HARNESS	1
48	105496	SMALL PUSHNUT	4
49	111408	PEDAL CHAIN	2
50	124855	PEDAL SPRING	2
51	118539	WIRE HARNESS/POWER PLUG	1
52	102369	ACCESS COVER	1
53	107042	SIDERAIL MOUNTING BOLT	2
54	102935	REAR STABILIZER ENDCAP	2

MODEL NUMBER: IM53855
 VERSION: 03
 PRODUCT NAME: IMAGE 855
 PRODUCT DESC:

MODEL/PART BOOK LISTING

PAGE 2
 NI023P1
 RUN DATE: 2/08/97
 RUN TIME: 11:44:23

KEY NUMBER	PART NUMBER	DESCRIPTION	QUANTITY
55	102930	FRONT STABILIZER ENDCAP	2
56	102948	LINK ARM BUMPER	2
57	102936	PEDAL ARM BUSHING	8
58	111227	LEFT PEDAL ARM	1
59	111226	RIGHT PEDAL ARM	1
60	124335	PEDAL PIVOT	4
61	119420	LEFT PEDAL	2
62	102966	LINK ARM SPACER	6
63	118157	LINK ARM ASSEMBLY	2
64	102371	LINK ARM BUSHING	4
65	119419	RIGHT PEDAL	1
66	102972	LINK ARM WASHER	4
67	104111	MASTER LINK ASSEMBLY	4
68	104444	PEDAL ARM BUMPER	2
69	103341	SPRING PULLEY	2
70	110307	POWER CORD	1
71	104458	PEDAL COVER W/TAPE	2
72	109557	TENSION PULLEY	1
73	102353	MASTER LINK BUSHING	4
74	102960	SPRING WASHER	6
75	102945	WASHER	4
76	013300	BUMPER SCREW	2
77	103325	PEDAL SPACER	2
78	102350	SHAFT WASHER	6
79	112729	SPROCKET BUSHING	2
80	104365	RETAINER	2
81	112627	LARGE SPACER	1
82	014041	BUMPER WASHER	2
.	.	NON-ILLUSTRATED PARTS:	0
#	045010	ALLEN WRENCH	1
#	107490	LINK ARM WARNING DECAL	2
#	111397	HOOD DECAL	1
#	124714	OWNER'S MANUAL W/CN *	1
.	.	119452 OM-VERSION 2	1
.	.	124706 CN-VERSION ID	1
#	124342	LITERATURE PACKET *	1
.	.	119452 OM-VERSION 2	1
.	.	124706 CN-VERSION ID	1
.	.	045010 ALLEN WRENCH	1
.	.	119946 PULSE EARCLIP	1
.	.	100933 POWER KEY	1
.	.	** - THESE ARE ESTIMATED	0
.	.	COSTS!!	0