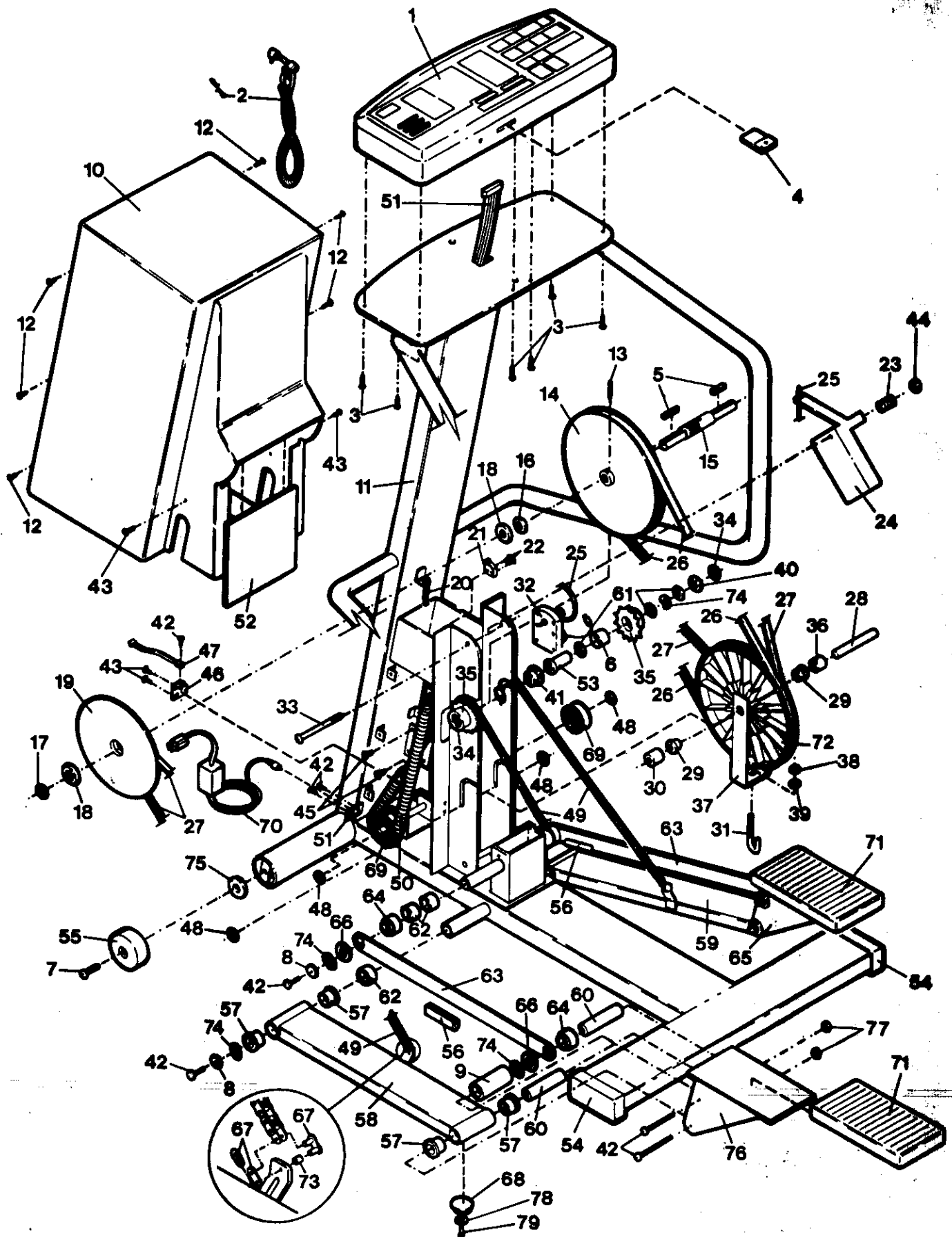


# EXPLODED DRAWING-MODEL NO. IM587732

R0395A



MODEL NUMBER: IM58773  
VERSION: 02  
PRODUCT NAME: IMAGE 877  
PRODUCT DESC:

MODEL/PART BOOK LISTING

PAGE 1  
INI023P1  
RUN DATE: 2/08/97  
RUN TIME: 11:44:54

KEY NUMBER	PART NUMBER	DESCRIPTION	QUANTITY
	.	IMAGE 877 STEPPER	0
1	115937	PROGRAMMABLE CONSOLE	1
2	119946	PULSE/CLOTHES CLIP	1
3	013423	CONSOLE SCREW	6
4	100933	POWER KEY	1
5	112737	DRIVE SHAFT KEY	2
6	102346	CLUTCH BEARING	1
7	013544	SCREW	2
8	102945	WASHER	4
9	103325	PEDAL SLEEVE	2
10	116560	HOOD ASSEMBLY	1
11	NSP	FRAME	1
12	013511	HOOD SCREW	6
13	109701	ROLL PIN	1
14	109555	DRIVE PULLEY	1
15	115635	DRIVE SHAFT	1
16	112627	DRIVE PULLEY SPACER	1
17	110651	THIN SPACER	1
18	018030	BEARING	2
19	109556	RESISTANCE DISK	1
20	109570	SMALL TENSION SPRING	1
21	031200	LIMIT SWITCH	1
22	101577	LIMIT SWITCH SCREW	2
23	109571	LARGE TENSION SPRING	1
24	113389	TENSION BRACKET	1
25	116267	TENSION ROPE	1
26	109560	DRIVE BELT	1
27	109559	TENSION PULLEY BELT	1
28	109565	PULLEY AXLE	1
29	111007	SMALL BUSHING	2
30	112627	PULLEY AXLE SPACER	1
31	111011	J-BOLT	1
32	110221	TENSION MOTOR	1
33	104925	ADJUSTMENT BOLT	1
34	112488	LARGE PUSHNUT	2
35	102931	SPROCKET	2
36	112628	LARGE SPACER	1
37	109563	PULLEY BRACKET	1
38	012082	NUT	1
39	014131	J-BOLT WASHER	1
40	104365	RETAINER	2
41	109553	TABBED BUSHING	2
42	013484	1/2" SCREW	8
43	013162	MOUNTING SCREW	6
44	012108	ADJUSTMENT NUT	1
45	101049	TENSION MOTOR SCREW	2
46	116937	SENSOR BRACKET	1
47	110220	OPTIC SENSOR	1
48	105496	SMALL PUSHNUT	4
49	111408	PEDAL CHAIN	2
50	124855	PEDAL SPRING	2
51	118539	WIRE HARNESS/POWER PLUG	1
52	102369	HOOD ACCESS COVER	1
53	112729	SPROCKET BUSHING	2

MODEL NUMBER: IM58773  
 VERSION: 02  
 PRODUCT NAME: IMAGE 877  
 PRODUCT DESC:

MODEL/PART BOOK LISTING

PAGE 2  
 INI023P1  
 RUN DATE: 2/08/97  
 RUN TIME: 11:44:54

KEY NUMBER	PART NUMBER	DESCRIPTION	QUANTITY
54	115770	REAR STABILIZER ENDCAP	2
55	115200	FRONT STABILIZER WHEEL	2
56	102948	LINK ARM BUMPER	2
57	102936	PEDAL ARM BUSHING	8
58	115791	LOWER LEFT PEDAL ARM	1
59	115921	LOWER RIGHT PEDAL ARM	1
60	124335	PEDAL PIVOT	4
61	102350	SHAFT WASHER	6
62	102966	LINK ARM SPACER	6
63	118161	LINK ARM ASSEMBLY	2
64	102371	LINK ARM BUSHING	4
65	NLA	RIGHT PEDAL ASSEMBLY	1
66	102972	LINK ARM WASHER	4
67	104111	MASTER LINK ASSEMBLY	4
68	104444	PEDAL ARM BUMPER	2
69	103341	SPRING PULLEY	2
70	109954	POWER CORD	1
71	104458	PEDAL COVER W/TAPE	2
72	109557	TENSION PULLEY	1
73	102353	MASTER LINK BUSHING	4
74	102960	SPRING WASHER	8
75	115769	WHEEL SPACER	2
76	118936	LEFT PEDAL ASSEMBLY	1
77	012056	5/16" NUT	4
78	014041	5/16" FLAT WASHER	2
79	013300	3/4" SCREW	2
80	124280	BOLT	4
.	.	NON-ILLUSTRATED PARTS	0
#	107490	LINK ARM WARNING DECAL	2
#	115938	HOOD DECAL	1
#	124719	OWNER'S MANUAL W/CN	1
.	.	118459 OM-VERSION 1	1
.	.	124712 CN-VERSION ID	1
.	124343	LITERATURE PACKET *	1
.	.	118459 OWNER'S MANUAL	1
.	.	124712 CN-VERSION ID	1
.	.	119946 PULSE/CLOTHES CLIP	1
.	.	100933 POWER KEY	1
.	.	** - THESE ARE ESTIMATED COSTS!!	0
.	.		0