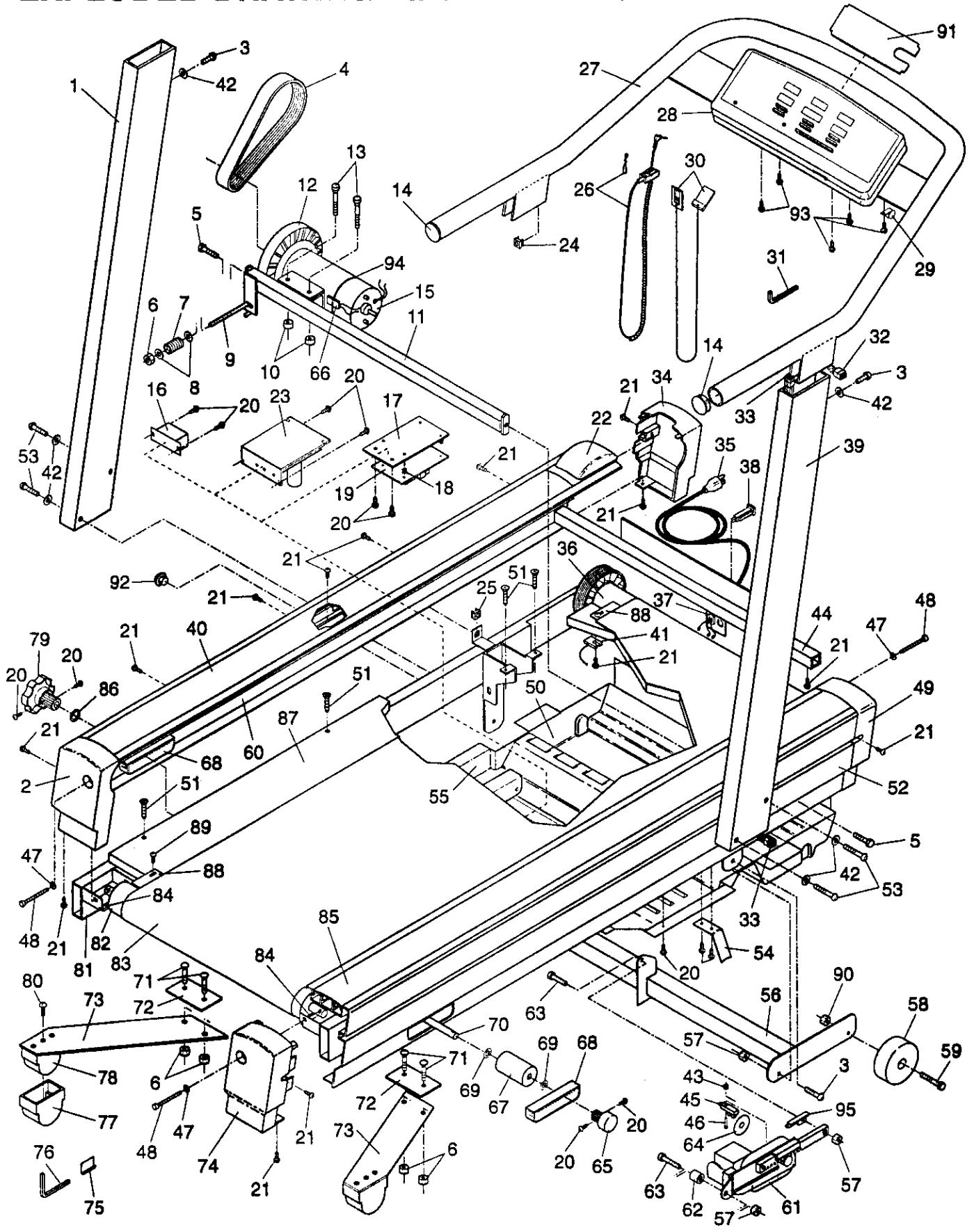


# EXPLODED DRAWING—Model No. IM971031

Rev. 7/95



MODEL NUMBER: IM97103  
VERSION: 01  
PRODUCT NAME: IMAGE 971  
PRODUCT DESC:

MODEL/PART BOOK LISTING

PAGE 1  
INI023P1  
RUN DATE: 4/16/97  
RUN TIME: 12:56:50

KEY NUMBER	PART NUMBER	DESCRIPTION	QUANTITY
	.	IMAGE 971 TREADMILL	0
1	119471	LEFT UPRIGHT	1
2	119484	LEFT REAR ENDCAP	1
3	013438	3/8" X 1" BOLT	4
4	106939	MOTOR BELT	1
5	104624	MOTOR PIVOT BOLT	2
6	012082	5/16" NUT	5
7	104514	TENSION SPRING	1
8	014041	TENSION WASHER	2
9	115269	J-BOLT	1
10	105477	MOTOR NUT	2
11	126652	MOTOR SWIVEL SHAFT	1
12	113278	PULLEY/FLWHEEL/FAN	1
13	123385	MOTOR MOUNT BOLT	2
14	116980	HANDRAIL ENDCAP	2
15	119477	MOTOR	1
15A	119474	MOTOR/PULY/FLWH/FAN	1
16	111998	RELAY SWITCH	1
17	117536	POWER BOARD PLATE	1
18	125819	PLASTIC STAND-OFF	4
19	115650	POWER BOARD	1
20	108080	SMALL SCREW	30
21	104626	SILVER SCREW	16
22	115280	PULLEY COVER	1
23	119482	CONTROLLER	1
24	111430	HANDRAIL CAGE NUT	2
25	111869	UPRIGHT CAGE NUT	4
26	119946	PULSE/CLOTHES CLIP	1
27	115282	HANDRAIL	1
28	119481	CONSOLE	1
29	115872	STRAIN RELIEF	1
30	113961	SAFETY KEY/CLIP	1
31	045017	7/32" ALLEN WRENCH	1
32	115479	HANDRAIL WIRE HARNESS	1
33	115480	UPRIGHT WIRE HARNESS	1
34	119485	LEFT FRONT ENDCAP	1
35	031229	POWER CORD	1
36	125104	FRONT ROLLER/PULLEY	1
37	019084	GROMMET	1
38	109382	CIRCUIT BREAKER	1
39	119473	RIGHT UPRIGHT	1
40	NLA	LEFT RAIL INSERT	1
41	106115	REED SWITCH/SENSOR WIRE	1
42	014132	UPRIGHT WASHER	6
43	012152	SWITCH NUT	1
44	115296	CROSSBAR	1
45	102955	OPTIC SWITCH	1
46	102959	SWITCH BOLT	1
47	014127	BELT ADJUSTMENT WASHER	3
48	013206	BELT ADJUSTMENT BOLT	3
49	119486	RIGHT FRONT ENDCAP	1
50	126752	FRONT SAFETY COVER	1
51	116259	PLATFORM SCREW	9
52	114451	RIGHT FRAME RAIL	1

MODEL NUMBER: IM97103  
VERSION: 01  
PRODUCT NAME: IMAGE 971  
PRODUCT DESC:

MODEL/PART BOOK LISTING

PAGE 2  
INI023P1

RUN DATE: 4/16/97  
RUN TIME: 12:56:50

KEY NUMBER	PART NUMBER	DESCRIPTION	QUANTITY
53	124123	3/8" X 2" BOLT	4
54	115468	BELT GUIDE	2
55	115527	REAR SAFETY COVER	1
56	122847	INCLINE LEG	1
57	012108	3/8" NUT	6
58	115200	FRONT WHEEL	2
59	013375	FRONT WHEEL BOLT	2
60	NLA	LEFT FRAME RAIL	1
61	115523	INCLINE MOTOR	1
62	114270	INCLINE MOTOR SPACER	1
63	013369	INCLINE MOTOR BOLT	2
64	109370	INCLINE OPTIC DISK	1
65	113005	BAR ENDCAP	1
66	124246	THERMAL SWITCH	1
67	115208	CUSHION SPRING SPACER	2
68	113003	CUSHION SPRING INSERT	2
69	012155	PUSH NUT	4
70	115076	SPRING FOOT BAR	1
71	115529	SPRING BOLT	4
72	115982	SUPPORT PLATE	2
73	115211	SPRING PLATE	2
74	119483	RIGHT REAR ENDCAP	1
75	016028	WRENCH CLIP	1
76	045010	3/16" ALLEN WRENCH	1
77	115210	CUSHION FOOT	2
78	116450	CUSHION FOOT PAD	2
79	115323	CUSHION KNOB	1
80	013303	SPRING FOOT SCREW	2
81	NSP	FRAME	1
82	119492	REAR ROLLER	1
83	124684	WALKING BELT	1
84	110396	REAR ROLLER INSERT	2
85	116111	RIGHT RAIL INSERT	1
86	115209	CUSHION KNOB SPACER	1
87	124686	WALKING PLATFORM	1
88	010206	ROLLER GUARD	4
89	123325	ROLLER GUARD SCREW	4
90	105133	FRONT WHEEL NUT	2
91	117721	CONSOLE SPACER	1
92	126130	HOLE PLUG	1
93	120866	CONSOLE SCREW	6
94	116566	MOTOR STRAP	1
95	116892	INCLINE MOTOR BRACKET	1
#	.	NON-ILLUSTRATED PARTS	0
#	116069	LEFT RAIL DECAL	1
#	116070	RIGHT RAIL DECAL	1
#	124159	17" BLACK WIRE, M/F	1
#	102634	GROUND WIRE, GREEN 8"	1
#	124157	12" WHITE WIRE, 2F	1
#	112083	8" BLUE WIRE, 2F	1
#	103823	14" WHITE WIRE, M/F	1
#	124160	8" BLUE WIRE, M/F	1
#	105989	14" RED, BLACK, WHITE WIRE	1
#	117992	SAFETY COVER PLUG	1

MODEL NUMBER: IM97103  
VERSION: 01  
PRODUCT NAME: IMAGE 971  
PRODUCT DESC:

MODEL/PART BOOK LISTING

PAGE 3  
INI023P1

RUN DATE: 4/16/97  
RUN TIME: 12:56:50

KEY NUMBER	PART NUMBER	DESCRIPTION	QUANTITY
#	124247	OWNER'S MANUAL	1
.	124285	LITERATURE PACKET	1
.	.	124247 OWNER'S MANUAL	1
.	.	119446 PULSE/CLOTHES CLIP	1
.	.	045010 ALLEN WRENCH	1
.	.	045017 ALLEN WRENCH	1
.	.	016028 WRENCH CLIP	1
.	.	124123 SCREW, 2.25"	4