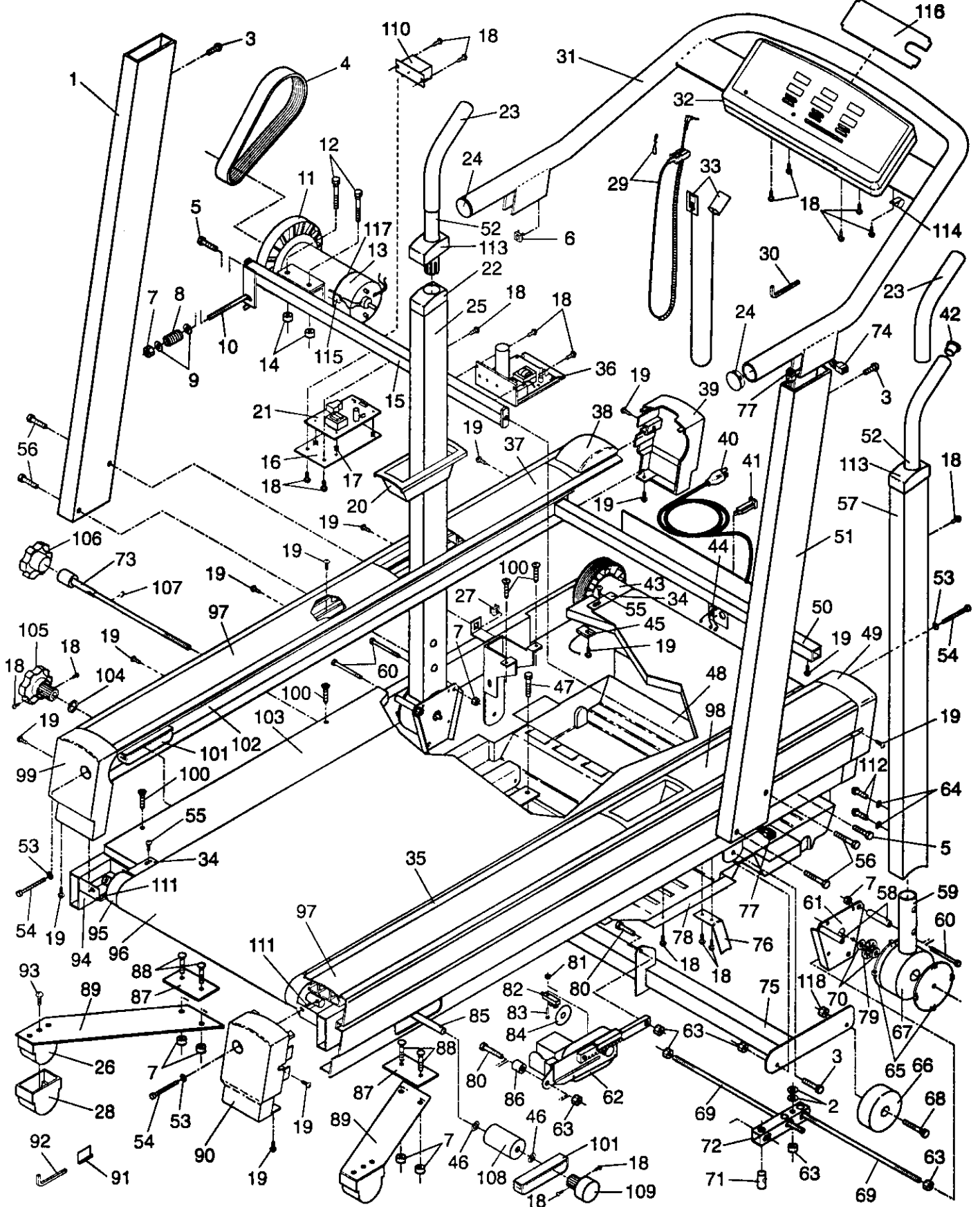


EXPLODED DRAWING—Model No. IM973030

Rev. 7/94



MODEL NUMBER: IM97303
VERSION: 00
PRODUCT NAME: IMAGE 973
PRODUCT DESC:

MODEL/PART BOOK LISTING

PAGE 1
INI023P1
RUN DATE: 4/16/97
RUN TIME: 12:56:53

KEY NUMBER	PART NUMBER	DESCRIPTION	QUANTITY
	.	IMAGE 973 TREADMILL	0
1	119471	LEFT UPRIGHT	1
	.	115297 LEFT UPRIGHT	1
	.	119472 REPLACEMENT INSTR.	1
2	014086	3/8" WASHER	10
3	013438	3/8" X 1" WASHER	4
4	106939	MOTOR BELT	1
5	013293	SWIVEL BOLT	2
6	111430	HANDRAIL CAGE NUT	2
7	012082	5/16" NUT	9
8	104514	TENSION SPRING	1
9	014041	MOTOR TENSION WASHER	2
10	115269	J-BOLT	1
11	113278	PULLEY/FLYWHEEL/FAN	1
12	123385	MOTOR MOUNT BOLT	2
13	119477	MOTOR	1
	.	114420 MOTOR	1
	.	114457 REPLACEMENT INSTR.	1
13A	119474	MOTOR/PULY/FLWH/FAN	1
	.	114420 MOTOR	1
	.	113278 PULY/FLWH/FAN	1
	.	114457 REPLACEMENT INSTR.	1
14	105477	MOTOR NUT	2
15	119475	MOTOR SWIVEL SHAFT	1
	.	114441 MOTOR SWIVEL SHAFT	1
	.	119476 REPLACEMENT INSTR.	1
16	117536	POWER BOARD PLATE	1
17	125819	PLASTIC STAND-OFF	4
18	108404	#8 X 3/4" BLACK SCREW	6
19	104626	#8 X 3/4" SCREW	22
20	115276	FRICITION MECH INSERT	2
21	115650	POWER BOARD	1
	.	113029 POWER BOARD	1
	.	125819 PLASTIC STAND-OFF	4
	.	115651 REPLACEMENT INSTR.	1
22	114499	ARM INSERT BUSHING	2
23	115072	HANDLE FOAM GRIP	2
24	116980	HANDRAIL ENDCAP	2
25	114435	LEFT UPPER BODY ARM	1
26	115210	CUSHION FOOT	2
27	111869	CAGE NUT	4
28	116450	CUSHION FOOT PAD	2
29	119946	PULSE/CLOTHES CLIP	1
30	045017	7/32" ALLEN WRENCH	1
31	119479	HANDRAIL	1
	.	115282 HANDLEBAR	1
	.	119480 REPLACEMENT INSTR.	1
32	119481	CONSOLE	1
	.	115236 CONSOLE	1
	.	119491 REPLACEMENT INSTR.	1
33	113961	SAFETY KEY/CLIP	1
34	010206	ROLLER GUARD	4
35	114451	RIGHT FRAME RAIL	1
36	119482	CONTROLLER	1

MODEL NUMBER: IM97303
 VERSION: 00
 PRODUCT NAME: IMAGE 973
 PRODUCT DESC:

MODEL/PART BOOK LISTING

RUN DATE: 4/16/97
 RUN TIME: 12:56:53

KEY NUMBER	PART NUMBER	DESCRIPTION	QUANTITY
	.	112763 CONTROLLER	1
	.	130856 REPLACEMENT INSTR.	1
37	116791	FRONT LEFT RAIL INSERT	1
38	115280	PULLEY COVER	1
39	119485	LEFT FRONT ENDCAP	1
	.	114562 LEFT FRONT ENDCAP	1
	.	115058 REPLACEMENT INSTR.	1
40	031229	POWER CORD	1
41	109382	CIRCUIT BREAKER	1
42	101682	HANDLE ENDCAP	2
43	125104	FRONT ROLLER/PULLEY	1
44	019084	GROMMET	1
45	106115	REED SWITCH/SENSOR WIRE	1
46	012155	PUSH NUT	4
47	013580	PIVOT BOLT	1
48	119582	FRONT SAFETY COVER	1
	.	114428 FRONT SAFETY COVER	1
	.	115415 WIRE DIAGRAM DECAL	1
49	119486	FRONT RIGHT ENDCAP	1
	.	114563 FRONT RIGHT ENDCAP	1
	.	115058 REPLACEMENT INSTR.	1
50	115296	CROSSBAR	1
51	119473	RIGHT UPRIGHT	1
	.	115298 RIGHT UPRIGHT	1
	.	119472 REPLACEMENT INSTR.	1
52	114502	HANDLE	2
53	014127	ROLLER ADJUSTMENT WASHER	3
54	013206	ROLLER ADJUSTMENT BOLT	3
55	013162	ROLLER GUARD SCREW	4
56	013544	3/8" X 2" BOLT	4
57	114506	RIGHT UPPER BODY ARM	1
58	117986	TENSION SPACER	4
59	117985	ARM TUBE	2
60	013553	TENSION BOLT	4
61	115250	TENSION BRACKET	4
62	123478	INCLINE MOTOR	1
63	012108	3/8" NUT	7
64	104345	3/8" STAR WASHER	0
65	112286	FRICTION PLATE	4
66	115200	FRONT WHEEL	2
67	119489	RESISTANCE HOUSING	2
	.	117533 RESISTANCE HOUSING	1
	.	119490 REPLACEMENT INSTR.	1
68	013375	FRONT WHEEL BOLT	2
69	115204	TENSION BAR	2
70	102973	THRUST WASHER	6
71	115201	BARREL NUT	3
72	115206	ROCKER ARM	1
73	114445	TENSION ADJUSTMENT BAR	1
74	115479	HANDRAIL WIRE HARNESS	1
75	122847	INCLINE LEG	1
76	115468	BELT GUIDE	2
77	115480	UPRIGHT WIRE HARNESS	1
78	115527	BACK SAFETY COVER	1

MODEL NUMBER: IM97303
VERSION: 00
PRODUCT NAME: IMAGE 973
PRODUCT DESC:

MODEL/PART BOOK LISTING

PAGE 3
INI023P1

RUN DATE: 4/16/97
RUN TIME: 12:56:53

KEY NUMBER	PART NUMBER	DESCRIPTION	QUANTITY
79	106896	THRUST BEARING	2
80	013564	INCLINE MOTOR BOLT	2
81	012152	SMALL NUT	1
82	102955	OPTIC SWITCH	1
83	102959	SMALL SCREW	1
84	109370	OPTIC DISK	1
85	115076	SPRING FOOT BAR	1
86	114270	INCLINE MOTOR SPACER	1
87	115982	SUPPORT PLATE	2
88	115529	SPRING BOLT	4
89	115211	SPRING PLATE	2
90	119483	RIGHT REAR ENDCAP	1
.	.	114561 RIGHT REAR ENDCAP	1
.	.	115058 REPLACEMENT INSTR.	1
91	016028	WRENCH CLIP	1
92	045010	3/16" ALLEN WRENCH	1
93	013303	SPRING FOOT SCREW	2
94	NSP	FRAME	1
95	119492	REAR ROLLER	1
.	.	114429 REAR ROLLER	1
.	.	119493 REPLACEMENT INSTR.	1
96	130473	WALKING BELT	1
97	116789	LONG RAIL INSERT	2
98	116790	FRONT RIGHT RAIL INSERT	1
99	119484	LEFT REAR ENDCAP	1
.	.	114560 LEFT REAR ENDCAP	1
.	.	115058 REPLACEMENT INSTR.	1
100	116259	PLATFORM SCREW	9
101	113003	CUSHION SPRING INSERT	2
102	NLA	LEFT FRAME RAIL	1
103	124686	WALKING PLATFORM	1
.	.	124685 WALKING PLATFORM	1
.	.	119497 REPLACEMENT INSTR.	1
.	.	NOTE: THIS ASSEMBLY HAS	0
.	.	BEEN CHANGED FROM THE	0
.	.	ORIGINAL WAXED BOARD	0
104	115209	CUSHION KNOB SPACER	1
105	115323	CUSHION KNOB	1
106	115321	RESISTANCE CONTROL KNOB	1
107	054016	E-CLIP	1
108	115208	CUSHION SPRING SPACER	2
109	113005	BAR ENDCAP	1
110	111998	RELAY SWITCH	1
111	110396	REAR ROLLER INSERT	2
112	117665	3/8" X 1" NYLOCK BOLT	4
113	117532	ARM INSERT COVER	2
114	019084	GROMMET	1
115	115220	ARM BUSHING PIN	2
116	117721	CONSOLE SPACER	1
117	119494	THERMAL SWITCH	1
.	.	117067 THERMAL SWITCH ASY	1
.	.	119495 REPLACEMENT INSTR.	1
118	105133	WHEEL NUT	2
119	116566	THERMAL SWITCH CLAMP	2

MODEL NUMBER: IM97303
 VERSION: 00
 PRODUCT NAME: IMAGE 973
 PRODUCT DESC:

MODEL/PART BOOK LISTING

PAGE 4
 INI023P1
 RUN DATE: 4/16/97
 RUN TIME: 12:56:53

KEY NUMBER	PART NUMBER	DESCRIPTION	QUANTITY
120	118174	ROLLER SPACER	3
.	.	NON-ILLUSTRATED PARTS	0
#	115418	LEFT FRAME DECAL	1
#	115661	RIGHT FRAME DECAL	1
#	115415	WIRE DIAGRAM DECAL	1
#	102634	MOTOR GROUND WIRE, GREEN	1
#	101898	LIFT MOTOR JUMPER WIRE, 2 FEMALE ENDS	1
#	116583	RELAY/PWR BRD/CNTRL WIRE WHITE, 2 FEMALE ENDS	1
#	116584	RELAY/POWER BOARD WIRE BLUE, 2 FEMALE ENDS	1
#	107771	POWER BRD/POWER CORD WIRE WHITE, 1 FEMALE/1 MALE END	1
#	105989	CONTROLLER/POWER BRD WIRE RED WIRE/WHITE WIRE/BLACK WIRE, 3 FEMALE ENDS	1
#	103646	OPTIC SWITCH WIRE RED WIRE/BLACK WIRE/ BLUE WIRE, 14" L	1
#	115407	POWER BOARD/UPRIGHT WIRE HARNESS, 20" L	1
#	117464	SILICONE	1
#	115872	STRAIN RELIEF	1
#	115416	USER'S MANUAL	1
#	115417	LITERATURE PACKET	1
.	.	115416 USER'S MANUAL	1
.	.	119946 PULSE/CLOTHES CLIP	1
.	.	113961 CLIP/KEY/ROPE	1
.	.	104345 STAR WASHER	4
.	.	115419 HARDWARE KIT	1
.	.	045010 ALLEN WRENCH	1
.	.	045017 ALLEN WRENCH	1
.	.	016028 WRENCH CLIP	1
.	.	013544 3/8" X 2" BOLT	4
.	.	013438 3/8" X 1" BOLT	2
.	.	117665 3/8" X 1" BOLT	4