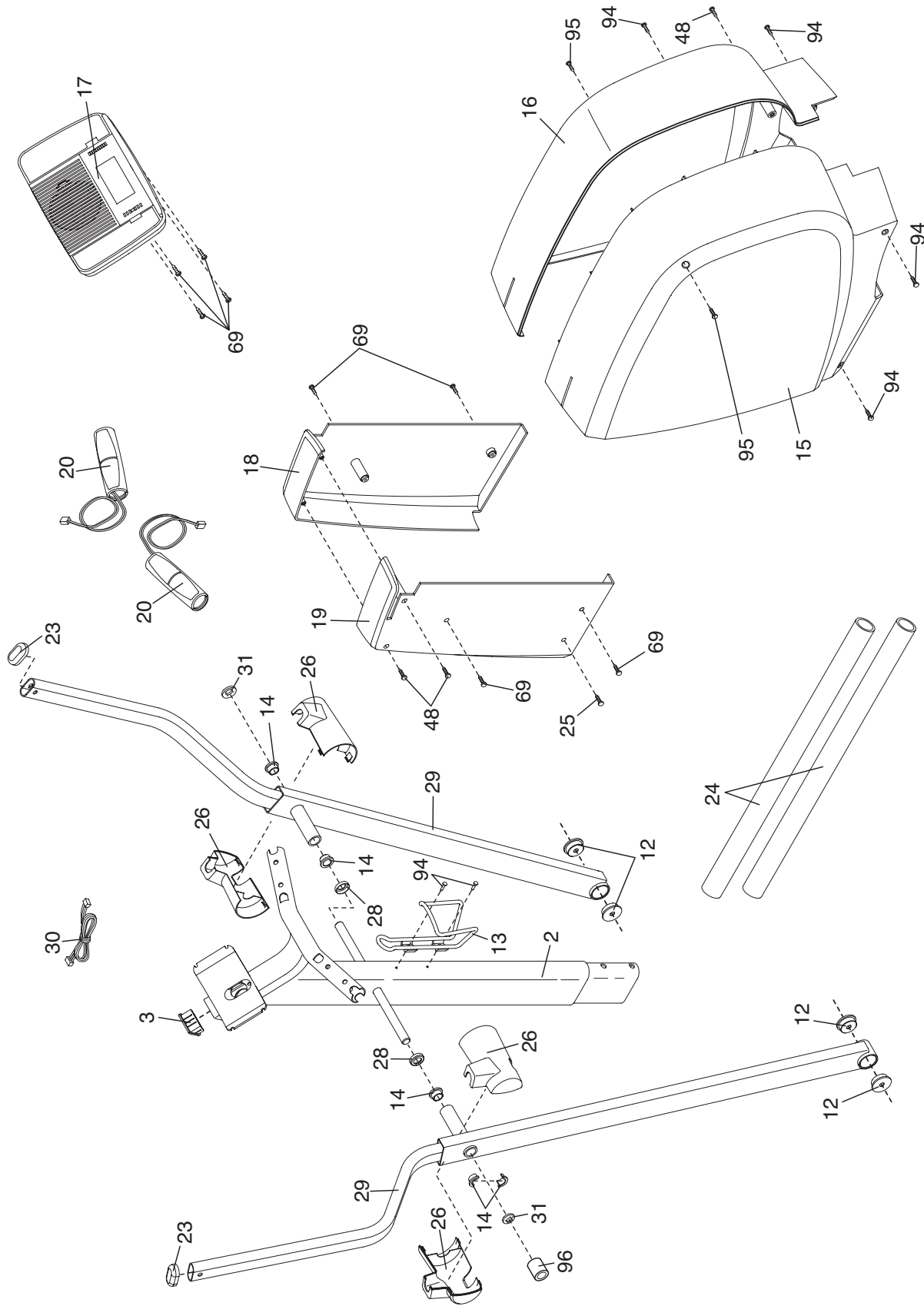


EXPLODED DRAWING A—Model No. IMEL5906.0

R0806A



EXPLODED DRAWING B—Model No. IMEL5906.0

R0806A

