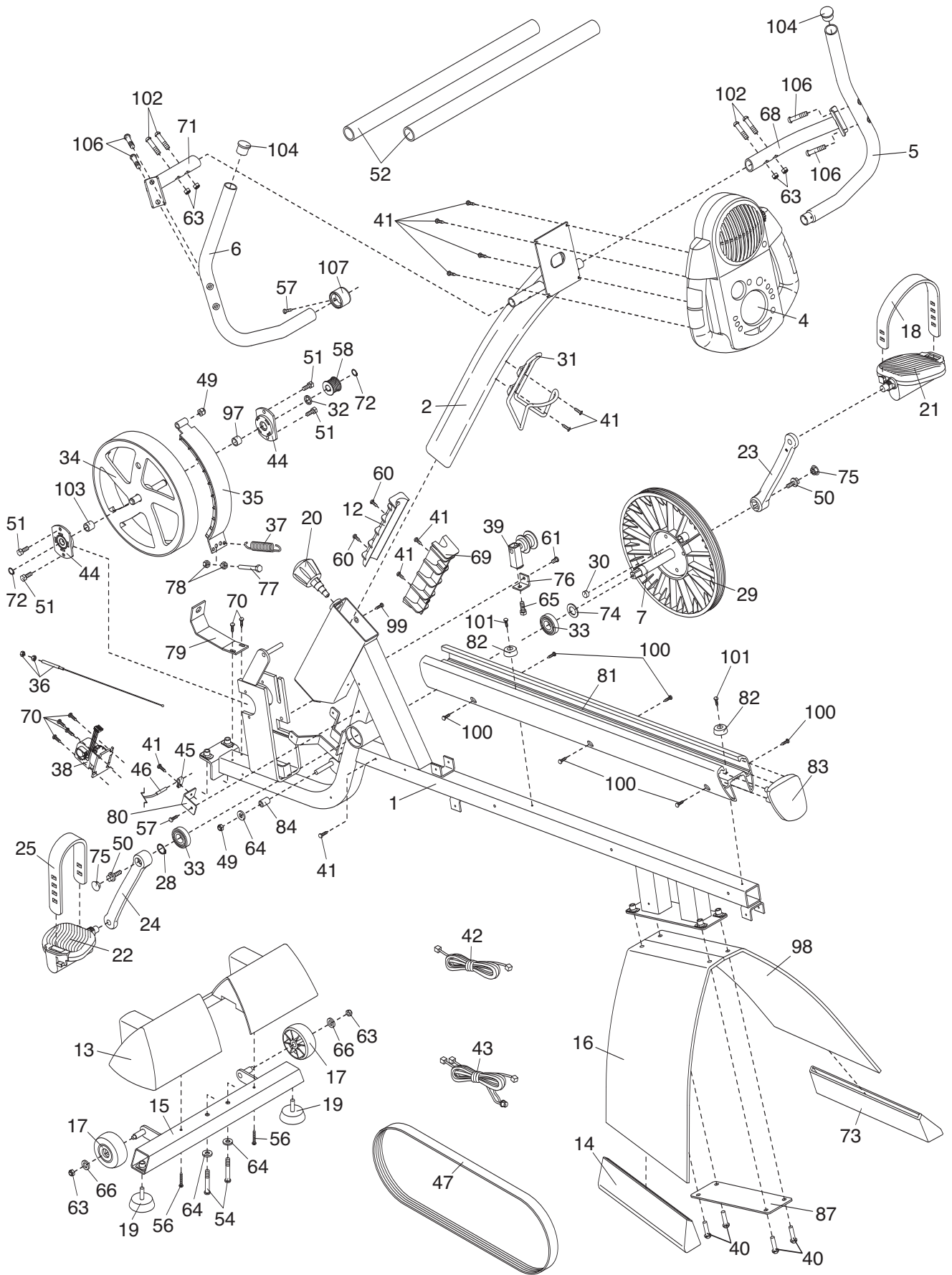


EXPLODED DRAWING A—Model No. IMEVEX6215.0

R1005A



EXPLODED DRAWING B—Model No. IMEVEX6215.0

R1005A

