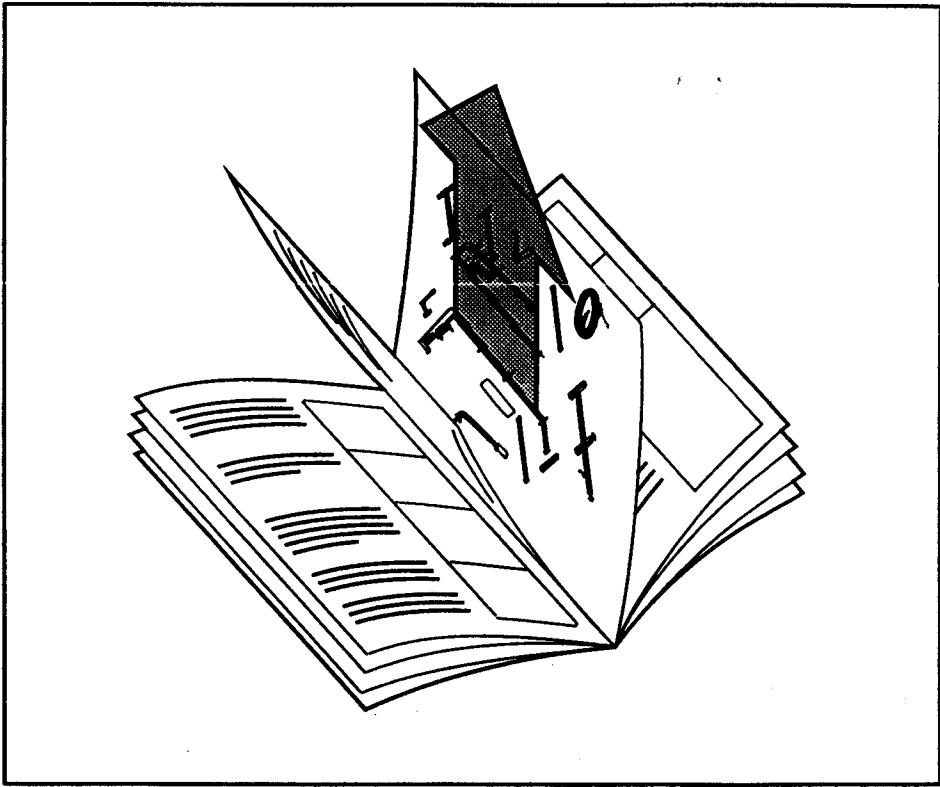
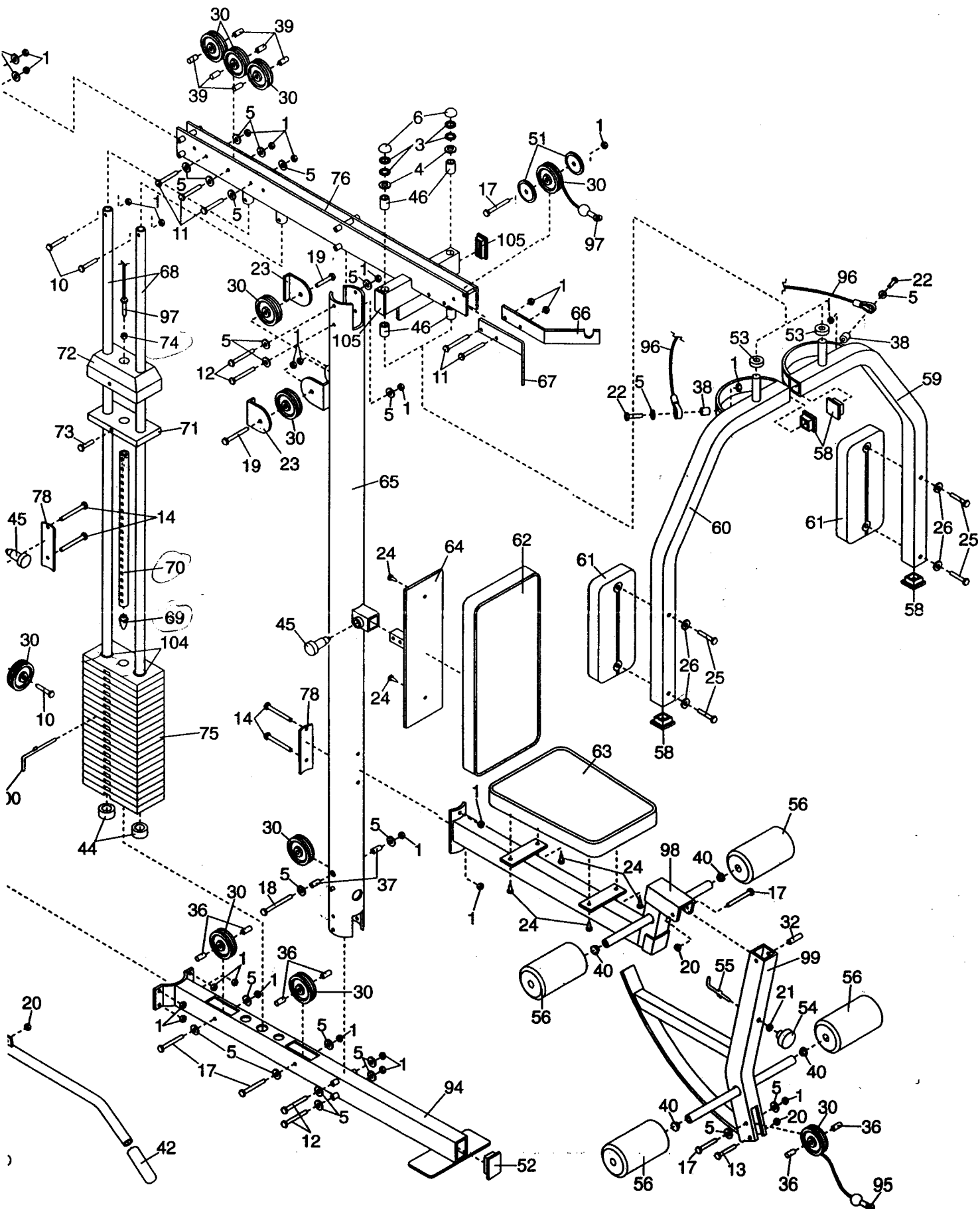


**REMOVE THIS PART LIST/EXPLODED
DRAWING FROM THE MANUAL**





PART LIST—Model No. IMSY50050

R0396A

Key No.	Qty.	Description	Key No.	Qty.	Description
1	45	3/8" Nylon Locknut	55	1	Locking Pin
2	4	1/2" Retainer	56	4	Foam Pad
3	4	3/4" Retainer	57	1	3/8" x 3/4" Bolt
4	2	1 1/2" x 3/4" Washer	58	4	1 3/4" Square Inner Cap
5	33	3/8" Washer	59	1	Left Butterfly Arm
6	2	3/4" Dome Cap	60	1	Right Butterfly Arm
7	4	1/2" Dome Cap	61	2	Butterfly Arm Pad
8	6	1/2" x 1/4" Bushing	62	2	Backrest
9	1	#8 x 3/4" Screw	63	2	Seat
10	7	3/8" x 1 3/4" Bolt	64	1	Backrest Plate
11	9	3/8" x 3" Bolt	65	1	Front Upright
12	7	3/8" x 4 3/4" Bolt	66	1	Left Support Plate
13	7	3/8" x 2 1/2" Bolt	67	1	Right Support Plate
14	4	3/8" x 5" Bolt	68	2	Weight Guide
15	2	3/8" x 3 1/2" Bolt	69	1	Weight Tube Bumper
16	1	3/8" x 3 3/4" Bolt	70	1	Weight Tube
17	5	3/8" x 2 3/4" Bolt	71	1	Top Weight
18	1	3/8" x 4 1/2" Bolt	72	1	Top Weight Cover
19	6	3/8" x 2" Bolt	73	1	3/8" x 1 1/2" Allen Bolt
20	7	3/8" Nylon Jam Nut	74	1	1/2" Nut
21	1	3/8" Nut	75	19	Weight
22	2	3/8" x 1 1/4" Bolt	76	1	Top Frame
23	3	Pulley Cover	77	1	Rear Upright
24	12	1/4" x 3/4" Screw	78	2	Support Bracket
25	4	1/4" x 2 1/4" Screw	79	1	Press Seat Bracket
26	4	1/4" Washer	80	2	"I"-Plate
27	1	3/8" x 3 1/4" Bolt	81	2	"L"-Bracket
28	3	2" Square Inner Cap	82	1	Press Frame Handle
29	2	Inner Bushing	83	1	Left Arm
30	22	3 1/2" Pulley	84	1	Right Arm
31	1	1" x 3/4" Bumper	85	2	Handle
32	1	5/8" x 2" Bushing	86	1	Moment Arm
33	4	1/2" x 2 1/4" Bushing	87	1	Press Frame
34	2	5/8" x 1 3/4" Bushing	88	1	Leg Press Arm
35	1	1/2" x 1.7" Bushing	89	1	Press Plate
36	7	5/8" x 1/2" Bushing	90	2	Square Bumper
37	2	5/8" x 1 3/8" Bushing	91	1	"U"-Bracket
38	2	1/2" x 3/8" Bushing	92	1	Lat Bar
39	6	5/8" x 9/16" Bushing	93	1	Row Bar
40	4	3/4" Round Inner Cap	94	1	Base
41	2	1" Round Inner Cap	95	1	Low Cable
42	6	Hand Grip 1" x 6"	96	1	Butterfly Cable
43	2	Hand Grip 1" x 10"	97	1	High Cable
44	2	Weight Bumper	98	1	Seat Frame
45	2	Lock Knob	99	1	Leg Lever
46	4	3/4" x 1 3/4" Spacer	100	1	Weight Pin
47	2	1/2" Hat Cap	101	1	Chain
48	1	1/2" x 8 7/8" Axle	102	2	Cable Clip
49	1	1/2" x 7 3/8" Axle	103	1	Nylon Strap
50	1	1/2" x 4 5/8" Axle	104	38	Weight Insert
51	2	Wheel Spacer	105	2	2" x 3" Inner Cap (12 Gauge)
52	2	2" x 3" Inner Cap	#	1	Retainer Tool
53	2	Weld Cover	#	1	User's Manual
54	1	3/8" Knob	#	1	Exercise Guide

Note: "#" indicates a non-illustrated part. Specifications are subject to change without notice.