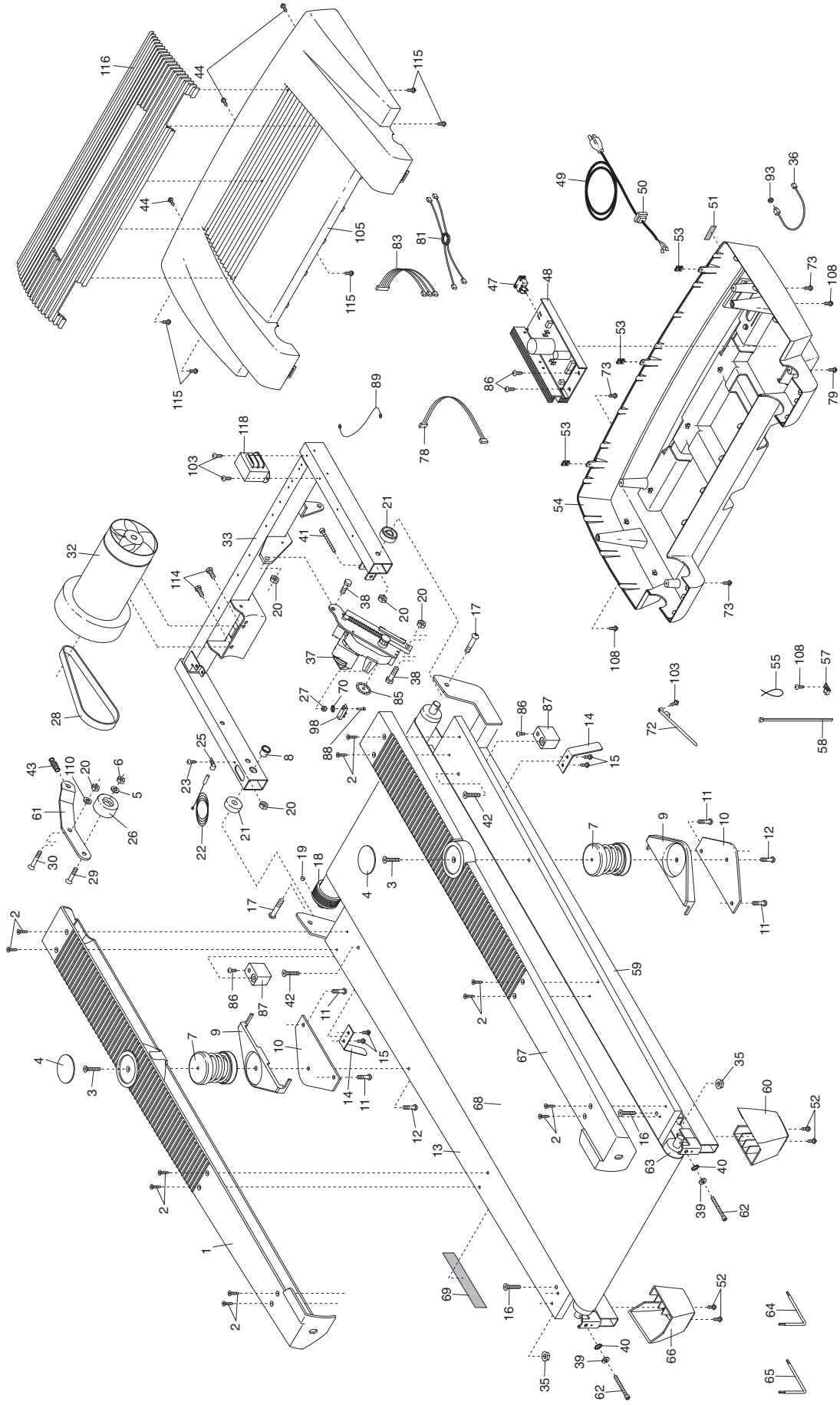


EXPLODED DRAWING—Model No. IMTL07905.1

R0706A



EXPLODED DRAWING—Model No. IMTL07905.1

R0706A

