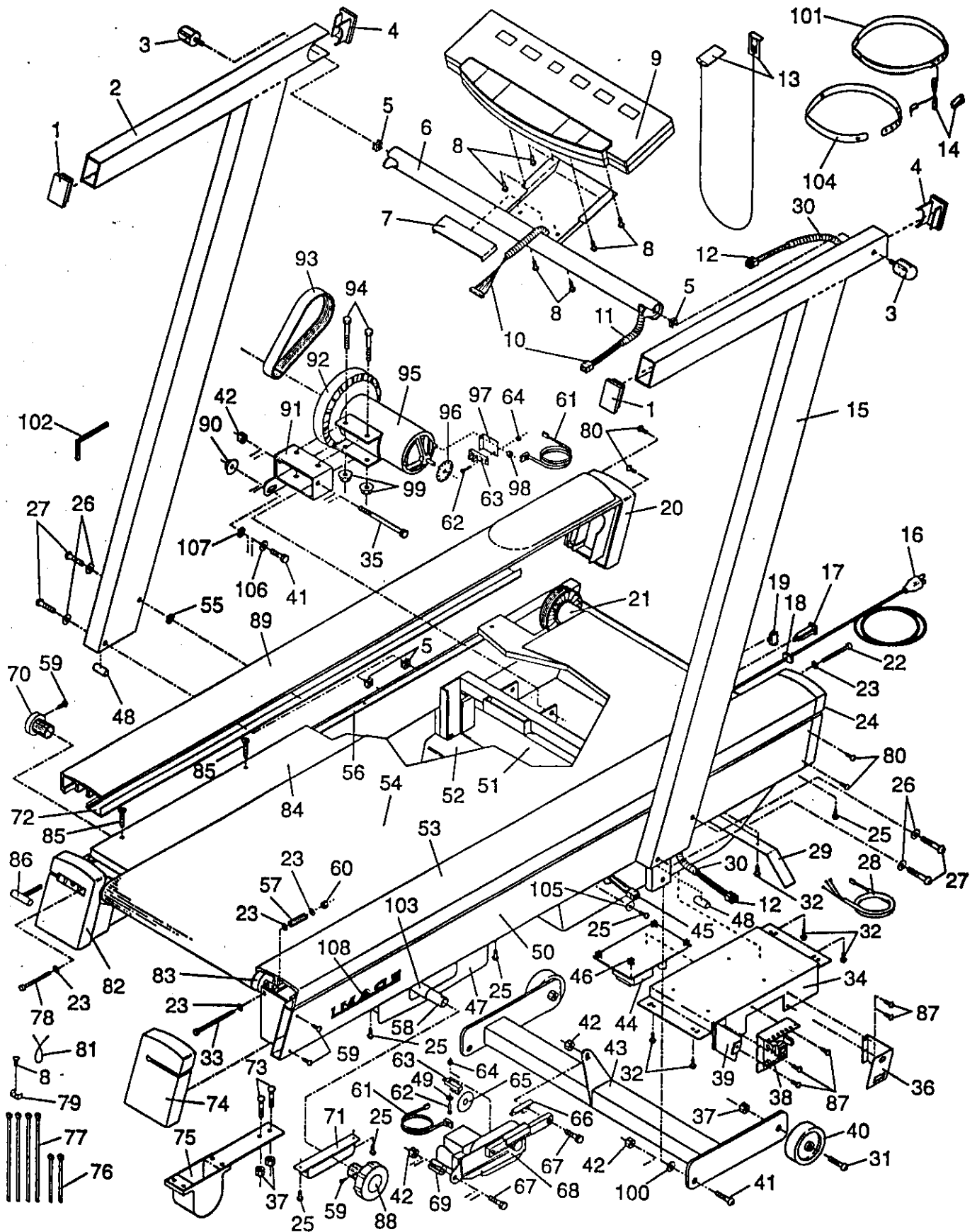


# EXPLODED DRAWING—Model No. IMTL10250

Rev. 5/95



MODEL NUMBER: IMTL1025  
VERSION: 00  
PRODUCT NAME: IMAGE 10.2  
PRODUCT DESC:

MODEL/PART BOOK LISTING

PAGE 1  
INI023P1

RUN DATE: 5/08/97  
RUN TIME: 19:44:24

KEY NUMBER	PART NUMBER	DESCRIPTION	QUANTITY
	.	IMAGE 10.2	0
1	124172	ENDCAP	2
2	124171	LEFT UPRIGHT	1
3	120244	CONSOLE KNOB	2
4	124174	UPRIGHT ENDCAP	2
5	111869	CAGE NUT	6
6	124175	CONSOLE CROSSBAR	1
7	124173	WIRE COVER	1
8	013141	CONSOLE SCREW	4
9	124665	CONSOLE W/RI *	1
10	120552	CONSOLE WIRE HARNESS	1
11	117988	24" CABLE LOOM	1
12	123086	UPRIGHT WIRE HARNESS	1
13	119038	SAFETY KEY/CLIP	1
14	128081	PULSE SENSOR/CLOTHES CLIP	1
15	124170	RIGHT UPRIGHT	1
16	031229	POWER CORD	1
17	109382	CIRCUIT BREAKER	1
18	019084	GROMMET	1
19	119163	ON/OFF SWITCH	1
20	123474	FRONT LEFT ENDCAP	1
21	124727	FRONT ROLLER/PULLEY W/RI	1
22	112609	FRONT ROLLER ADJ BOLT	1
23	014127	ROLLER ADJ WASHER	5
24	123473	FRONT RIGHT ENDCAP	1
25	013162	SAFETY COVER SCREW	26
26	014132	UPRIGHT WASHER	4
27	123494	3/8" X 3 1/2" BOLT	4
28	120311	PWR BOARD-CONTROLLER WIRE	1
29	115468	BELT GUIDE	2
30	113203	6" CABLE LOOM	1
31	117806	WHEEL BOLT	2
32	108080	SCREW	4
33	120243	RT REAR ROLLER ADJ BOLT	1
34	123308	ELECTRONICS BRACKET	1
35	107503	MOTOR SWIVEL BOLT	1
36	119026	BRACKET	1
37	012056	WHEEL/CUSHION FOOT NUT	6
38	120767	CONTROLLER W/RI	1
39	119416	SAFETY COVER BRACKET	1
40	052014	FRONT WHEEL	2
41	013438	LEG/MOTOR TENSION BOLT	3
42	012149	LEG/NOTOR TENSION NUT	5
43	119020	INCLINE LEG	1
44	120729	POWER BOARD W/RI	1
45	119769	20" WIRE HARNESS	1
46	125819	POWER BOARD STAND-OFF	4
47	120918	CUSHION FOOT COVER	2
48	122332	UPRIGHT SPACER	2
49	014157	SWITCH STAR WASHER	1
50	NSP	FRAME	1
51	120195	FRONT SAFETY COVER	1
52	124728	REAR SAFETY COVER W/DECAL	1
53	123482	RIGHT FOOT RAIL	1

MODEL NUMBER: IMTL1025  
VERSION: 00  
PRODUCT NAME: IMAGE 10.2  
PRODUCT DESC:

MODEL/PART BOOK LISTING

PAGE 2  
INI023P1  
RUN DATE: 5/08/97  
RUN TIME: 19:44:24

KEY NUMBER	PART NUMBER	DESCRIPTION	QUANTITY
54	124684	WALKING BELT W/FASTENERS	1
55	014117	STAR WASHER	2
56	121087	DECK SHIM	2
57	128986	BELT TENSION SPRING	1
58	120492	CUSHION FOOT ROD	1
59	013028	ENDCAP SCREW	6
60	012096	SPRING NUT	1
61	102633	OPTIC SWITCH WIRE HARNESS	2
62	102959	SMALL BOLT	2
63	102955	OPTIC SWITCH	2
64	012152	SMALL NUT	2
65	109370	INCLINE OPTIC	1
66	116892	INCLINE MOTOR BRACKET	1
67	119375	INCLINE MOTOR BOLT	2
68	123478	INCLINE MOTOR	1
69	114270	INCLINE MOTOR SPACER	1
70	128068	BAR ENDCAP	1
71	120483	CUSHION FOOT INSERT	2
72	122860	FOOT RAIL BRACKET	2
73	110926	CUSHION FOOT BOLT	4
74	123471	RIGHT REAR ENDCAP	1
75	115046	CUSHION FOOT	2
76	016029	4" CABLE TIE	2
77	016057	8" CABLE TIE	4
78	013206	LT REAR ROLLER ADJ BOLT	1
79	116927	TIE BLOCK	1
80	120630	FRONT ENDCAP SCREW	4
81	116926	CABLE TIE	1
82	123472	LEFT ENDCAP	1
83	120775	REAR ROLLER W/RI	1
84	124729	WALKING PLATFORM ASSEMBLY	1
85	119779	PLATFORM SCREW	8
86	120844	BELT TOOL, 3/16" WRENCH	1
87	120866	ELECTRONICS SCREW	5
88	120482	CUSHION KNOB	1
89	124018	LEFT FOOT RAIL ASSEMBLY	1
90	120867	MOTOR TENSION NUT	1
91	122644	MOTOR MTG BRACKET W/RI	1
92	113278	PULLEY/FLYWHEEL/FAN	1
93	106939	MOTOR BELT	1
94	123385	MOTOR BOLT	2
95	120740	MOTOR W/RI	1
95A	120741	MTR/PULY/FLWH/FAN ASSY	1
96	119070	SPEED DISK	1
97	138691	OPTIC SWITCH BRACKET	1
98	122125	OPTIC SWITCH BRACKET NUT	1
99	105477	MOTOR NUT	2
100	124009	FLAT WASHER	2
101	126481	RED HEADBAND	1
102	045017	7/32" ALLEN WRENCH	1
103	122331	ROD SLEEVE	2
104	126558	BLUE HEADBAND	1
105	104188	COVER WASHER	2
106	122812	MOTOR TENSION WASHER	1

MODEL NUMBER: IMTL1025  
VERSION: 00  
PRODUCT NAME: IMAGE 10.2  
PRODUCT DESC:

MODEL/PART BOOK LISTING

PAGE 3  
INI023P1

RUN DATE: 5/08/97  
RUN TIME: 19:44:24

KEY NUMBER	PART NUMBER	DESCRIPTION	QUANTITY
107	014117	MOTOR STAR WASHER	1
108	123530	LOGO PLATE	1
.	.	NON-ILLUSTRATED PARTS	0
#	101898	14" BLACK WIRE, 2 FEMALE	1
#	101799	9" BLACK WIRE, MALE/FEMALE	1
#	109407	4" BLACK WIRE, 2 FEMALE	1
#	114011	4" BLACK WIRE, MALE/FEMALE	1
#	103823	14" WHITE WIRE, MALE/FEMAL	1
#	102246	8" WHITE WIRE, 2 FEMALE	1
#	112083	8" BLUE WIRE, 2 FEMALE	1
#	118204	8" BLUE WIRE, MALE/FEMALE	1
#	102634	8" GREEN GROUND WIRE	1
#	118201	8" RED WIRE, MALE/FEMALE	1
#	123470	ROLLER TENSION SLEEVE	1
#	115872	STRAIN RELIEF	1
#	124178	WIRE DIAGRAM	1
#	124180	OWNER'S MANUAL	1
#	124179	LITERATURE PACKET	1
.	124180	OWNER'S MANUAL	1
.	126482	PULSE CLIP	1
.	126558	BLUE HEADBAND	1
.	126481	RED HEADBAND	1
.	120244	CONSOLE KNOB	1
.	120844	3/16" ALLEN WRENCH	1
.	045017	7/32" ALLEN WRENCH	1
.	124174	ENDCAP	2
.	122332	SPACER	2
.	123494	3.5" SCREW	4
.	014132	3/8" FLAT WASHER	4
.	014117	3/8" STAR WASHER	2
.	119038	SAFETY CLIP/KEY	1