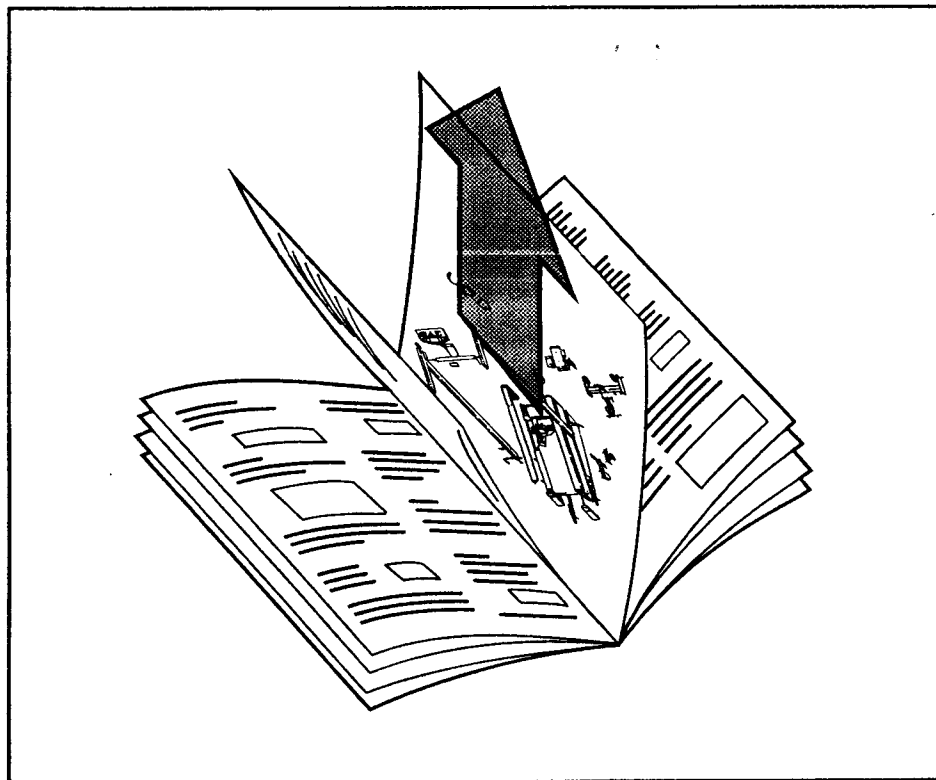
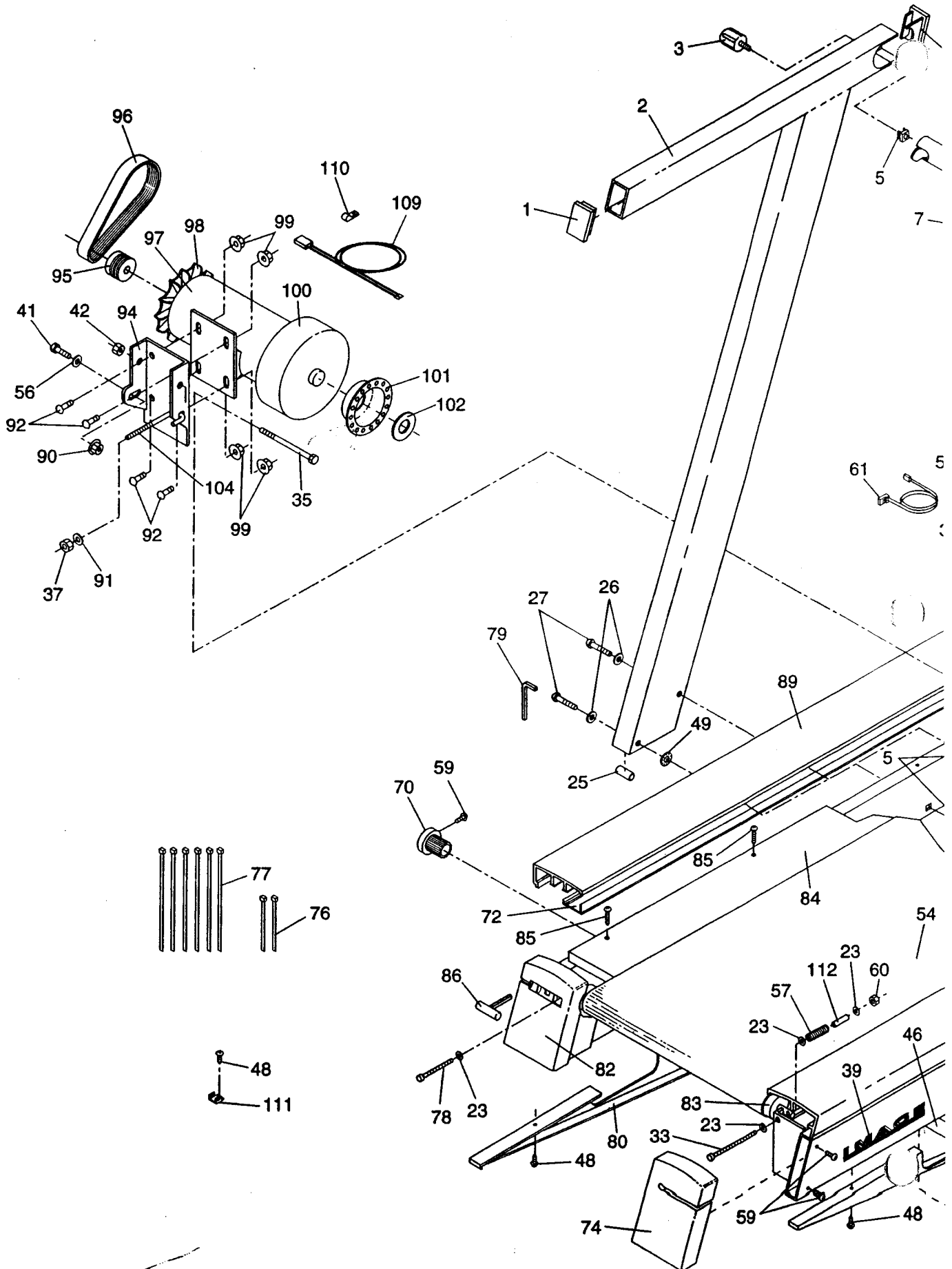


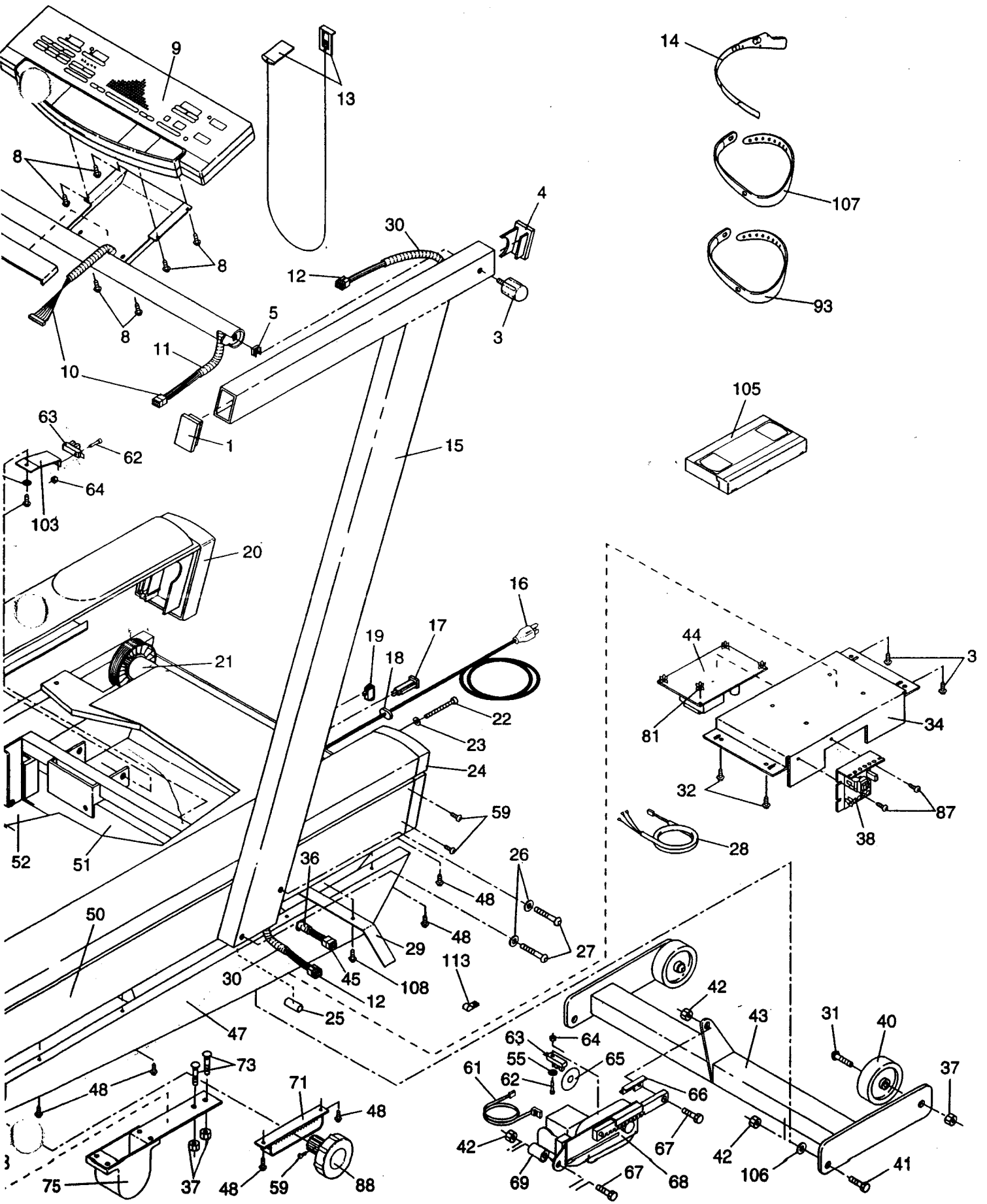
**REMOVE THIS PART LIST/EXPLODED
DRAWING FROM THE MANUAL!**



EXPLODED DRAWING—Model No. IMTL10650

R595A





PART LIST—Model No. IMTL10650

R595A

Key No.	Qty.	Description	Key No.	Qty.	Description
1	2	Endcap	64	2	Small Nut
2	1	Left Upright	65	1	Incline Optic Switch
3	2	Console Knob	66	1	Incline Motor Bracket
4	2	Upright Endcap	67	2	Incline Motor Bolt
5	6	Cage Nut	68	1	Incline Motor
6	1	Console Crossbar	69	1	Incline Motor Spacer
7	1	Wire Cover	70	1	Bar Endcap
8	12	Console Screw	71	2	Cushion Foot Insert
9	1	Console	72	2	Foot Rail Bracket
10	1	Console Wire Harness	73	4	Cushion Foot Bolt
11	1	24" Cable Loom	74	1	Right Rear Endcap
12	1	Upright Wire Harness	75	2	Cushion Foot
13	1	Safety Key/Clip	76	2	4" Cable Tie
14	1	Pulse Sensor	77	6	8" Cable Tie
15	1	Right Upright	78	1	Left Rear Belt Tension Bolt
16	1	Power Cord	79	1	7/32" Allen Wrench
17	1	Circuit Breaker	80	1	Left Skirt
18	1	Grommet	81	4	Plastic Stand-Off
19	1	On/Off Switch	82	1	Left Rear Endcap
20	1	Left Front Endcap	83	1	Rear Roller
21	1	Front Roller/Pulley	84	1	Walking Platform
22	1	Front Roller Adj. Bolt	85	8	Platform Screw
23	5	Roller Adj. Washer	86	1	Belt Tool
24	1	Right Front Endcap	87	2	Controller Screw
25	2	Upright Spacer	88	1	Cushion Knob
26	4	Upright Washer	89	1	Left Foot Rail
27	4	3/8" x 3 1/2" Bolt	90	1	Motor Tension Nut
28	1	Power Board-Controller Wire	91	1	Motor Tension Washer
29	1	Belt Guide	92	4	Motor Bolt
30	2	6" Cable Loom	93	1	Blue Headband
31	2	Wheel Bolt	94	1	Motor Bracket
32	5	Screw	95	1	Motor Pulley
33	1	Right Rear Belt Tension Bolt	96	1	Motor Belt
34	1	Electronics Bracket	97	1	Motor
35	1	Motor Swivel Bolt	98	1	Motor Fan
36	1	12" Cable Loom	99	4	Motor Nut
37	7	Wheel Nut/Cushion Foot Nut	100	1	Flywheel
38	1	Controller	101	1	Speed Optic Disk
39	1	Logo	102	1	Foam Pad
40	2	Front Wheel	103	1	Optic Switch Bracket
41	3	Leg Bolt/Motor Tension Bolt	104	1	J-Bolt
42	5	Leg/Motor Tension Nut	105	1	Video Tape
43	1	Incline Leg	106	2	Nylon Washer
44	1	Power Board	107	1	Red Headband
45	1	20" Wire Harness	108	3	Belt Guide Screw
46	2	Rod Sleeve	109	1	Thermal Switch
47	1	Right Skirt	110	1	Strain Relief
48	27	Skirt Screw/Cover Screw	111	1	Tie Holder Clamp
49	2	Star Washer	112	1	Harness Strain Relief
50	1	Frame	113	1	Spacer Sleeve
51	1	Front Safety Cover	#	1	20" Black Wire, 2 Female
52	1	Rear Safety Cover	#	1	9" Black Wire, Male/Female
53	1	Right Foot Rail	#	1	4" Black Wire, 2 Female
54	1	Walking Belt	#	1	14" White Wire, Male/Female
55	2	Optic Switch Washer	#	1	8" White Wire, 2 Female
56	1	Motor Tension Washer	#	1	8" Blue Wire, 2 Female
57	1	Belt Tension Spring	#	1	8" Blue Wire, Male/Female
58	1	Cushion Foot Rod	#	1	8" Green Ground Wire
59	10	Endcap Screw/Knob Screw	#	1	8" Red Wire, Male/Female
60	1	Spring Nut	#	1	Battery
61	2	Optic Switch Wire Harness	#	1	Owner's Manual
62	2	Small Bolt			
63	2	Optic Switch			

Note: "#" indicates a non-illustrated part.