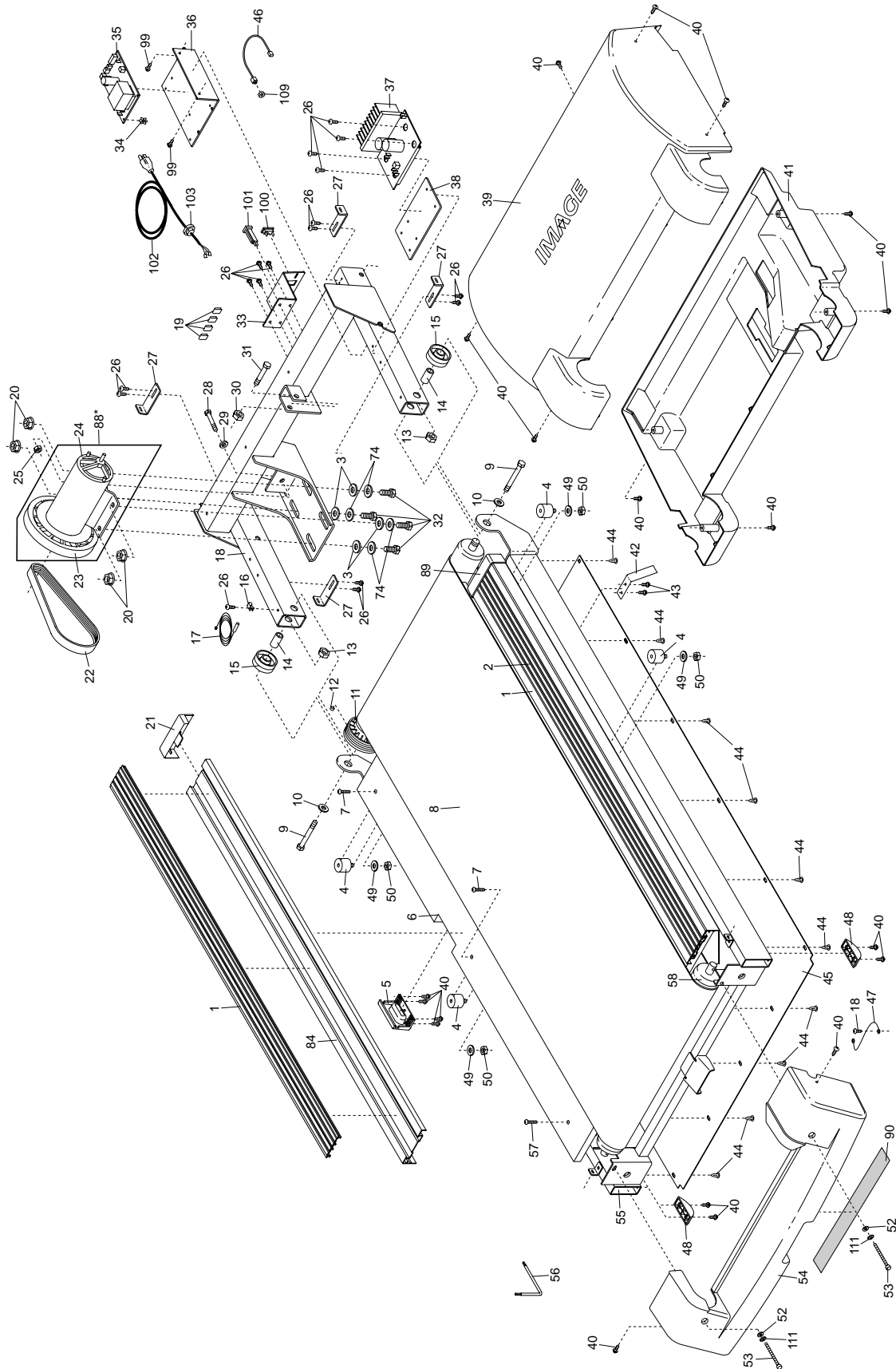


EXPLODED DRAWING—Model No. IMTL11994

R0102A



EXPLODED DRAWING—Model No. IMTL11994

R0102A

