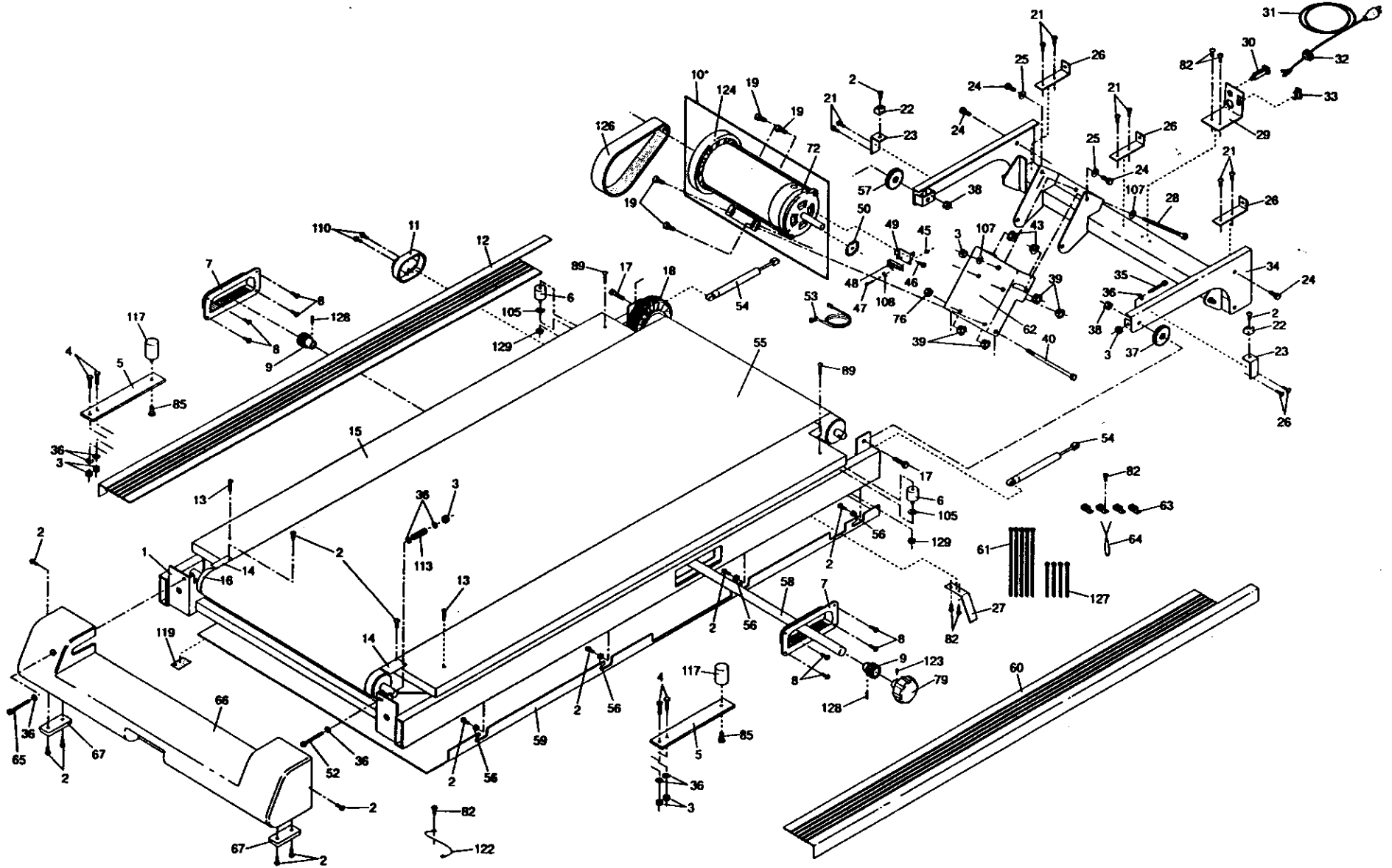


1 OF 2

EXPLODED DRAWING—Model No. IMTL14270

R1197A



2 OF 2

MODEL NO. IMTL14270

