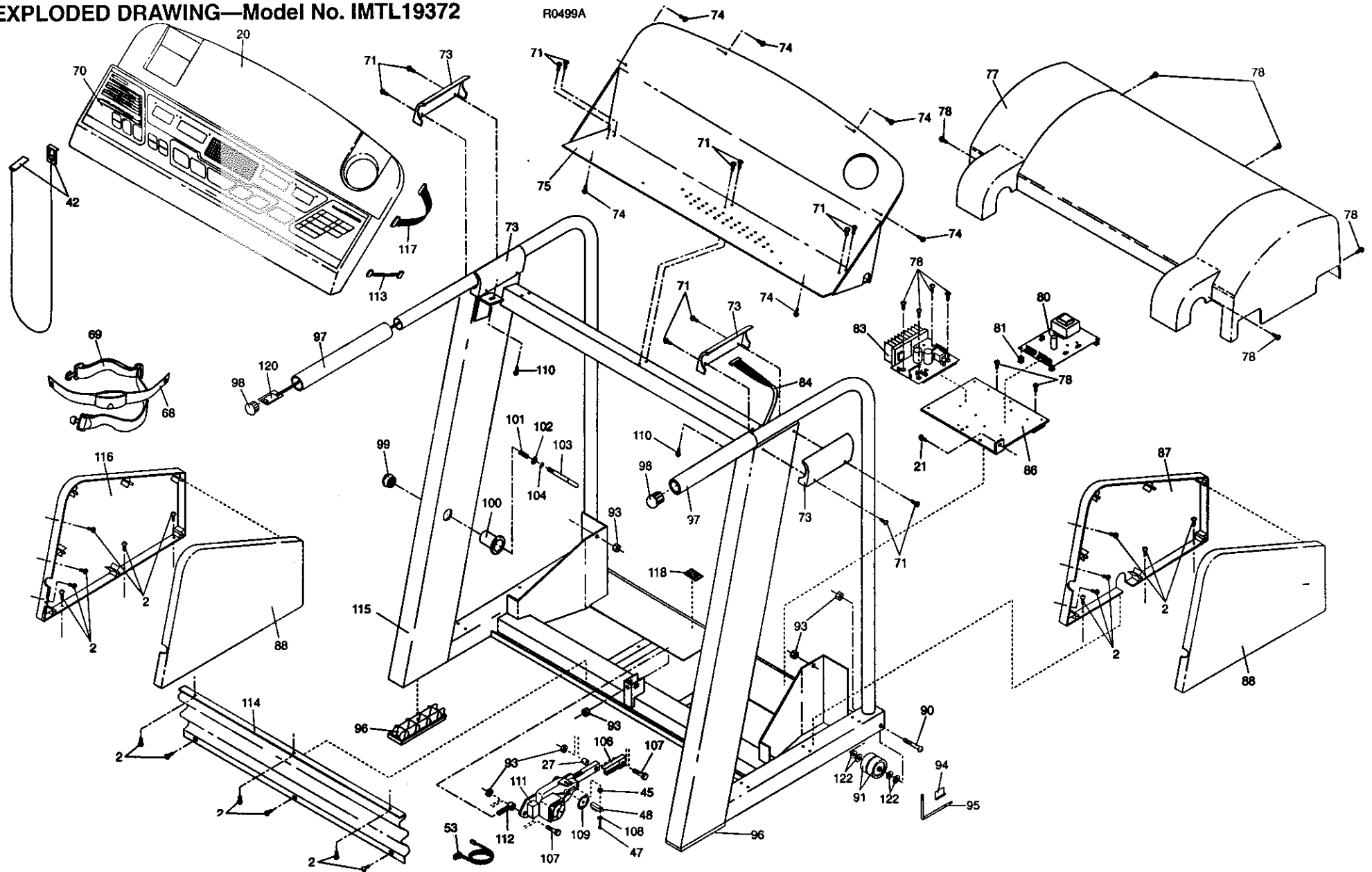


EXPLODED DRAWING—Model No. IMTL19372



EXPLODED DRAWING—Model No. IMTL19372

R0499A

