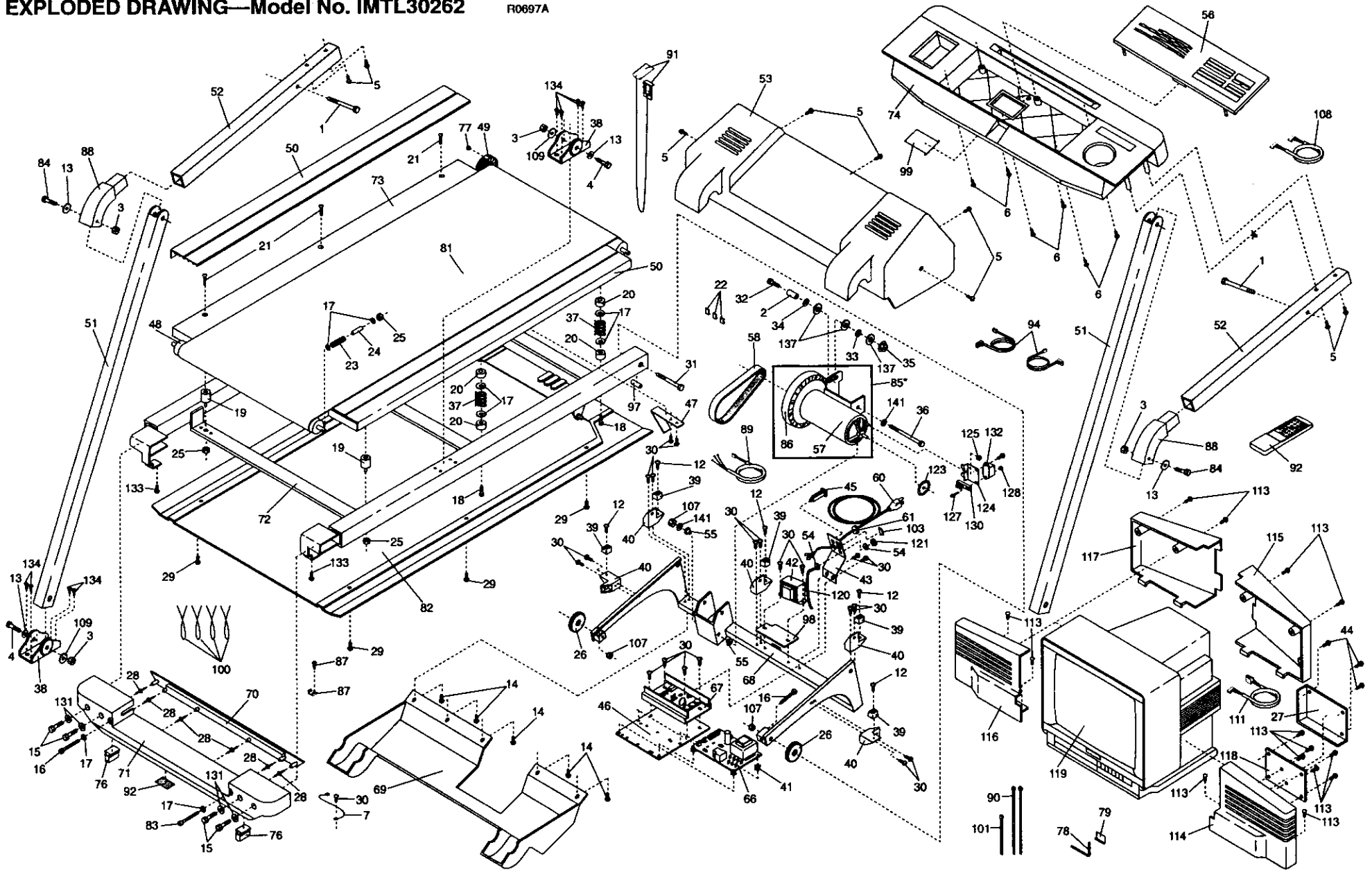


EXPLODED DRAWING—Model No. IMTL30262

R0697A



EXPLODED DRAWING—Model No. IMTL30262

