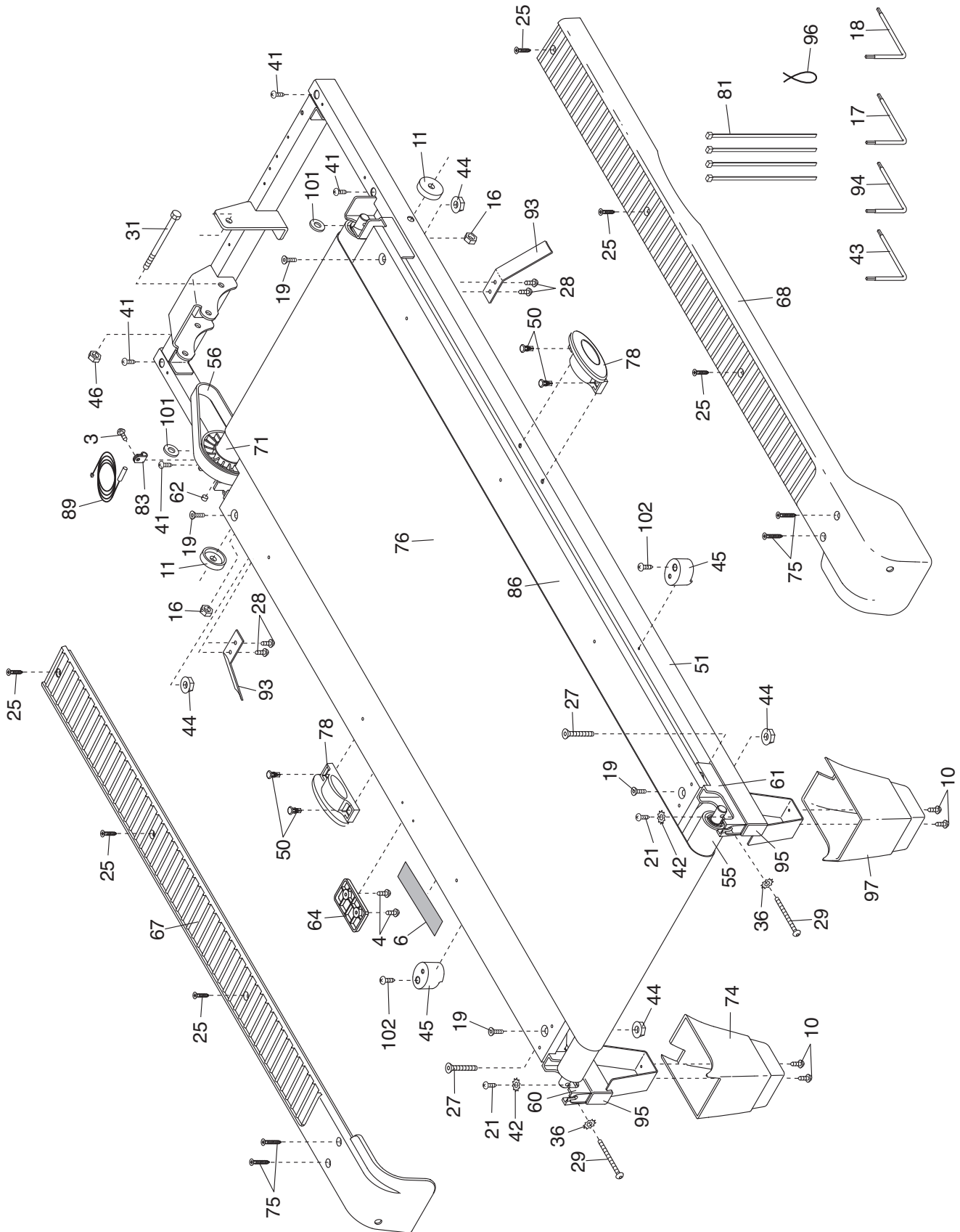


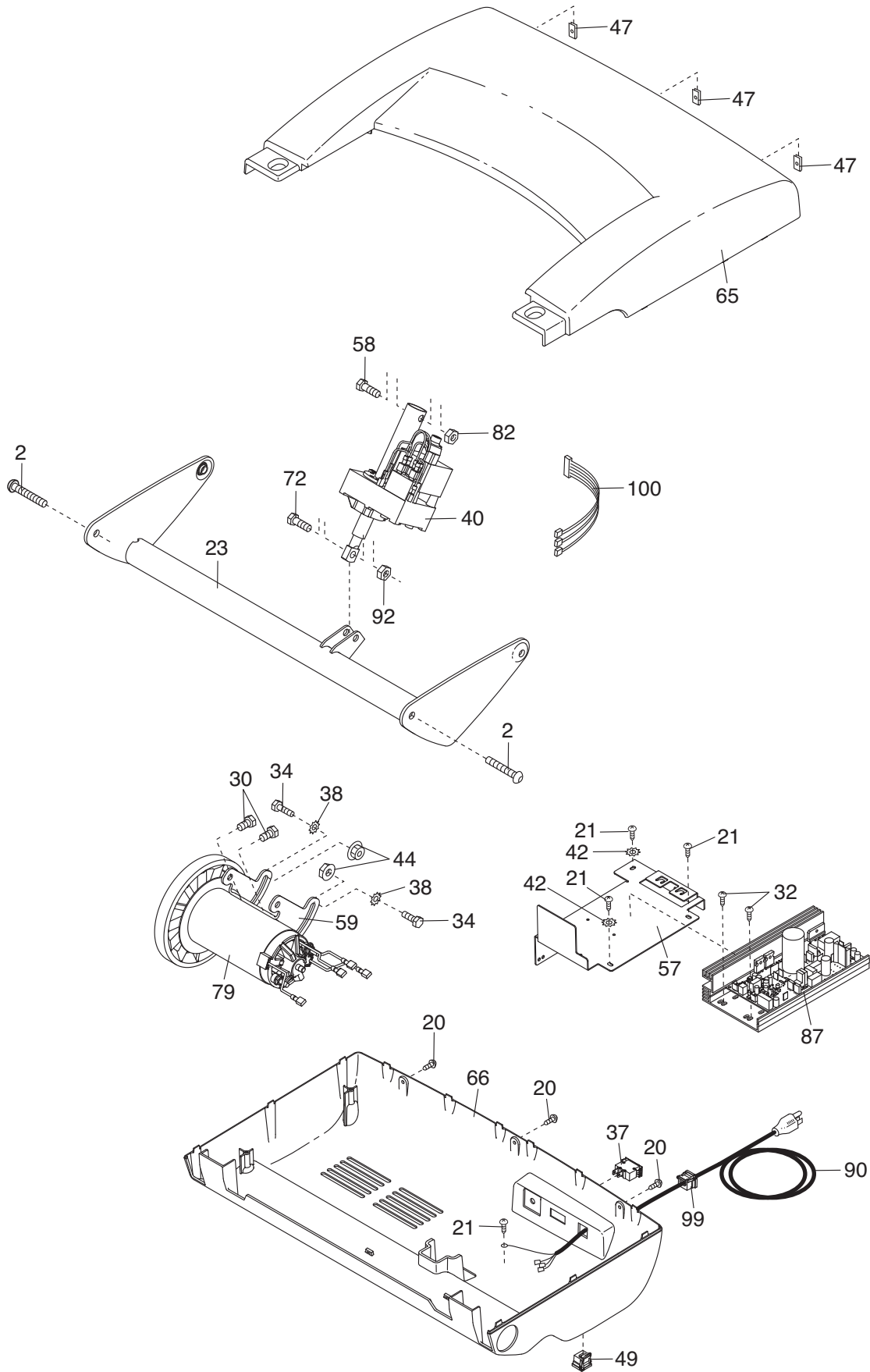
# EXPLODED DRAWING A – Model No. IMTL30510.0

R0910A



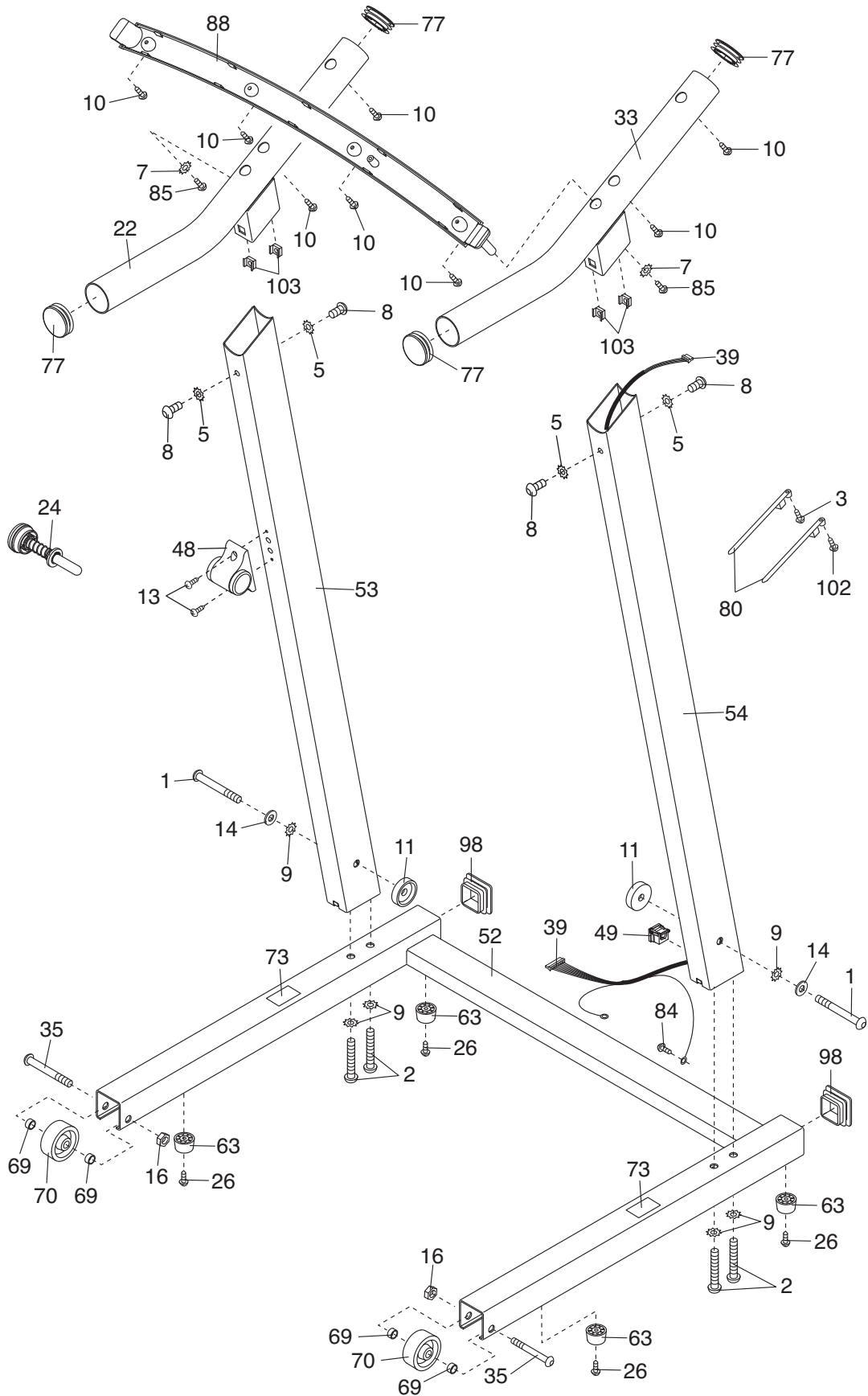
# EXPLODED DRAWING B—Model No. IMTL30510.0

R0910A



# EXPLODED DRAWING C—Model No. IMTL30510.0

R0910A



# EXPLODED DRAWING D—Model No. IMTL30510.0

R0910A

