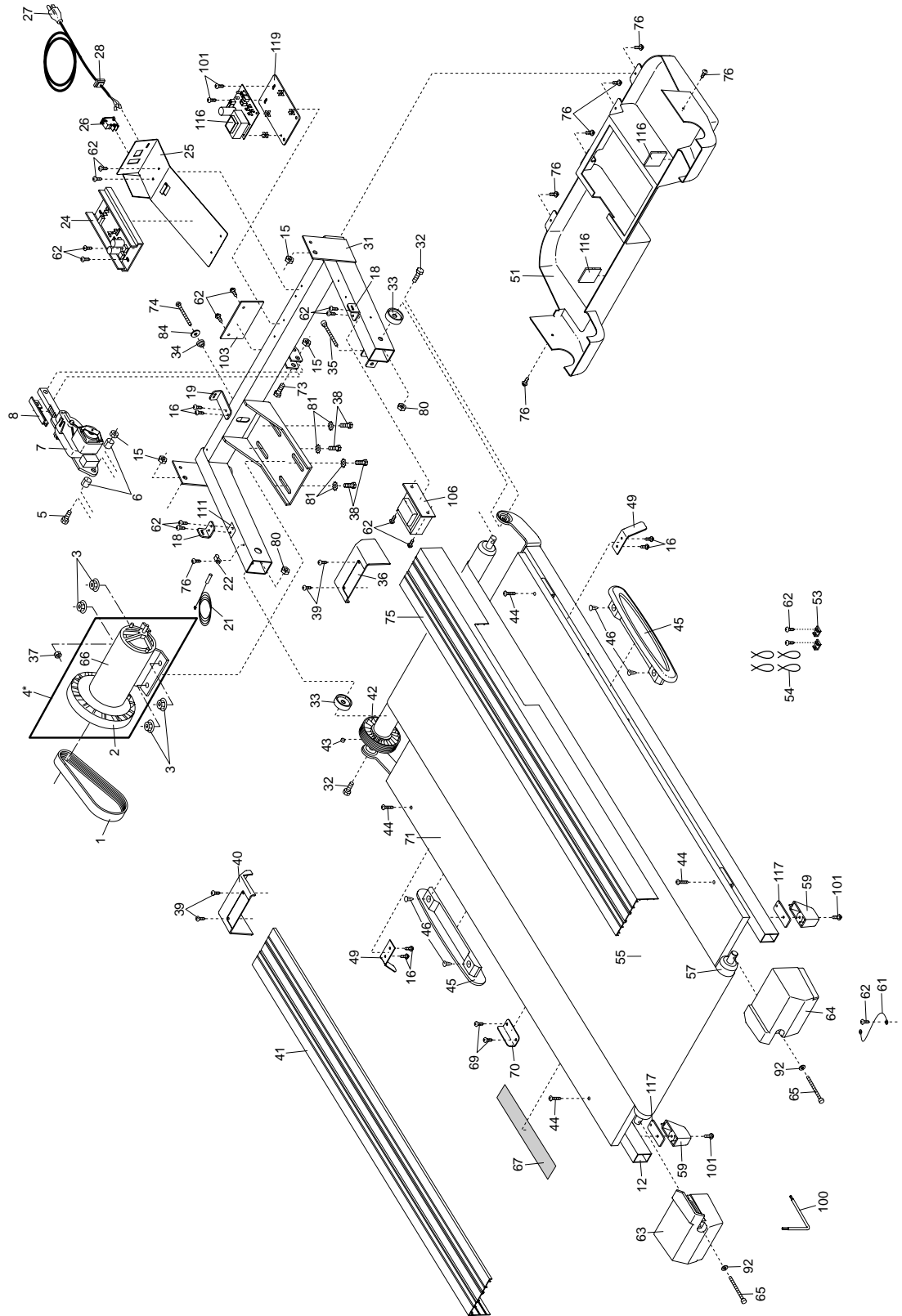


EXPLODED DRAWING—Model No. IMTL39522

R1002A



To identify parts shown on this EXPLODED DRAWING, refer to the PART LIST on page 27 of the user's manual.

EXPLODED DRAWING—Model No. IMTL39522

R1002A

