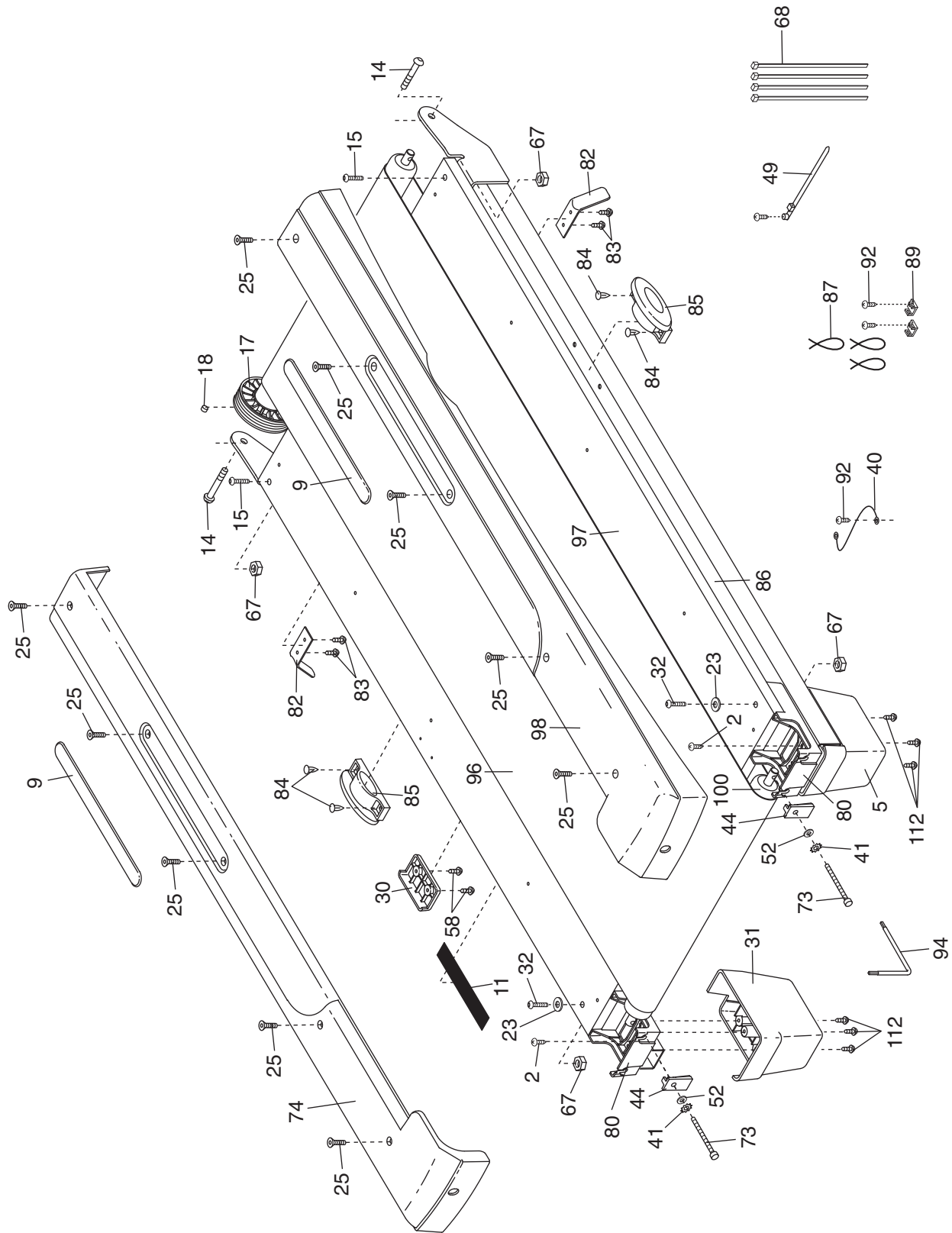


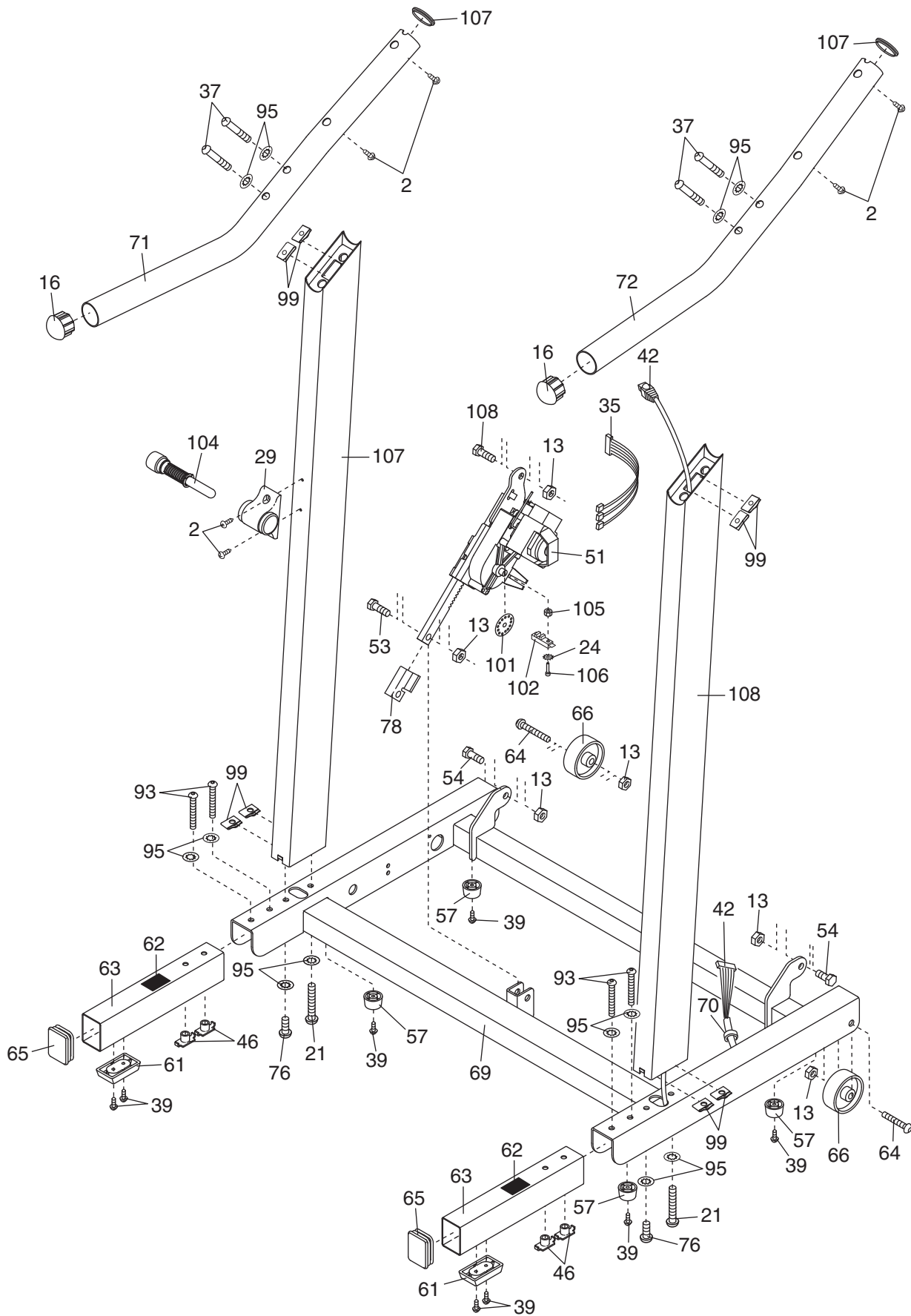
EXPLODED DRAWING A—Model No. IMTL39906.0

R0806A



EXPLODED DRAWING C—Model No. IMTL39906.0

R0806A



EXPLODED DRAWING D—Model No. IMTL39906.0

R0806A

