

PART LIST—Model No. IMTL4153.1

R0505A

To locate the parts listed below, see the EXPLODED DRAWING attached in the center of this manual.

| Key No. | Qty. | Description | Key No. | Qty. | Description |
|---------|------|------------------------------|---------|------|-----------------------|
| 1 | 2 | Foot Rail Cover | 56 | 1 | Right Foot Rail |
| 2 | 1 | Left Foot Rail | 57 | 1 | Rear Roller |
| 3 | 1 | Left Front Endcap | 58 | 1 | Right Rear Foot |
| 4 | 2 | Belt Guide | 59 | 1 | Allen Wrench |
| 5 | 4 | Belt Guide Screw | 60 | 2 | Rear Roller Adj. Bolt |
| 6 | 63 | 3/4" Screw | 61 | 2 | Rear Roller Washer |
| 7 | 1 | Left Decal Holder | 62 | 1 | Right Rear Endcap |
| 8 | 2 | Cushion Spring | 63 | 1 | Left Rear Foot |
| 9 | 4 | Catch Screw/Isolator Screw | 64 | 1 | Left Rear Endcap |
| 10 | 1 | Warning Deal | 65 | 2 | Small Endcap Screw |
| 11 | 2 | Rear Platform Bolt | 66 | 2 | Endcap Washer |
| 12 | 1 | Latch Catch | 67 | 4 | Front Endcap Screw |
| 13 | 2 | Spring Bolt (Bottom) | 68 | 1 | Left Handrail |
| 14 | 2 | Spring Bolt (Top) | 69 | 1 | Left Upright |
| 15 | 2 | Front Isolator | 70 | 1 | Latch Knob |
| 16 | 2 | Front Platform Screw | 71 | 2 | 1" Bolt |
| 17 | 2 | Platform Pivot Bolt | 72 | 4 | Internal Star Washer |
| 18 | 1 | Magnet | 73 | 1 | Left Handrail Bracket |
| 19 | 2 | 1.5" Console Screw | 74* | 1 | Latch Assembly |
| 20 | 1 | Motor Pivot Bolt | 75 | 1 | Latch Knob Sleeve |
| 21 | 6 | Wheel Nut/ Incline Motor Nut | 76 | 1 | Latch Pin Collar |
| 22 | 2 | Frame Spacer | 77 | 1 | Latch Spring |
| 23 | 1 | Reed Switch Clip | 78 | 1 | Jack |
| 24 | 1 | Reed Switch | 79 | 1 | Pin Clip |
| 25 | 1 | Reed Switch Screw | 80 | 1 | Latch Pin |
| 26 | 1 | Lift Frame | 81 | 1 | Right Handrail |
| 27 | 1 | Motor Tension Nut | 82 | 1 | Right Upright |
| 28 | 1 | Motor | 83 | 1 | Wire Harness |
| 29 | 1 | Pulley/Flywheel/Fan | 84 | 1 | Left Accessory Tray |
| 30 | 1 | Motor Belt | 85 | 1 | Console Base |
| 31* | 1 | Motor Assembly | 86 | 1 | Incline Clevis Pin |
| 32 | 1 | Motor Tension Bolt | 87 | 1 | Fan |
| 33 | 1 | Motor Tension Washer | 88 | 1 | Console |
| 34 | 1 | Motor Star Washer | 89 | 1 | Fan Housing |
| 35 | 2 | Motor Bracket Bolt | 90 | 1 | Right Accessory Tray |
| 36 | 7 | Small Screw | 91 | 1 | Key/Clip |
| 37 | 2 | Ground Wire | 92 | 2 | 1 1/4" Screw |
| 38 | 1 | Transformer | 93 | 2 | 2" Sliver Screw |
| 39 | 1 | Hood | 94 | 1 | Access Door |
| 40 | 1 | Controller | 95 | 1 | Console Back |
| 41 | 1 | Power Cord | 96 | 1 | Tie Holder |
| 42 | 1 | iFIT.com Wire Nut | 97 | 1 | Releasable Tie |
| 43 | 1 | iFIT.com Wire | 98 | 1 | Plastic Tie |
| 44 | 1 | Power Cord Grommet | 99 | 2 | Base Endcap |
| 45 | 1 | Static Decal | 100 | 2 | Front Base Pad |
| 46 | 1 | Reset/Off Switch | 101 | 2 | Clevis Pin |
| 47 | 3 | Belly Pan Screw | 102 | 3 | Hairpin Cotter |
| 48 | 1 | Belly Pan | 103 | 4 | Cage Nut |
| 49 | 1 | Photo Switch Wire | 104 | 4 | 1 1/4" Bolt |
| 50 | 1 | Filter Wire | 105 | 2 | Rear Base Pad |
| 51 | 1 | Right Front Endcap | 106 | 2 | Wheel Housing |
| 52 | 1 | Walking Belt | 107 | 2 | Wheel Bolt |
| 53 | 1 | Walking Platform | 108 | 2 | Wheel |
| 54 | 1 | Frame | 109 | 1 | Base |
| 55 | 2 | Platform Nut | 110 | 1 | Incline Stop Bracket |

| Key No. | Qty. | Description | Key No. | Qty. | Description |
|---------|------|-------------------------|---------|------|------------------------|
| 111 | 1 | Incline Motor Bolt | 126 | 2 | Caution Decal |
| 112 | 1 | Incline Motor | 127 | 2 | 5/16" Star Washer |
| 113 | 1 | Right Handrail Bracket | 128 | 1 | Front Roller Bushing |
| 114 | 1 | Right Decal Holder | # | 1 | 10" Blue Wire, 2 F |
| 115 | 1 | 5/32" Allen Wrench | # | 1 | 4" Blue Wire, 2 F |
| 116 | 1 | iFIT.com Cable | # | 1 | 4" Black Wire, M/F |
| 117 | 1 | Motor Bracket | # | 1 | 4" Red Wire, M/F |
| 118 | 2 | J-Nut | # | 1 | 12" Green Wire, F/Ring |
| 119 | 1 | Front Roller Adj. Bolt | # | 1 | User's Manual |
| 120 | 1 | Front Roller/Pulley | | | |
| 121 | 4 | Long Belly Pan Screw | | | |
| 122 | 1 | Controller Wire | | | |
| 123 | 2 | Rear Roller Star Washer | | | |
| 124 | 1 | Pulse Wire | | | |
| 125 | 1 | Pulse Bar | | | |

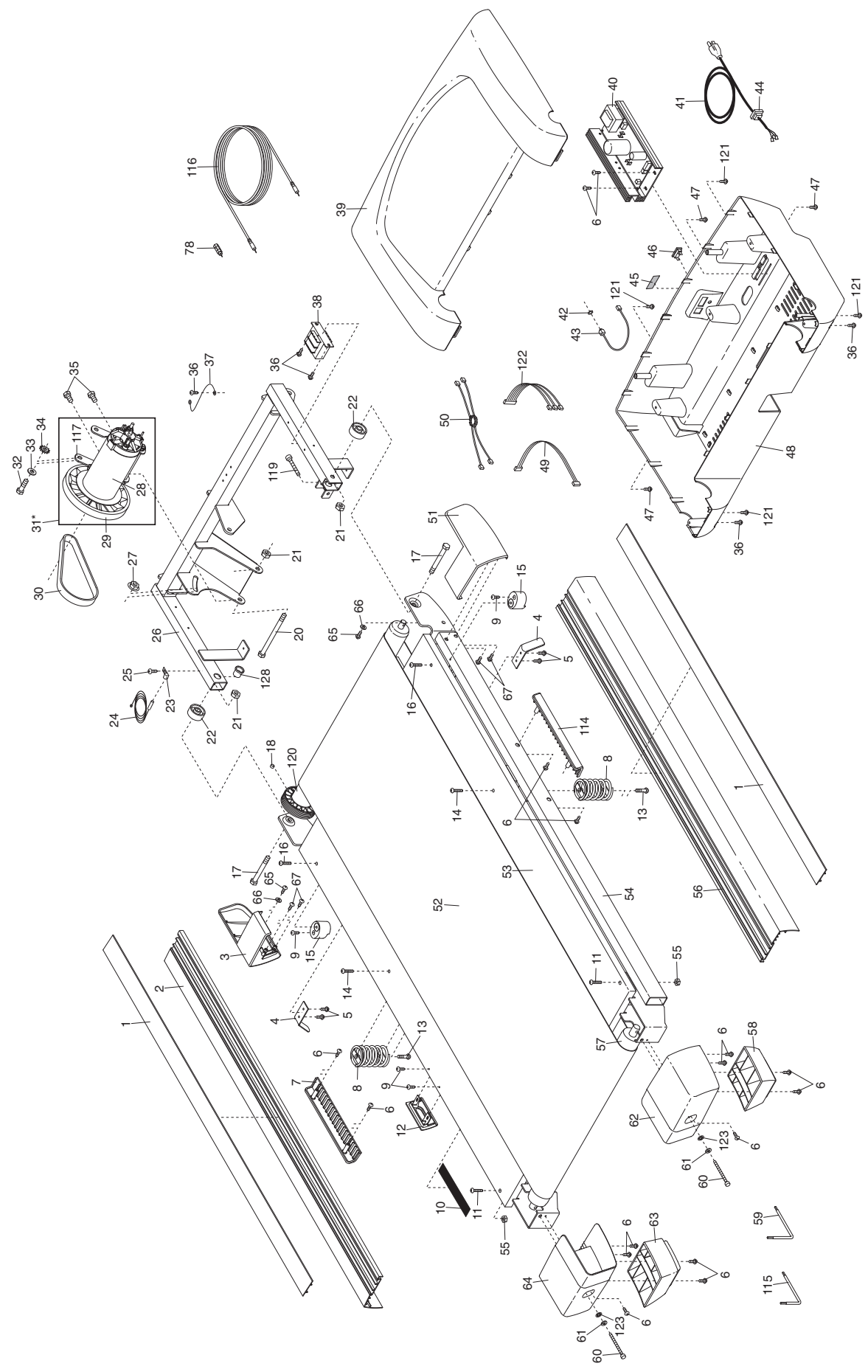
* Includes all parts shown in the box

These parts are not illustrated

Specifications are subject to change without notice.

EXPLODED DRAWING—Model No. IMTL4153.1

R0505A



EXPLODED DRAWING—Model No. IMTL4153.1

R0505A

