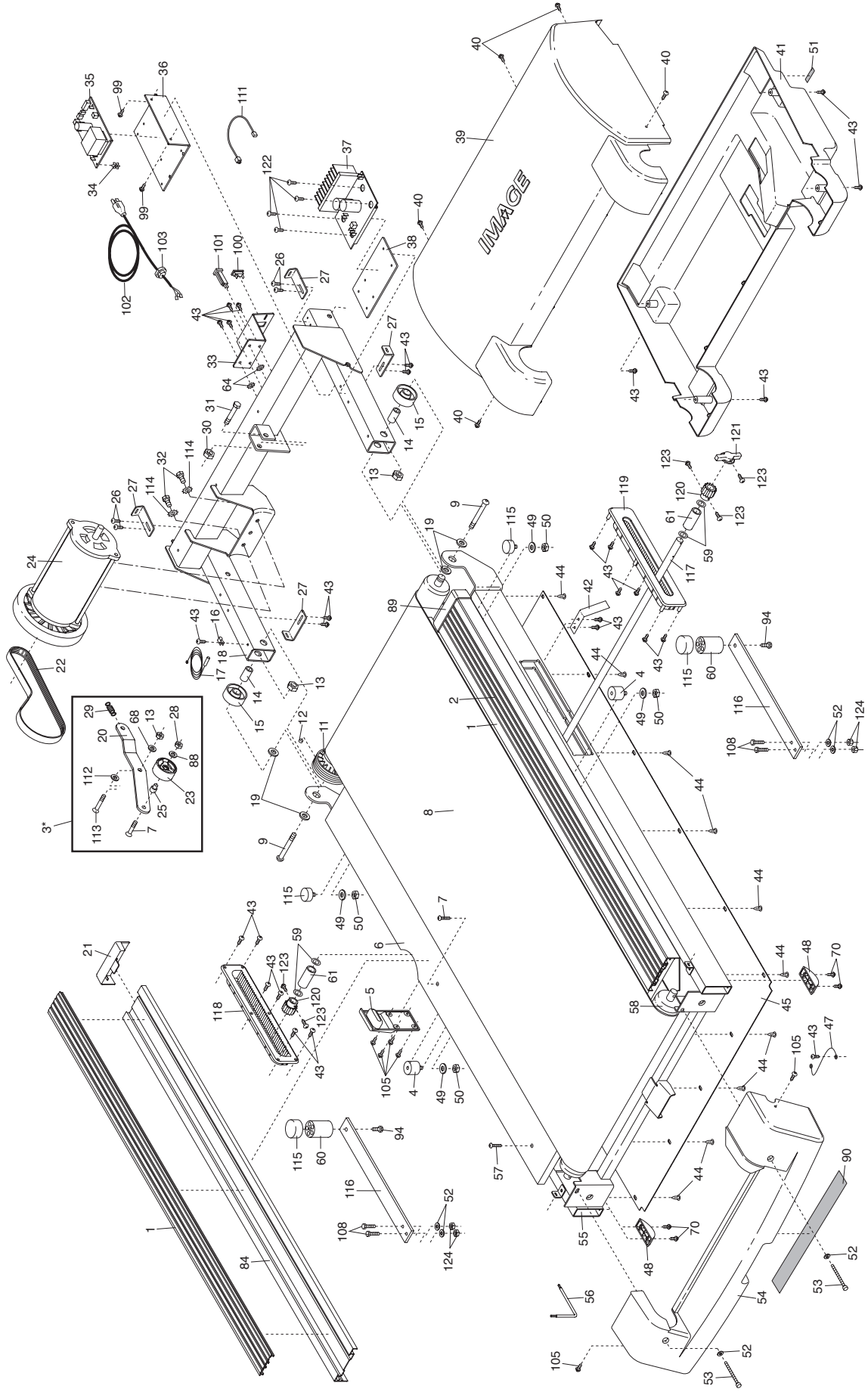


# EXPLODED DRAWING—Model No. IMTL99001

R0900A



# EXPLODED DRAWING — Model No. IMTL99001

R0900A

