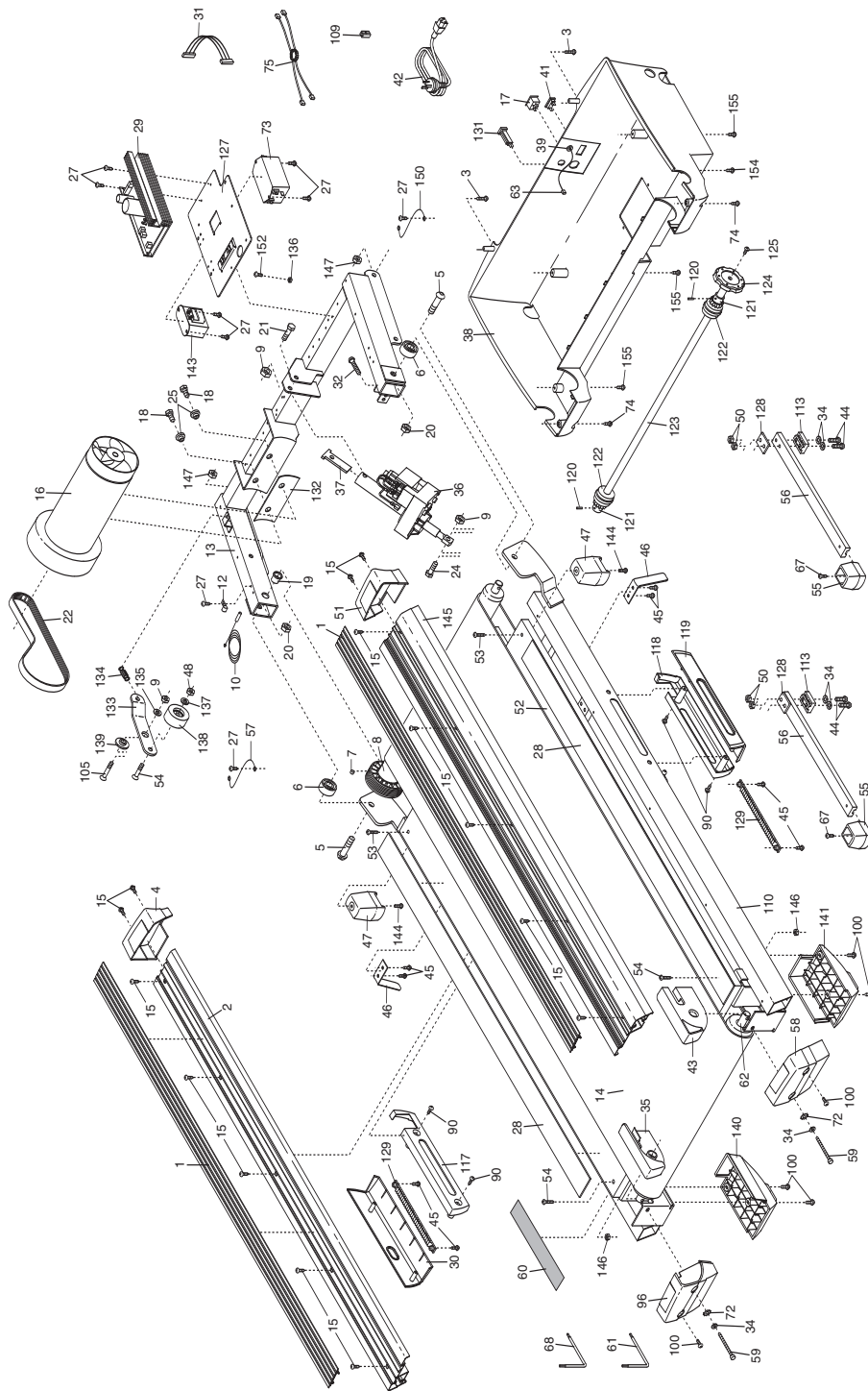


# EXPLODED DRAWING—Model No. NATL82205.0

R0805A



To identify the parts shown on this exploded drawing, see the PART LIST on pages 34 and 35 of the USER'S MANUAL.

# EXPLODED DRAWING—Model No. NATL82205.0

R0805A

