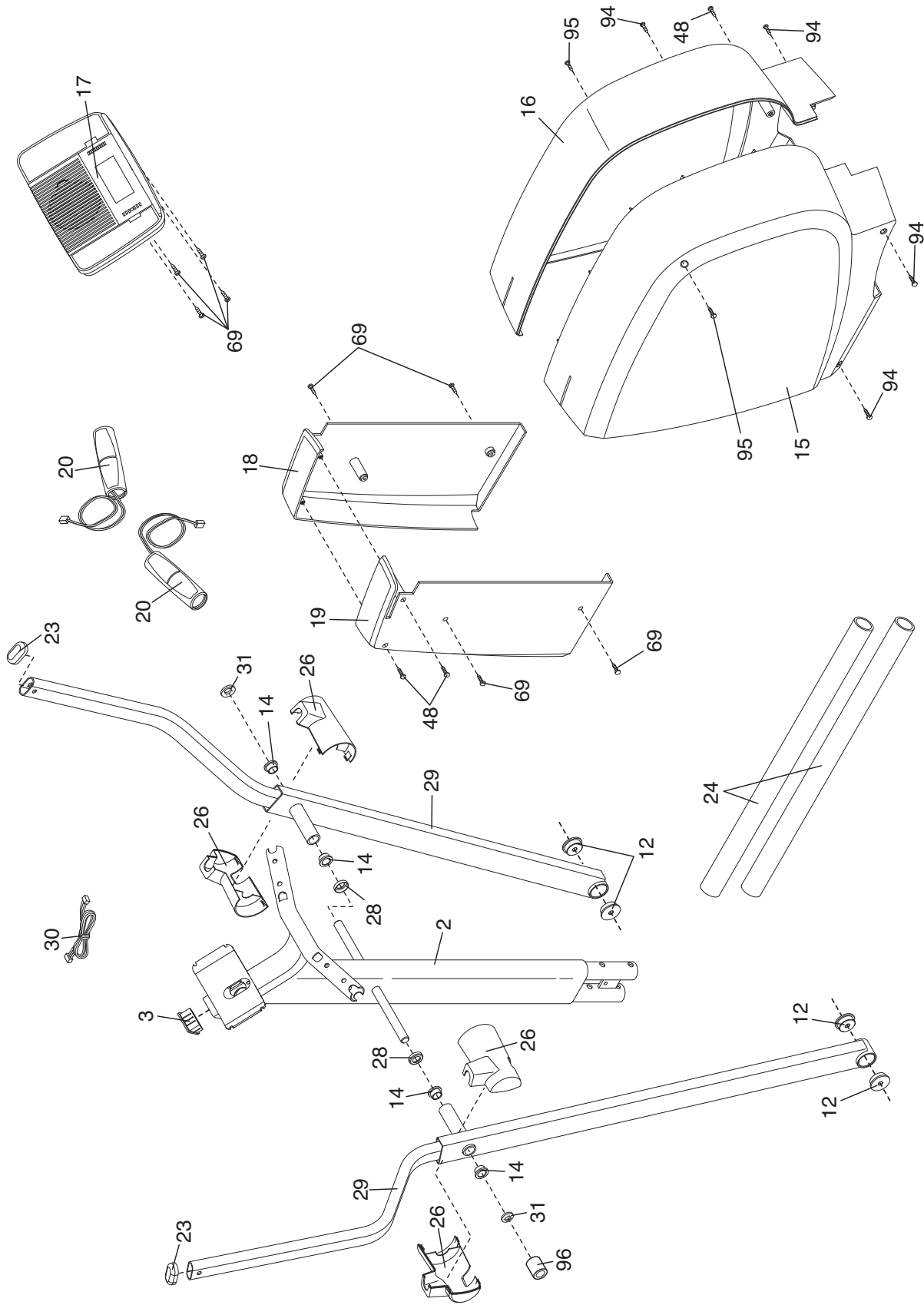


EXPLODED DRAWING A—Model No. NEL5095.0

R0205A



EXPLODED DRAWING B—Model No. NEL5095.0

R0205A

