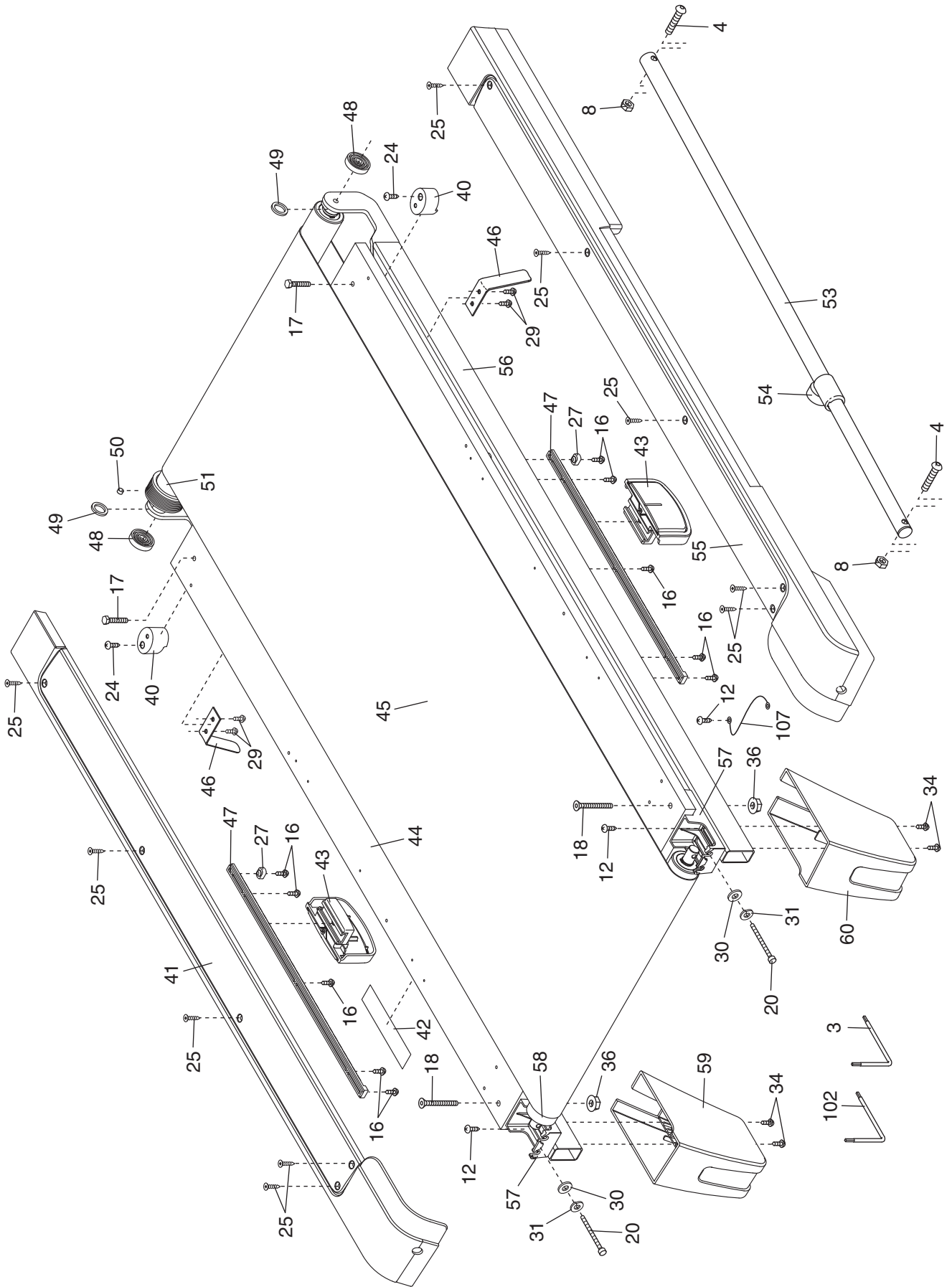


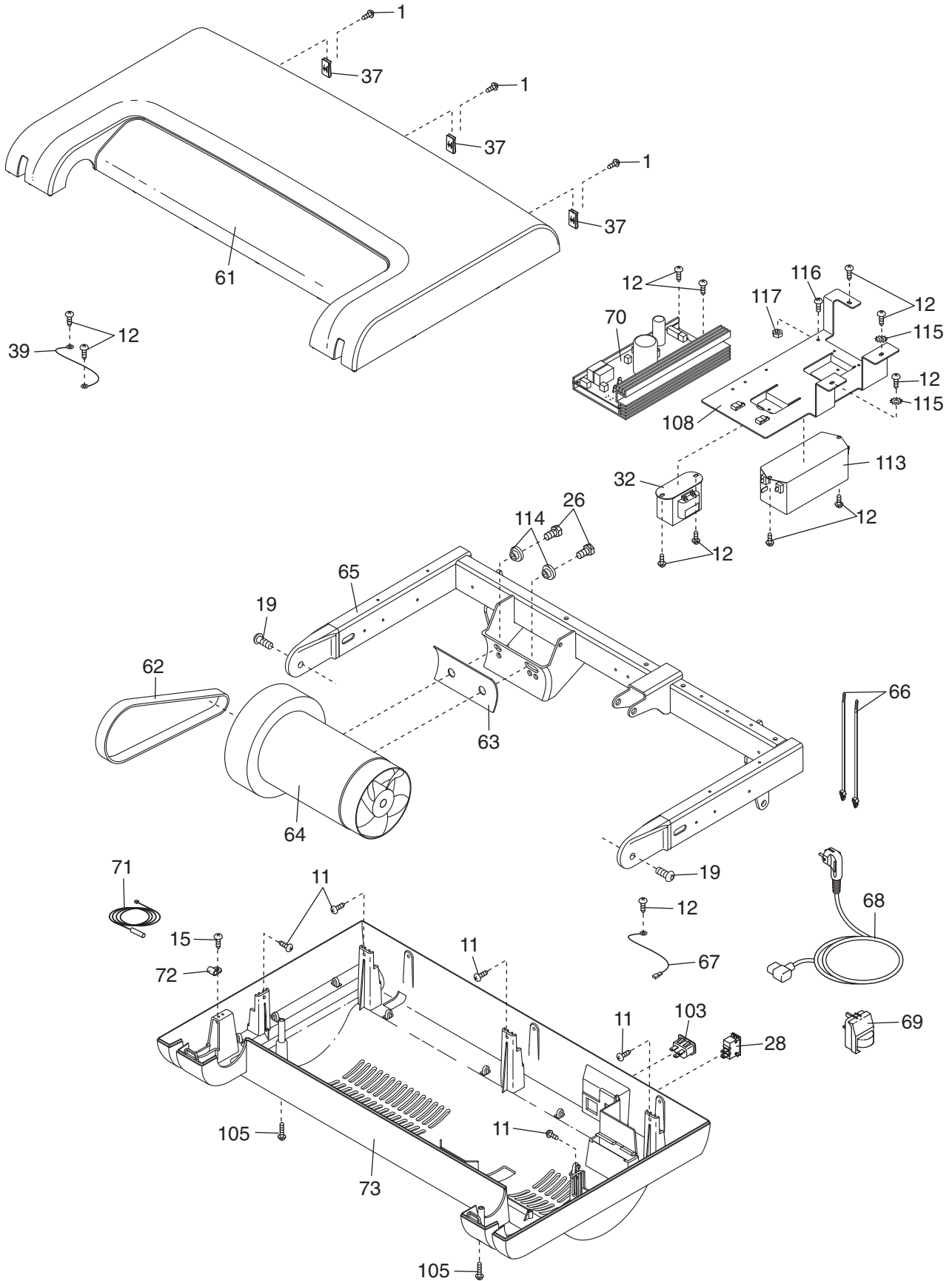
# EXPLODED DRAWING A—Model No. NETL12807.0

R1007A



# EXPLODED DRAWING B—Model No. NETL12807.0

R1007A





# EXPLODED DRAWING D—Model No. NETL12807.0

R1007A

