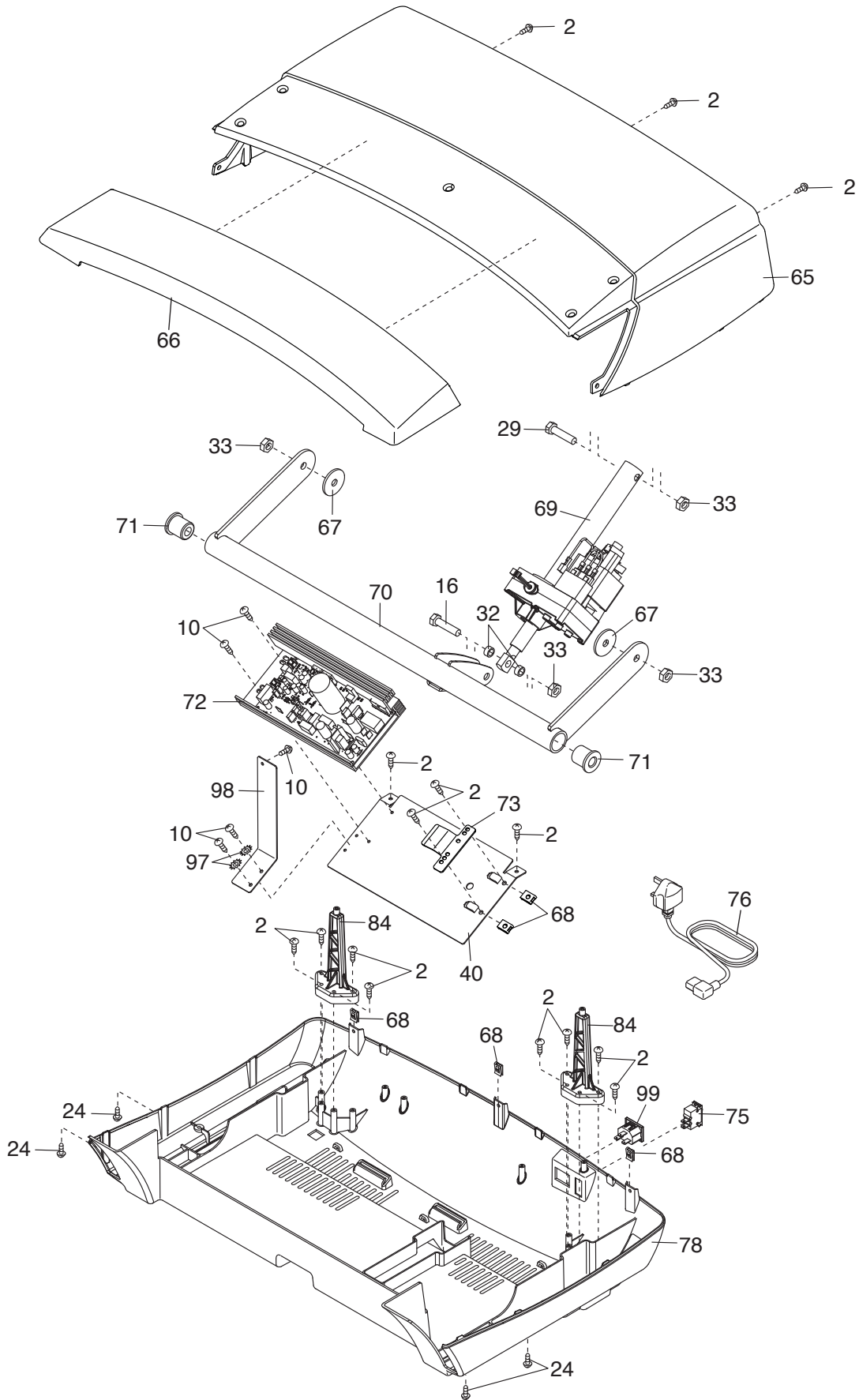


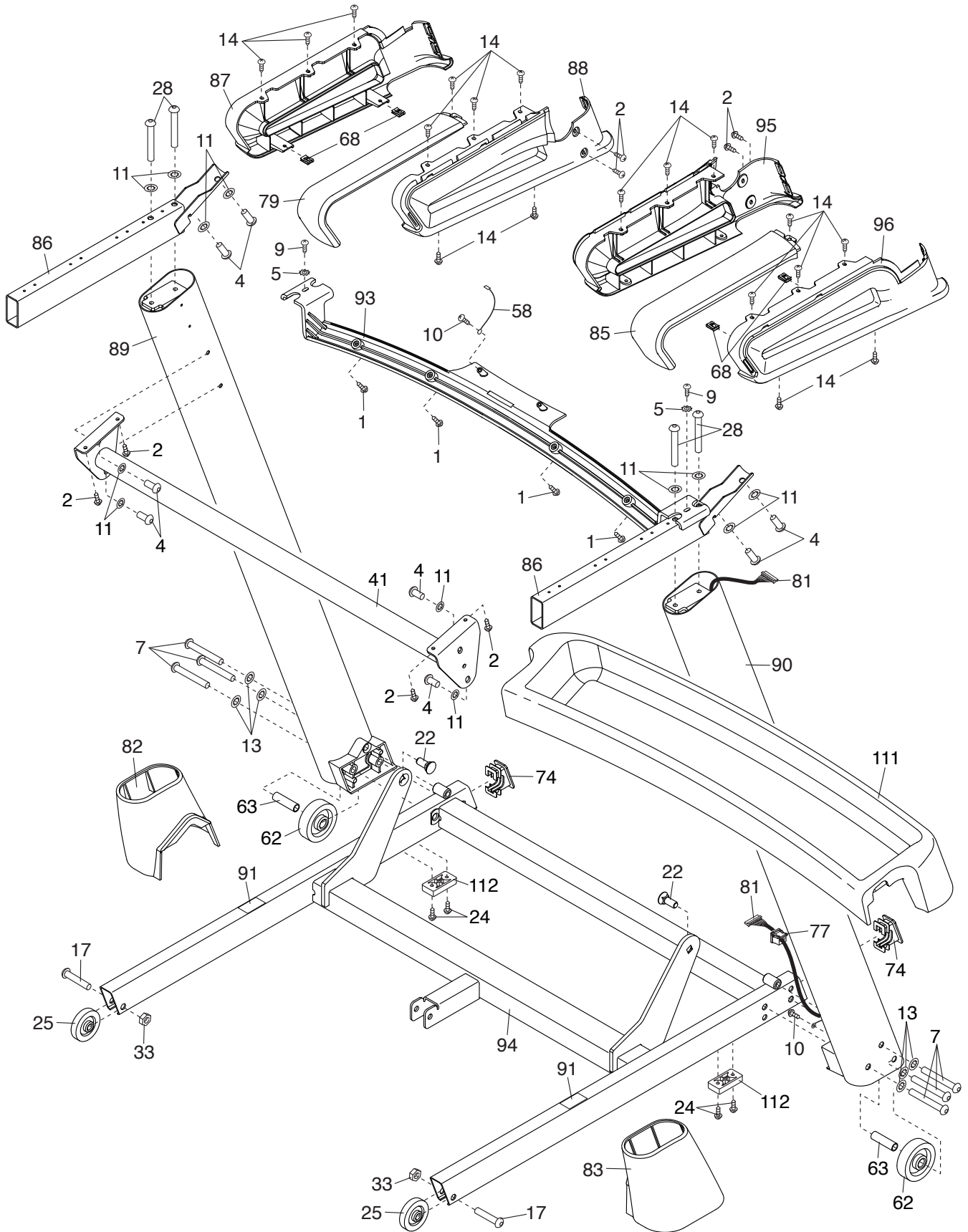
EXPLODED DRAWING B

Model No. NETL15815.2 R0217A



EXPLODED DRAWING C

Model No. NETL15815.2 R0217A



EXPLODED DRAWING D

Model No. NETL15815.2 R0217A

