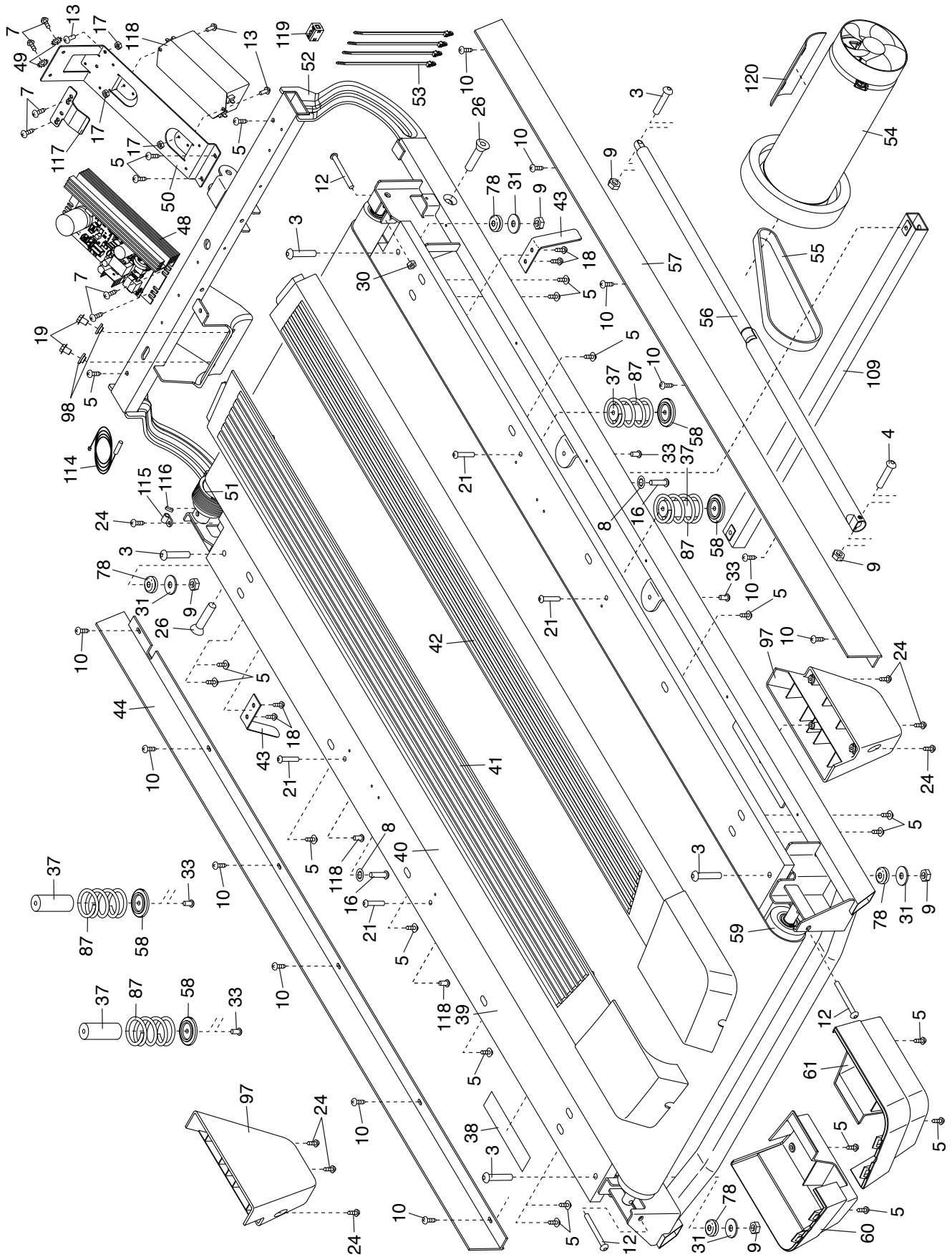


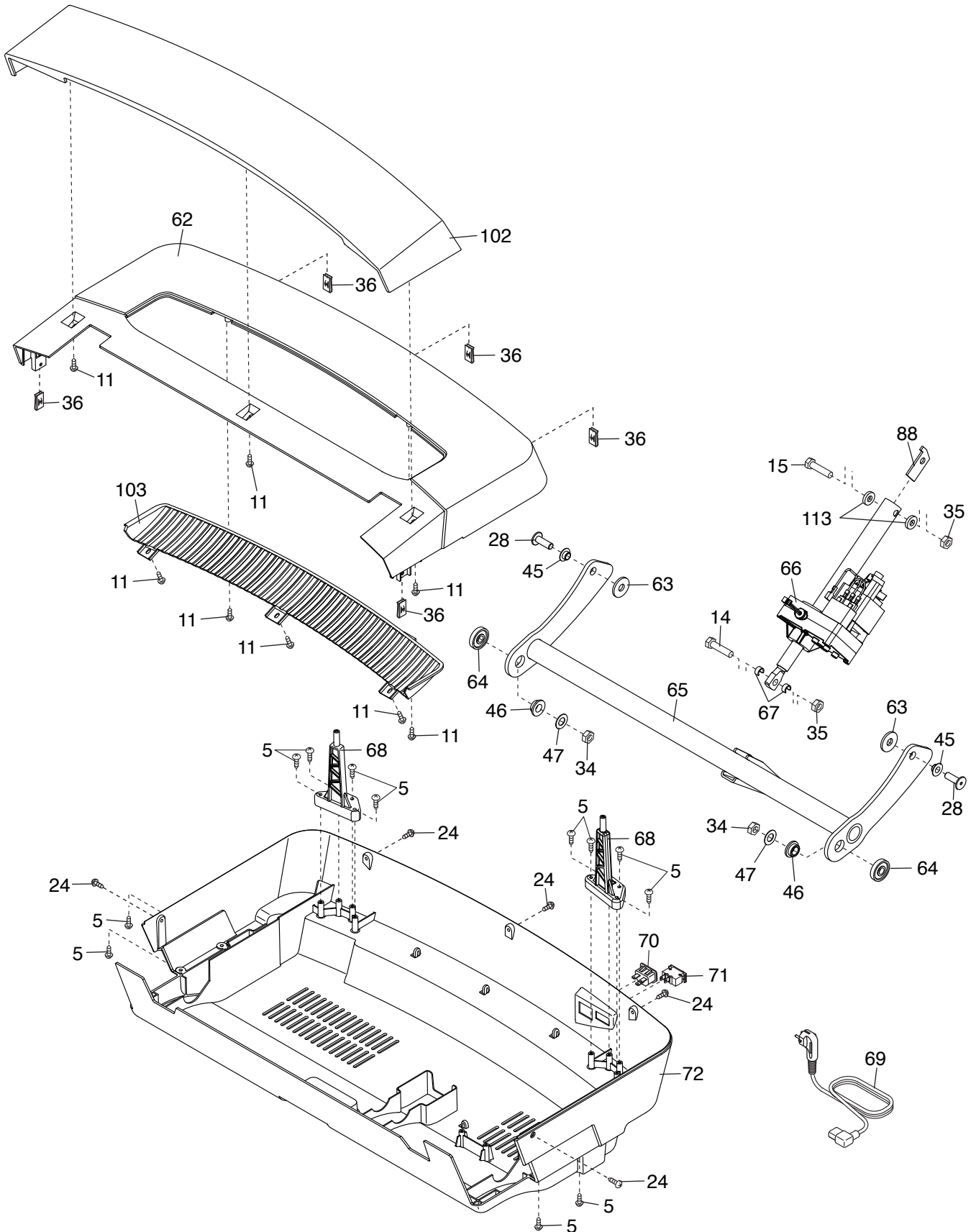
EXPLODED DRAWING A

Model No. NETL20717.1 R0818A



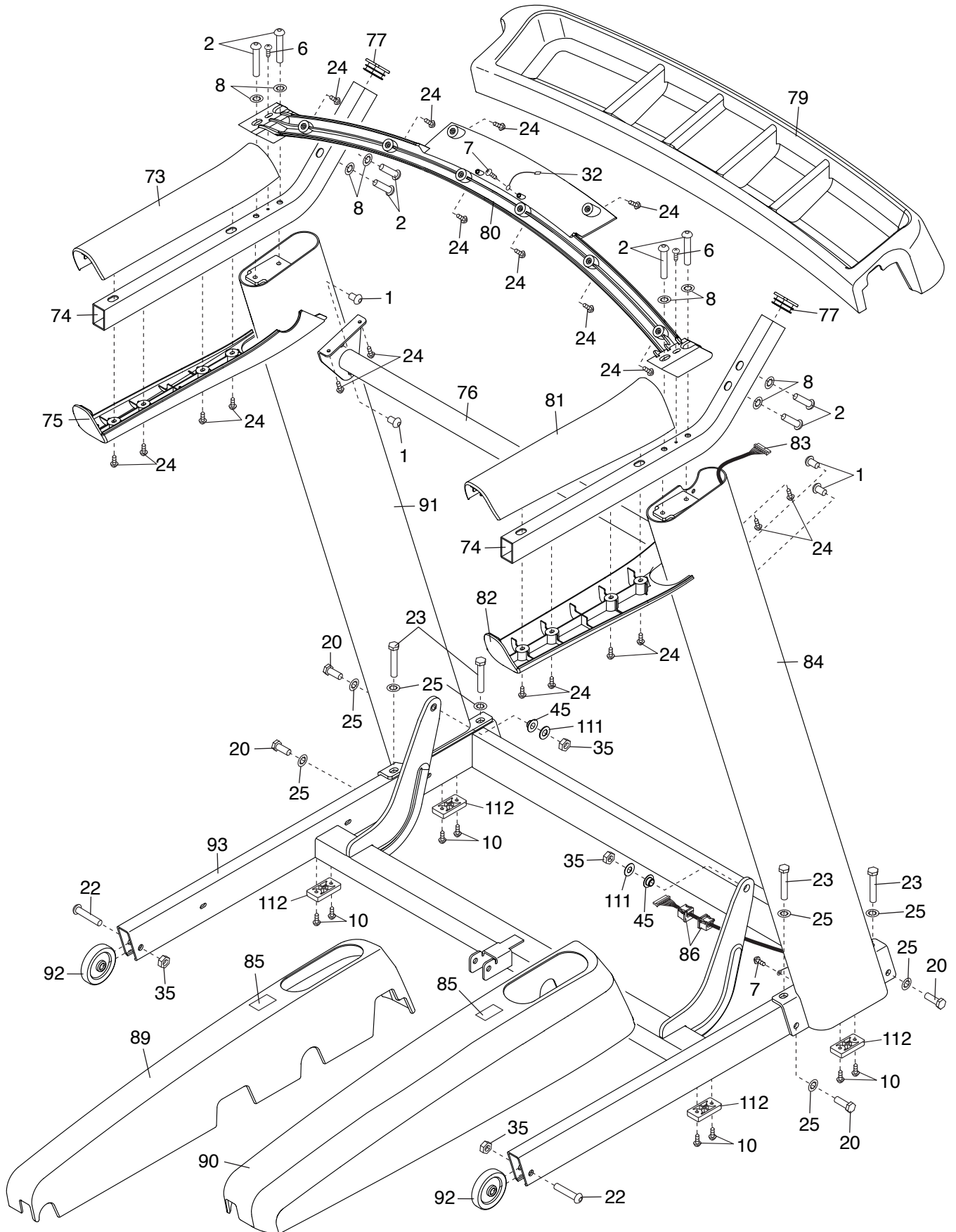
EXPLODED DRAWING B

Model No. NETL20717.1 R0818A



EXPLODED DRAWING C

Model No. NETL20717.1 R0818A



EXPLODED DRAWING D

Model No. NETL20717.1 R0818A

