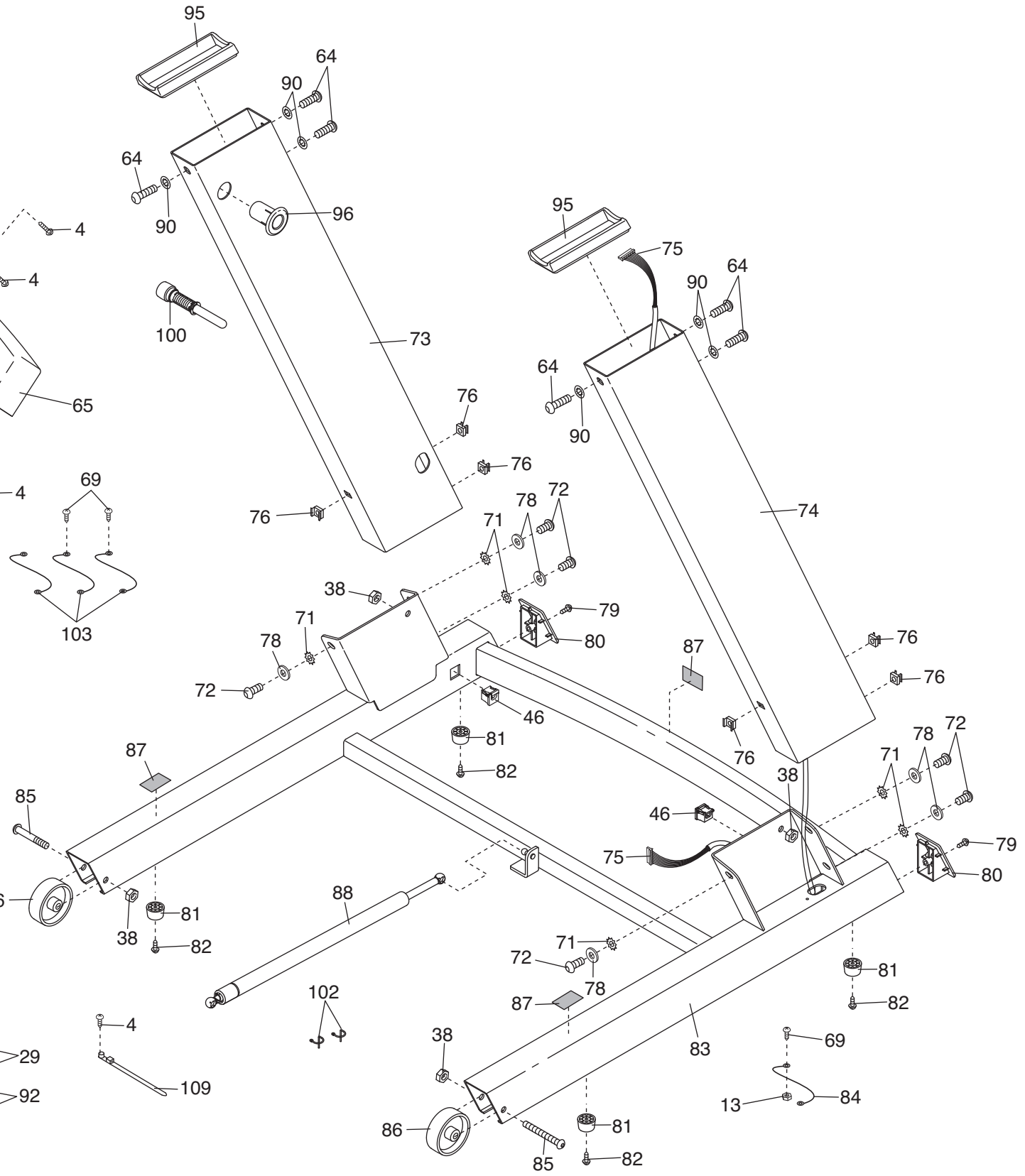
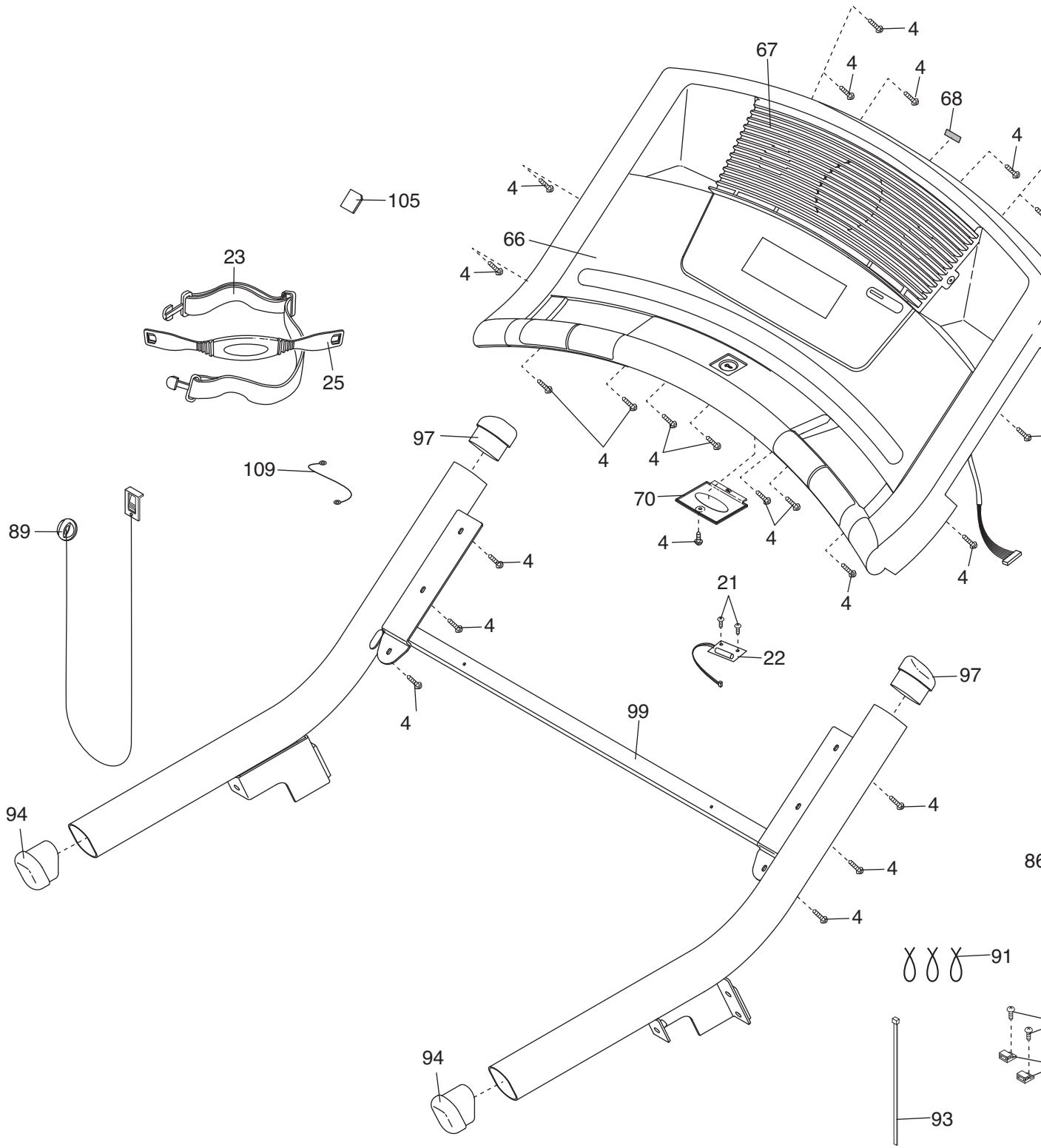


EXPLODED DRAWING—Model No. NETL81906.1

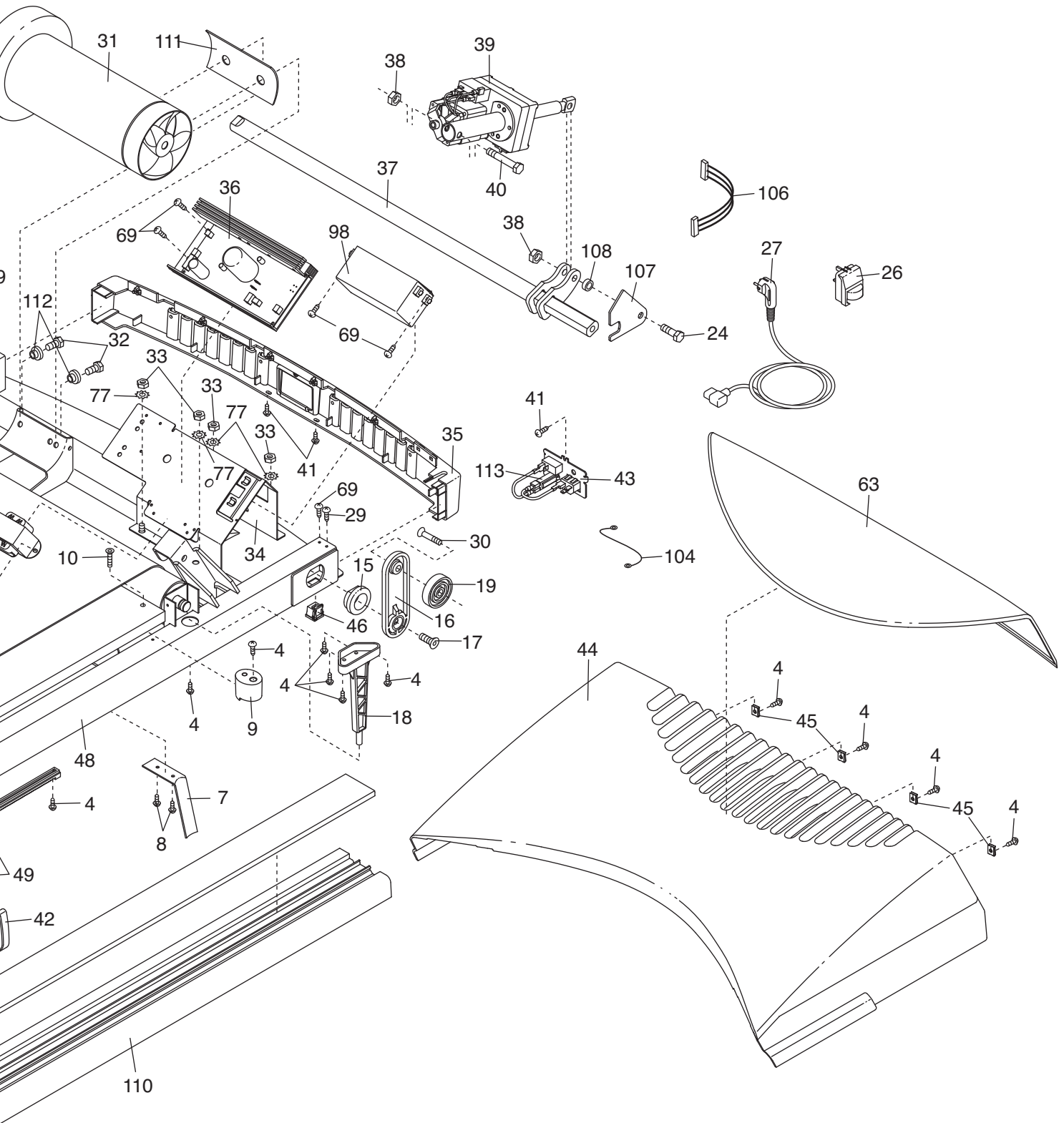
R1008A





EXPLODED DRAWING—Model No. NETL81906.1

R1008A



To identify the parts shown on this EXPLODED DRAWING, see the PART LIST on pages 30 and 31.