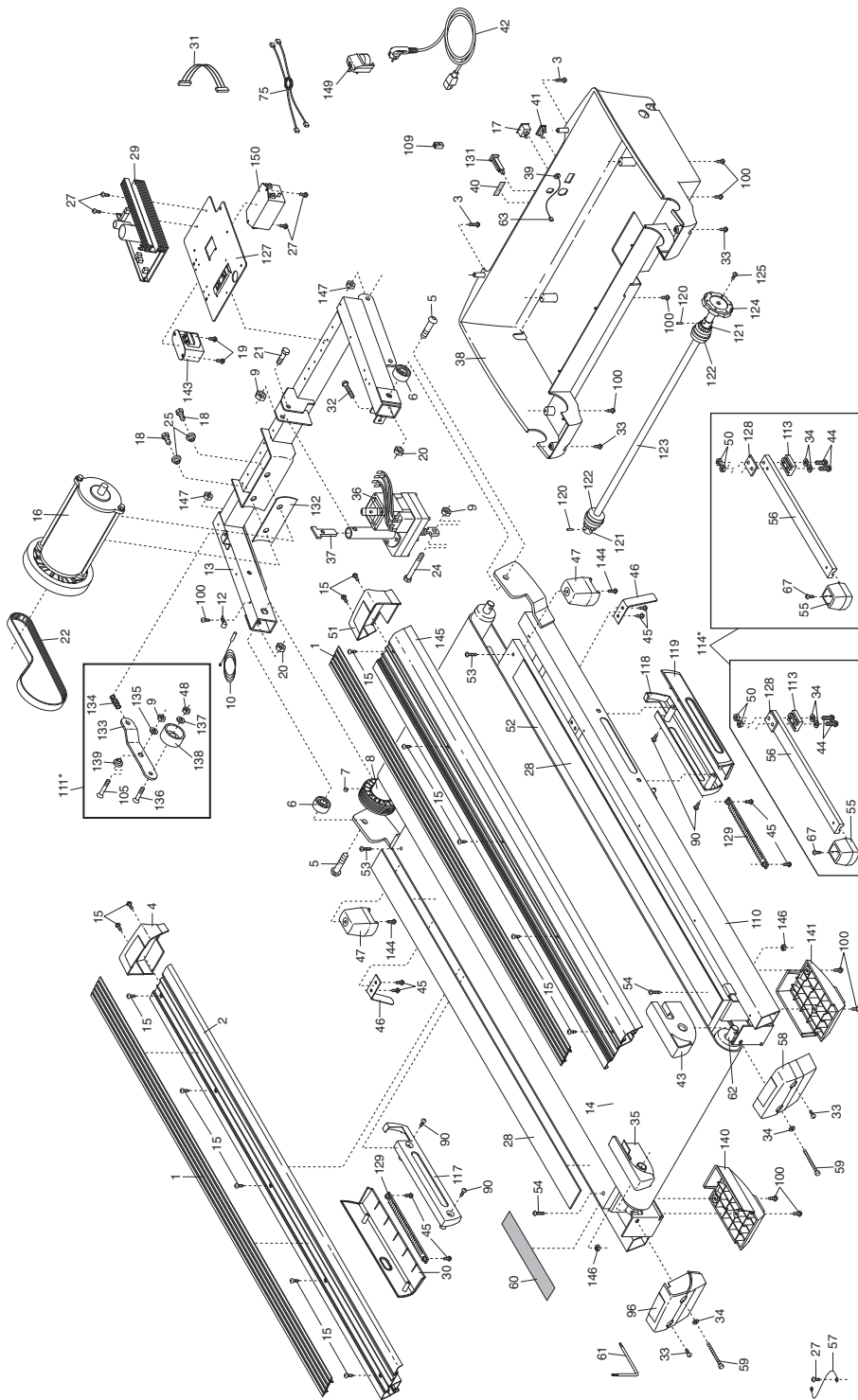


EXPLODED DRAWING—Model No. NETL9013.6

R0506A



To identify the parts shown on this exploded drawing, refer to the PART LIST on pages 34 and 35 of the USER'S MANUAL.

EXPLODED DRAWING—Model No. NETL9013.6

R0506A

