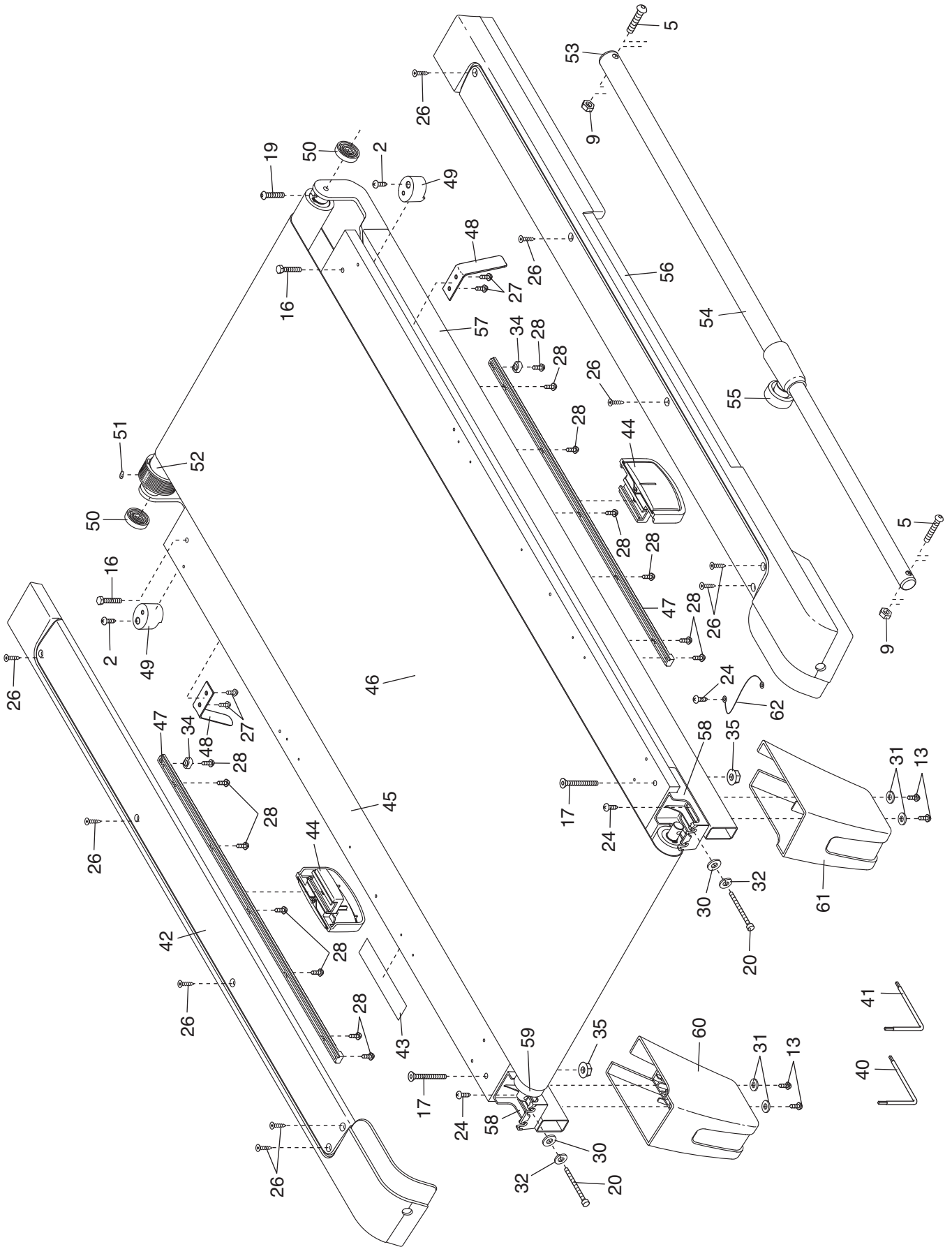


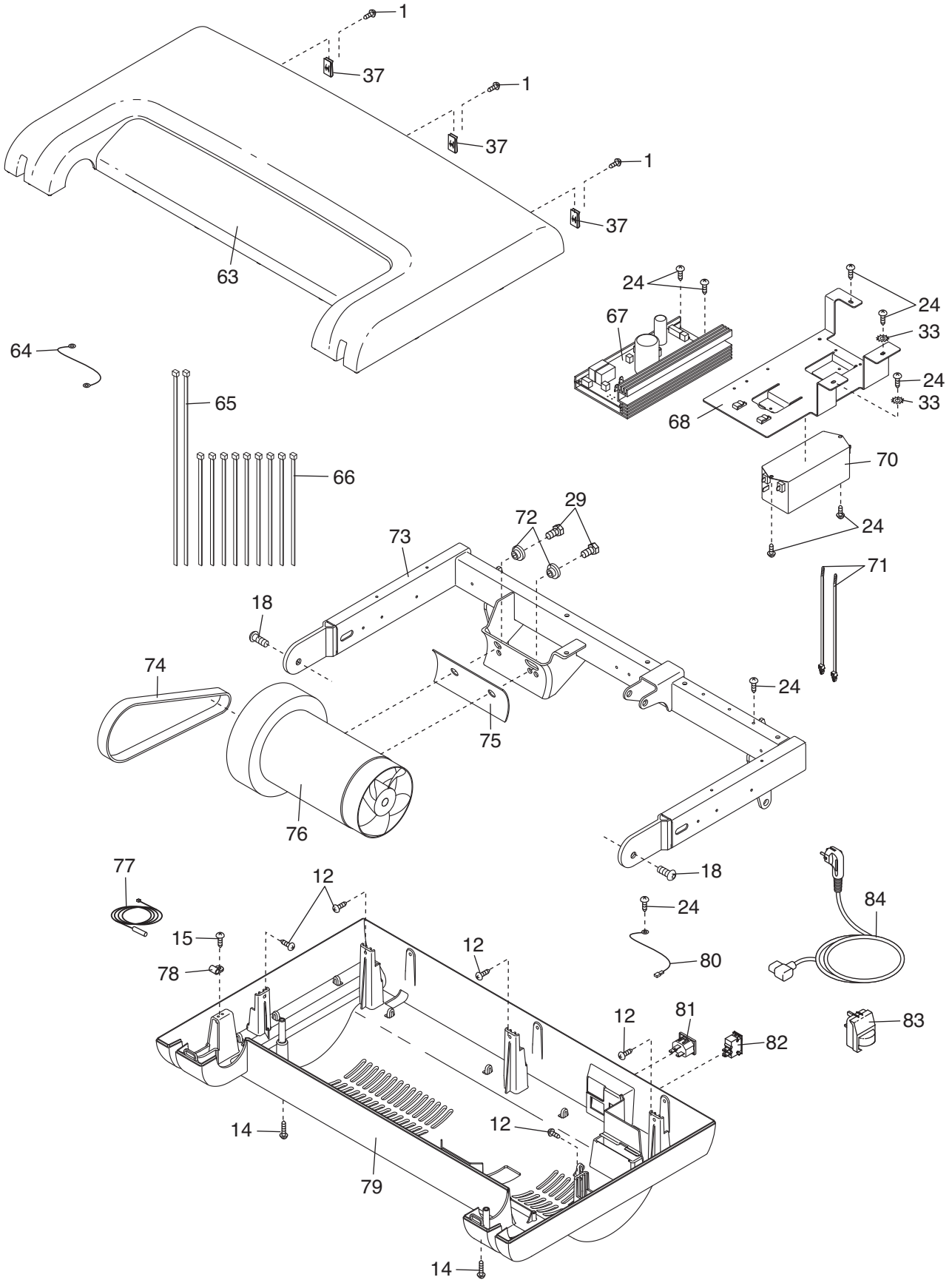
EXPLODED DRAWING A—Model No. NETL99809.1

R1109A



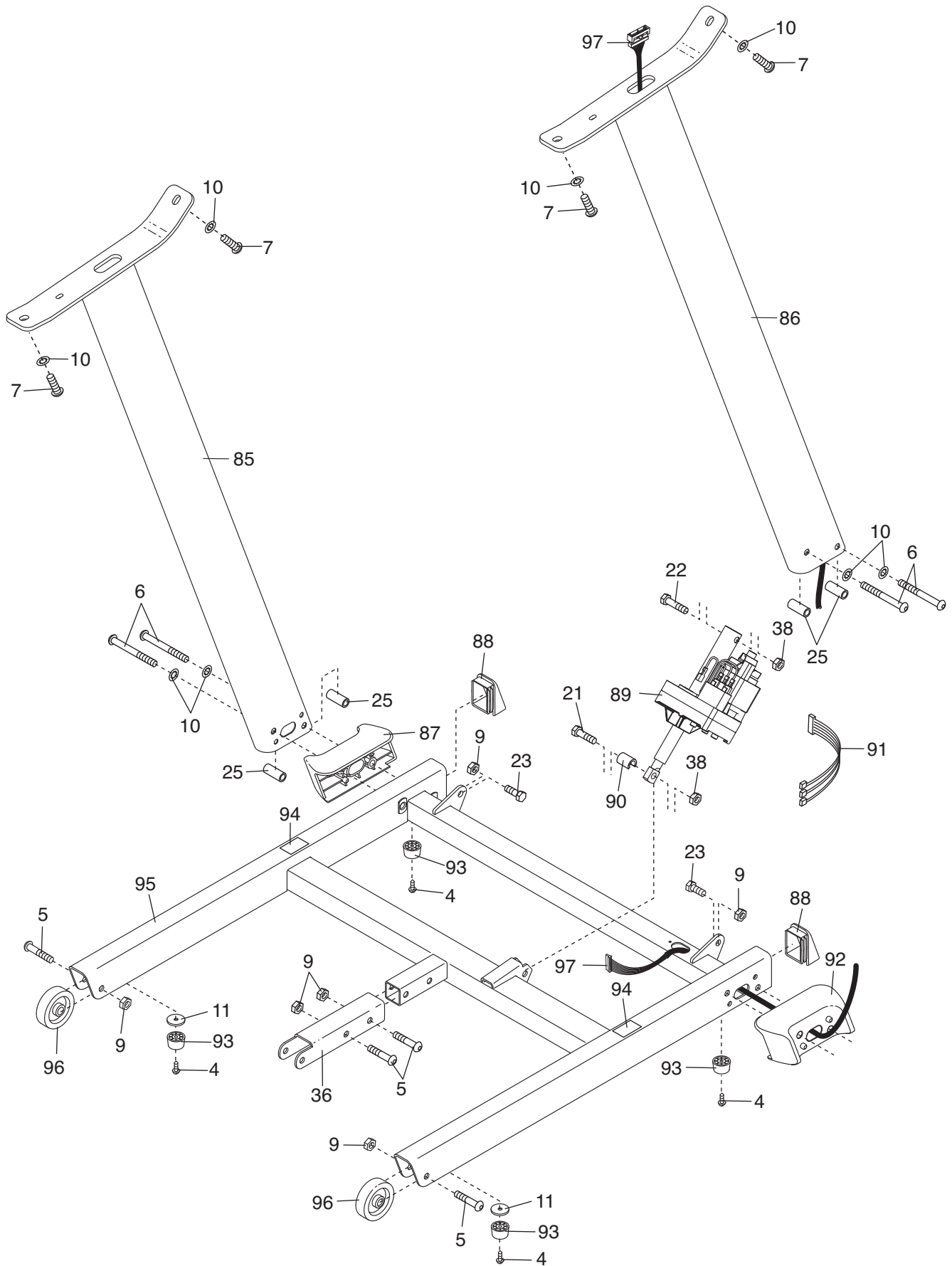
EXPLODED DRAWING B—Model No. NETL99809.1

R1109A



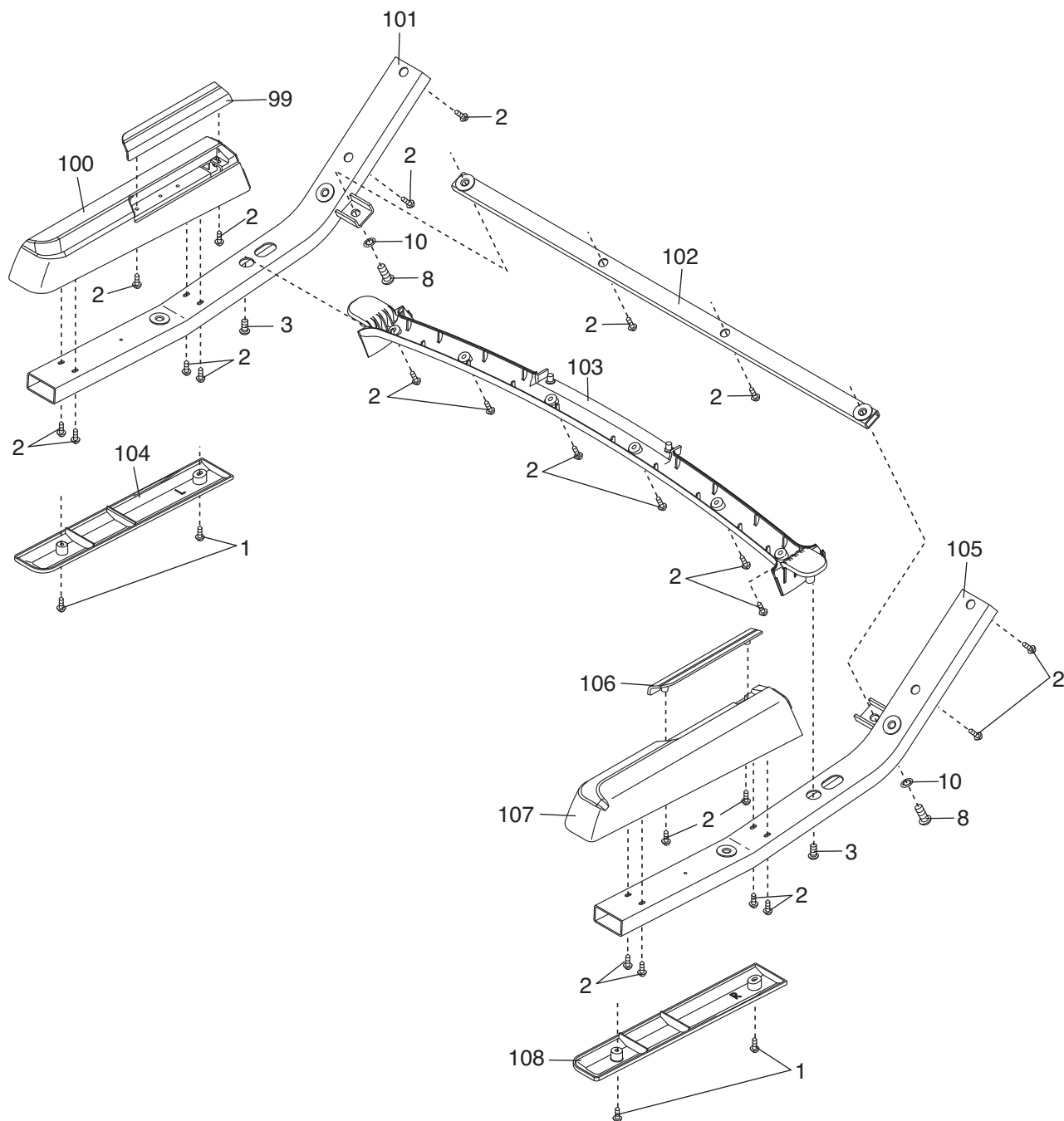
EXPLODED DRAWING C—Model No. NETL99809.1

R1109A



EXPLODED DRAWING D—Model No. NETL99809.1

R1109A



EXPLODED DRAWING E—Model No. NETL99809.1

R1109A

