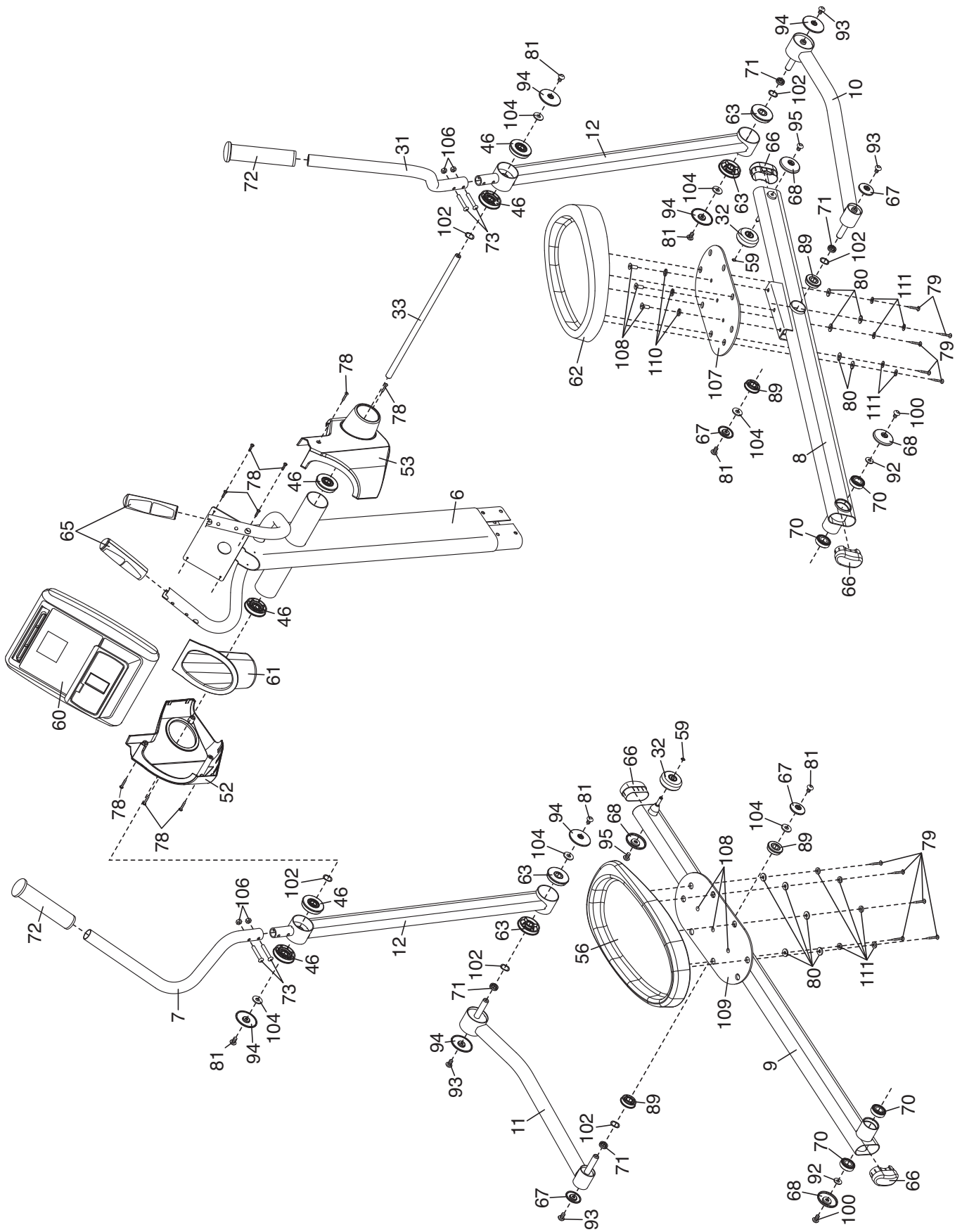


EXPLODED DRAWING A—Model No. NTCCEL16907.0 R0708A



EXPLODED DRAWING B—Model No. NTCCEL16907.0 R0708A

