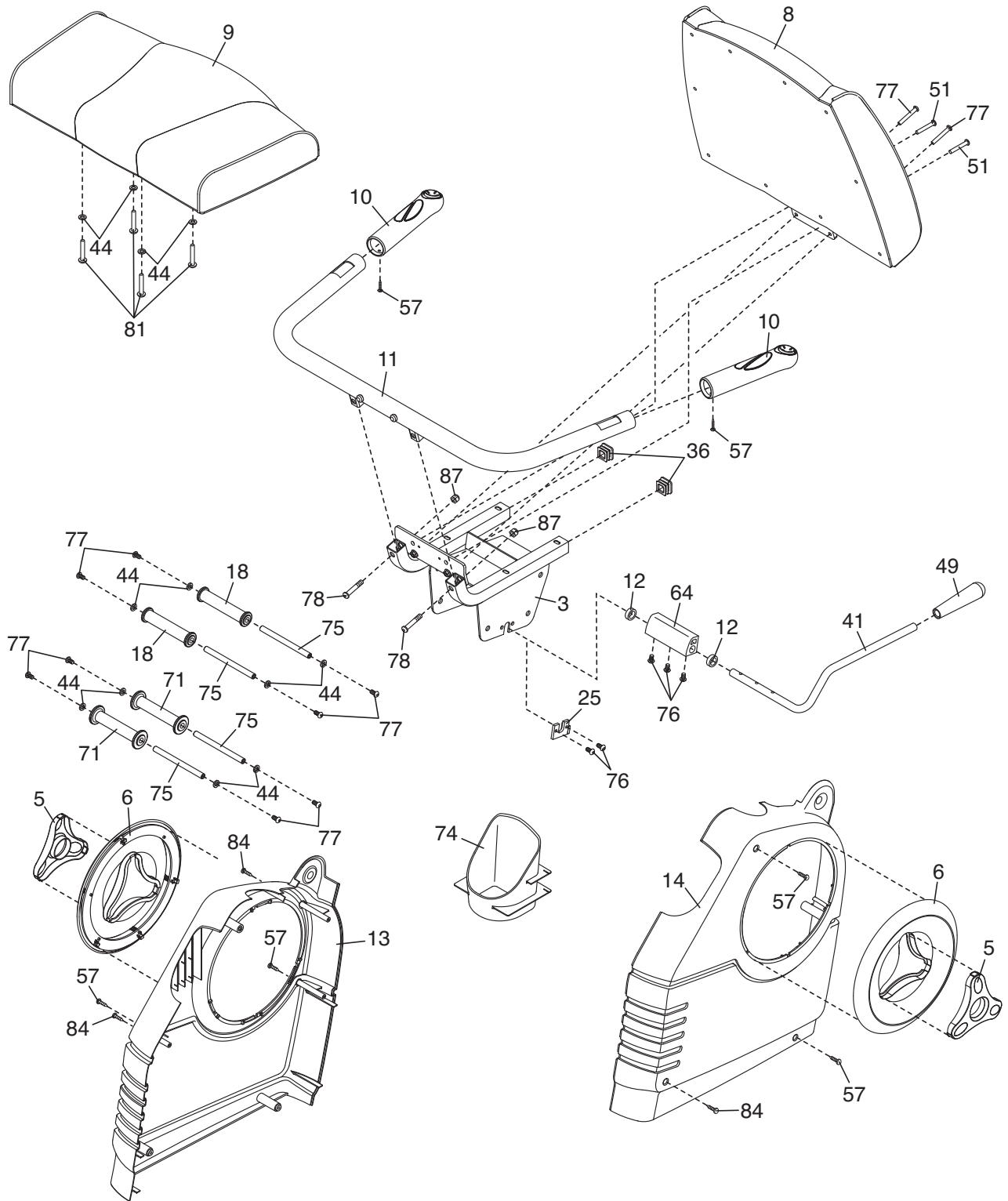


# EXPLODED DRAWING A—Model No. NTCCEX03909.0 R0110A



# EXPLODED DRAWING B—Model No. NTCCEX03909.0 R0110A

